

Features

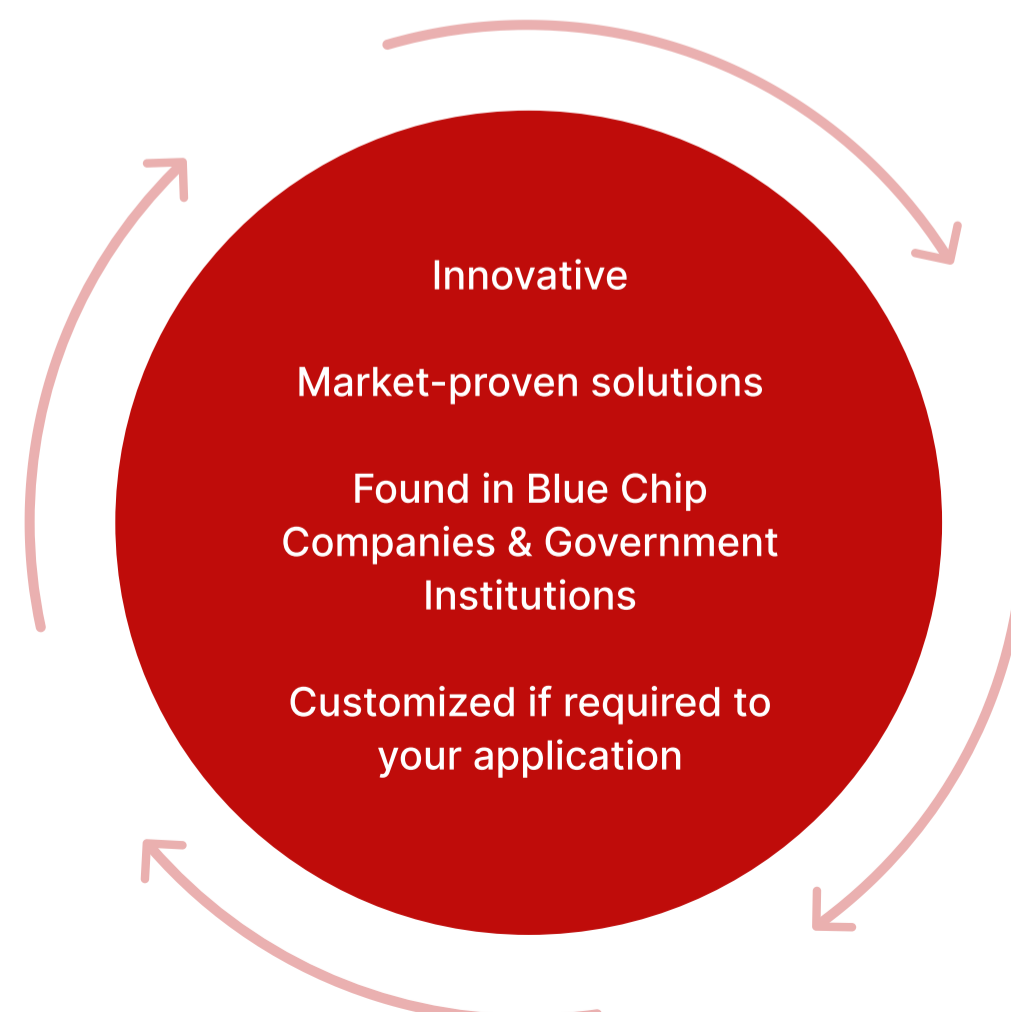
- Heavy-duty walls and a reinforced base plate made from 304-grade stainless steel.
- Continuous welded and beaded construction.
- Rolled edge rim, reinforced with inner solid bar
- Diamond-shaped wheelset for 360-degree movement.
- Lifting lugs as standard – to fit all standard lifting devices.
- Front-mounted drip guard
- Beak tipping v edge as standard.
- Tough and durable white nylon wheels as standard.
- Pushing rear handle as standard.
- Electro-polish finish – inside and out – to facilitate easier product emptying, cleaning, and less adherence to water after washing.
- USDA accepted.

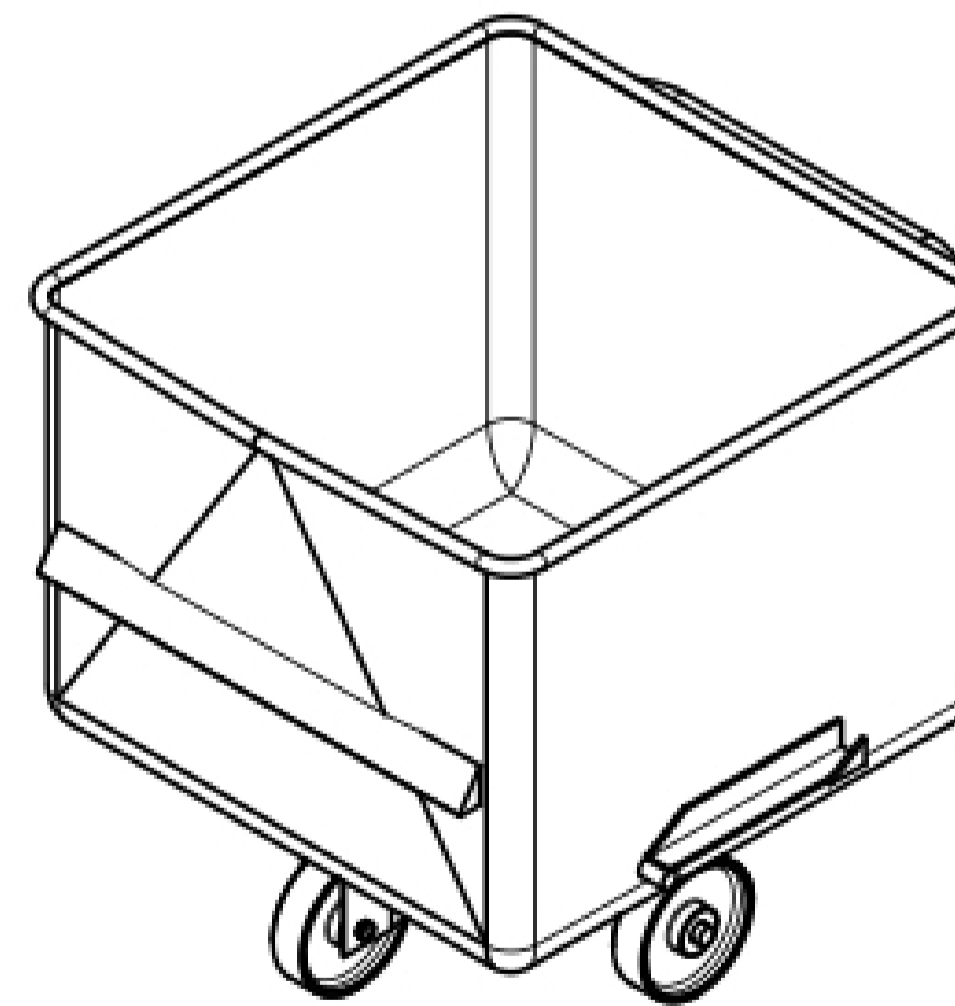
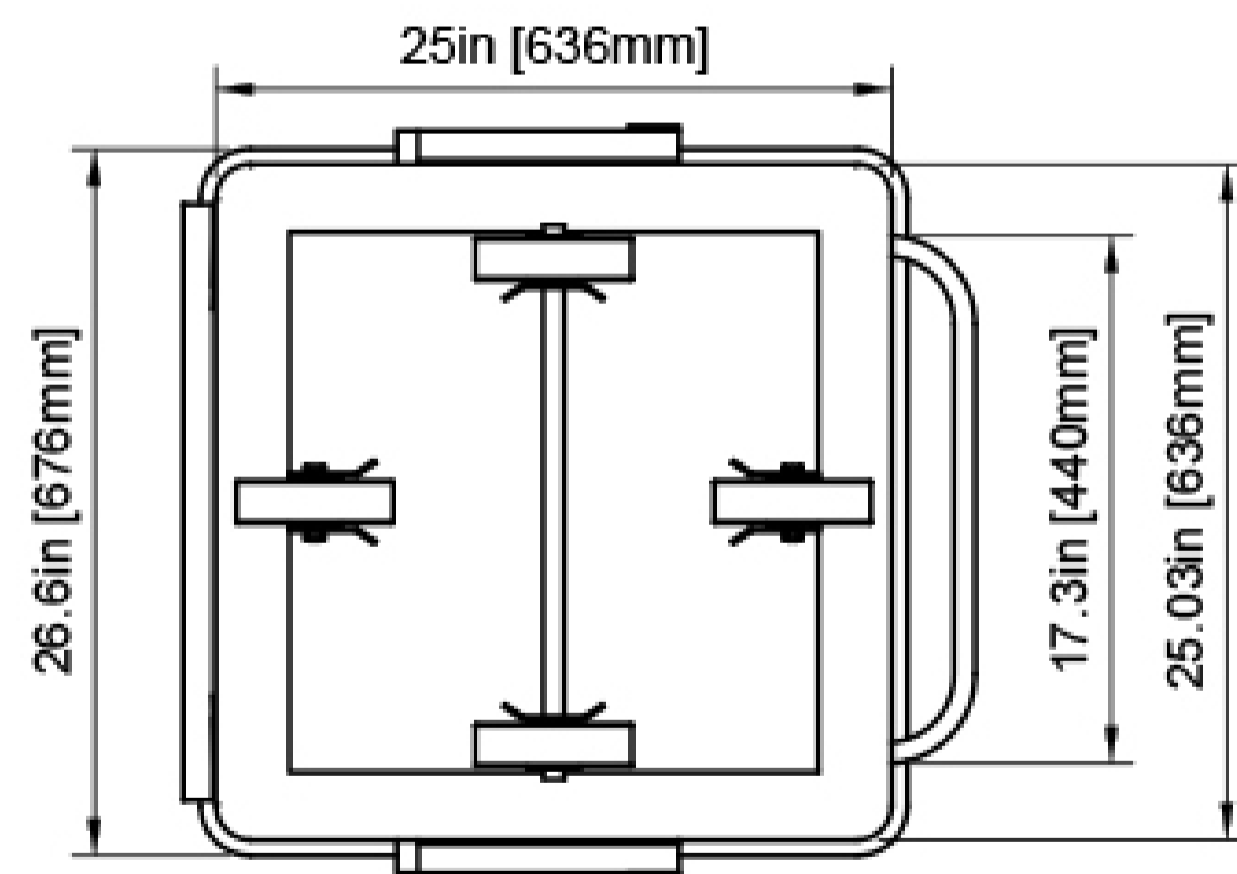
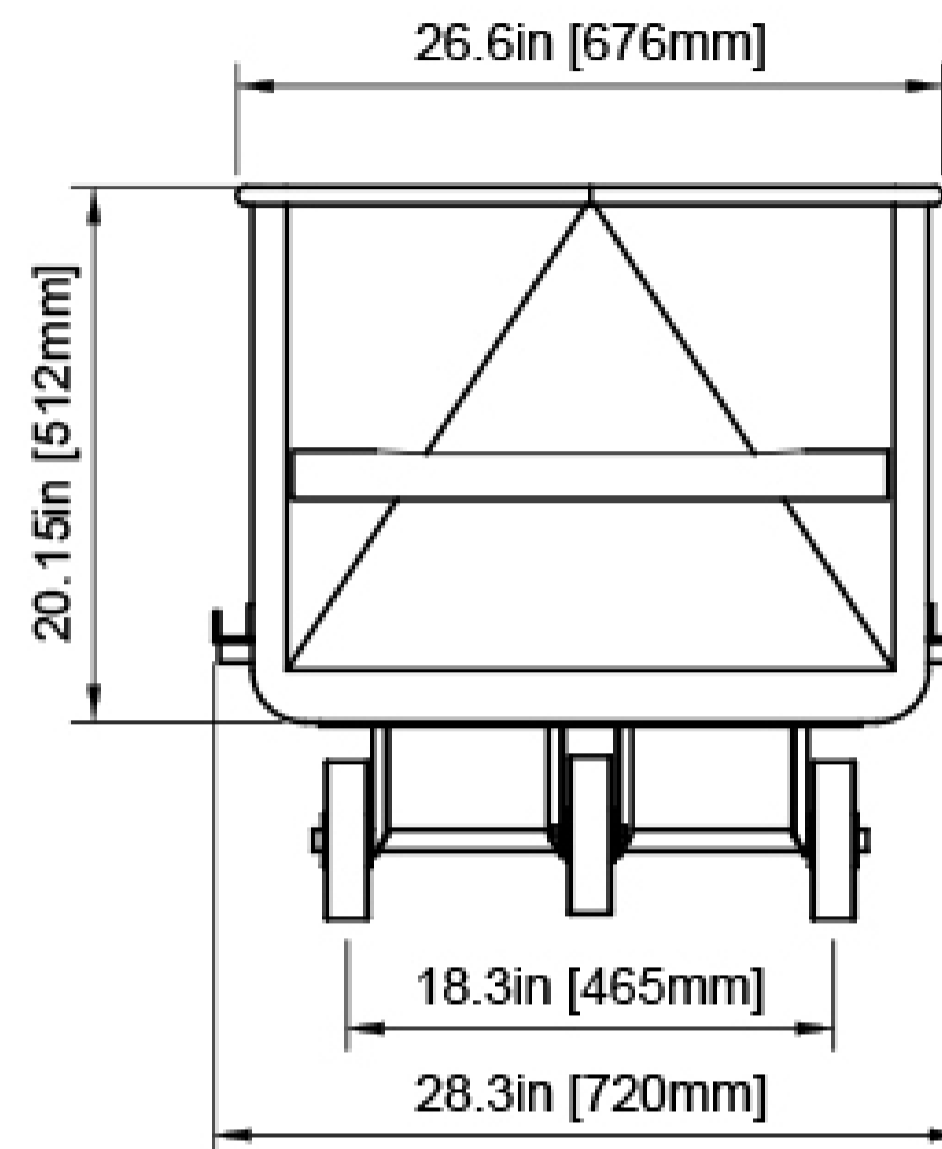
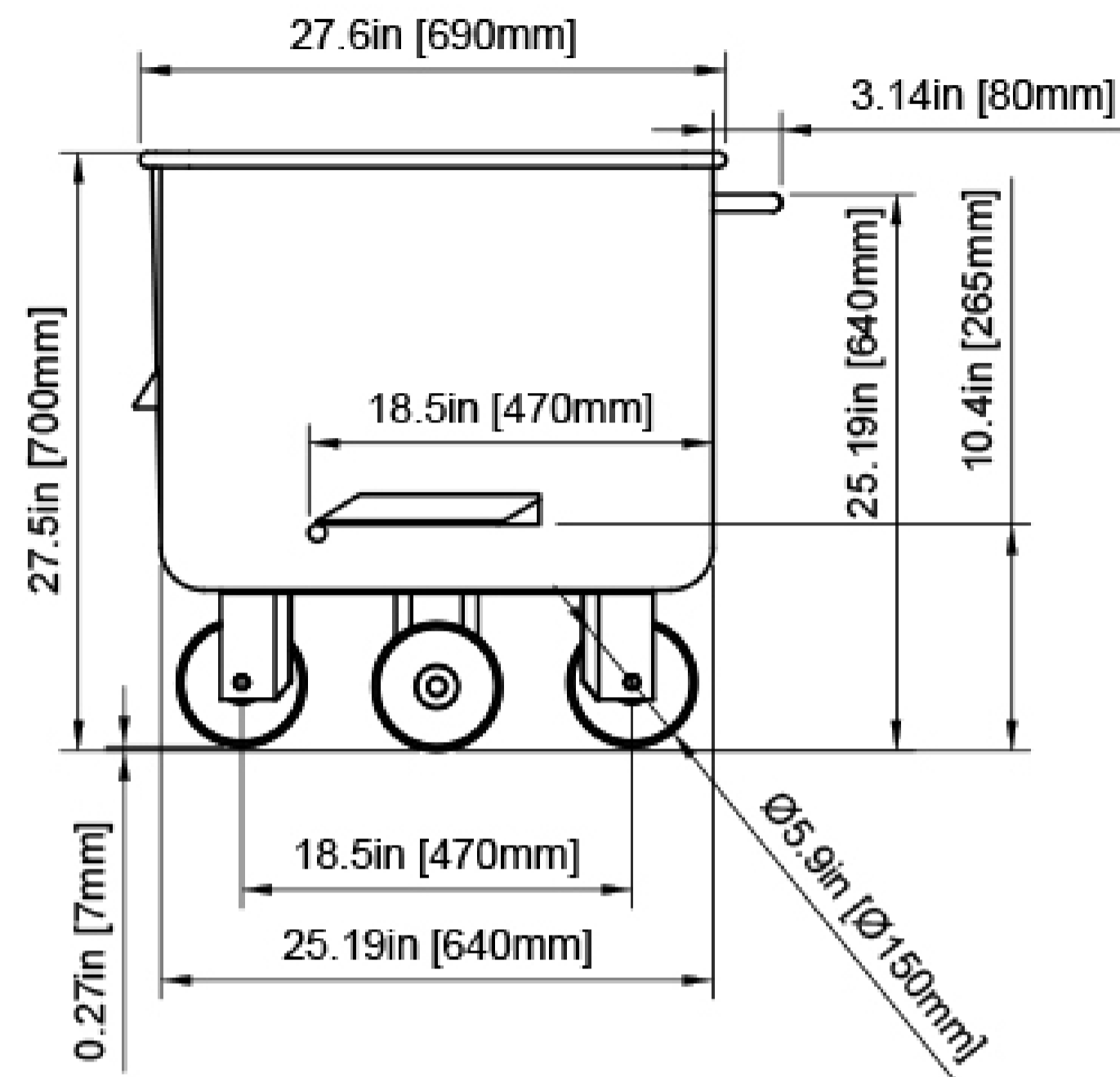
Technical Specifications

- Stainless steel – AISI 304
- Walls made from 5/64" (2mm) 304-grade stainless steel
- Reinforced base made from 3/16" (5mm) 304-grade stainless steel
- 400lbs / 200l dump buggy dimensions – See drawing attached
- 400lbs / 200l dump buggy weight – 88.2lbs / 40kg (+/- 0.2)

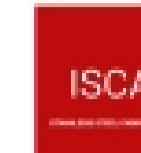
Customized options available

- Non-branded dump buggies (for resellers)
- Detachable base – an ultra-hygienic option (see separate listing)
- Wheel color
- Valve drain
- Perforated walls
- Filter inserts
- Extended push handle





ISCA
Stainless Steel Fabrication



PROPRIETARY AND CONFIDENTIAL
The information contained in this drawing is the sole property of ISCA. Any reproduction, in part or as a whole, without the written permission of ISCA is prohibited.

Unless otherwise specified:
Dimensions are in inches [mm]
Surface finish:
Tolerances: Imperial [metric] (M15)
Linear: x.xx (x.xx 0.01)
Angular: xx' 00"

product name:
ISCA - Dump Buggy 400lb

description:
Stainless Steel Dump Buggy

material:
Stainless Steel AISI 304

document type:
PART DETAIL

weight: 88.5 lbs

revision: 001

drawn by: GCD

scale: 1:10

date: 04/09/2024

sheet size: A3

sheet size: 1/1

product no:
ISCA - Dump Buggy 400lb

Wash



Store



Protect & Identify



ISCA Dump Buggy Solutions

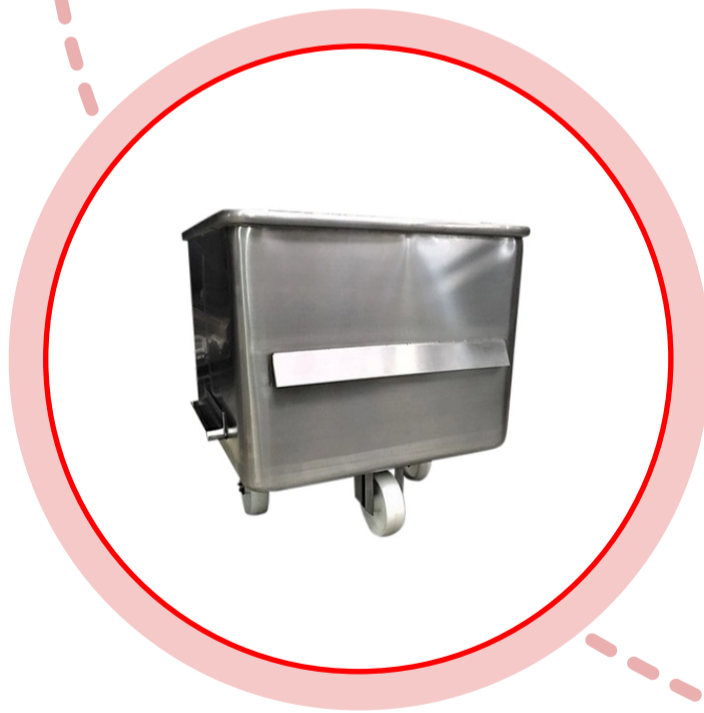
Weigh



Transport



Transfer



Lift + Tip



Mix

