

Features

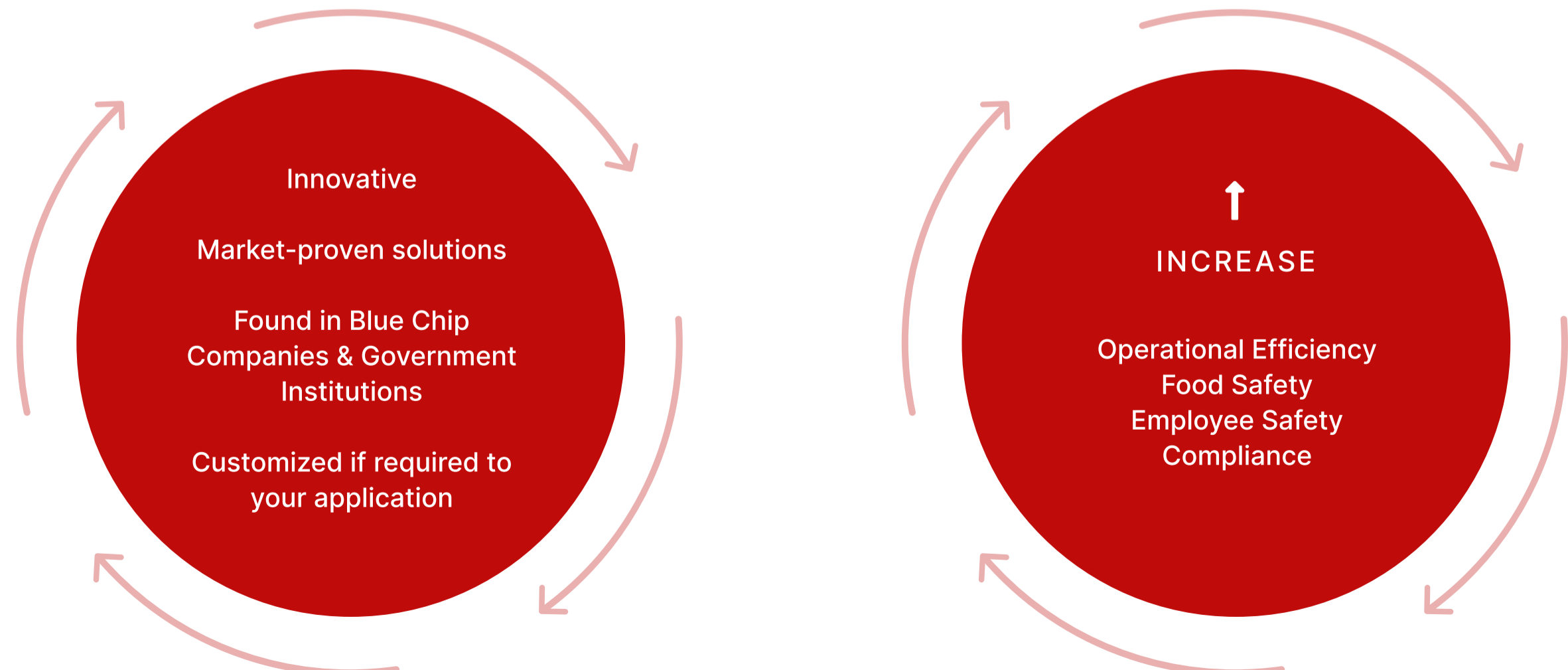
- Heavy-duty walls and a reinforced base plate made from 304-grade stainless steel.
- Continuous welded and beaded construction.
- Rolled edge rim, reinforced with inner solid bar (unlike most competitors' products).
- Diamond-shaped wheelset for 360-degree movement.
- Lifting lugs as standard – to fit all standard lifting devices.
- Front-mounted drip guard
- Beak tipping v edge as standard.
- Tough and durable white nylon wheels as standard.
- Pushing rear handle as standard.
- Electro-polish finish – inside and out – to facilitate easier product emptying, cleaning, and less adherence to water after washing.
- USDA accepted. Built to the highest DIN 9797 Standard.

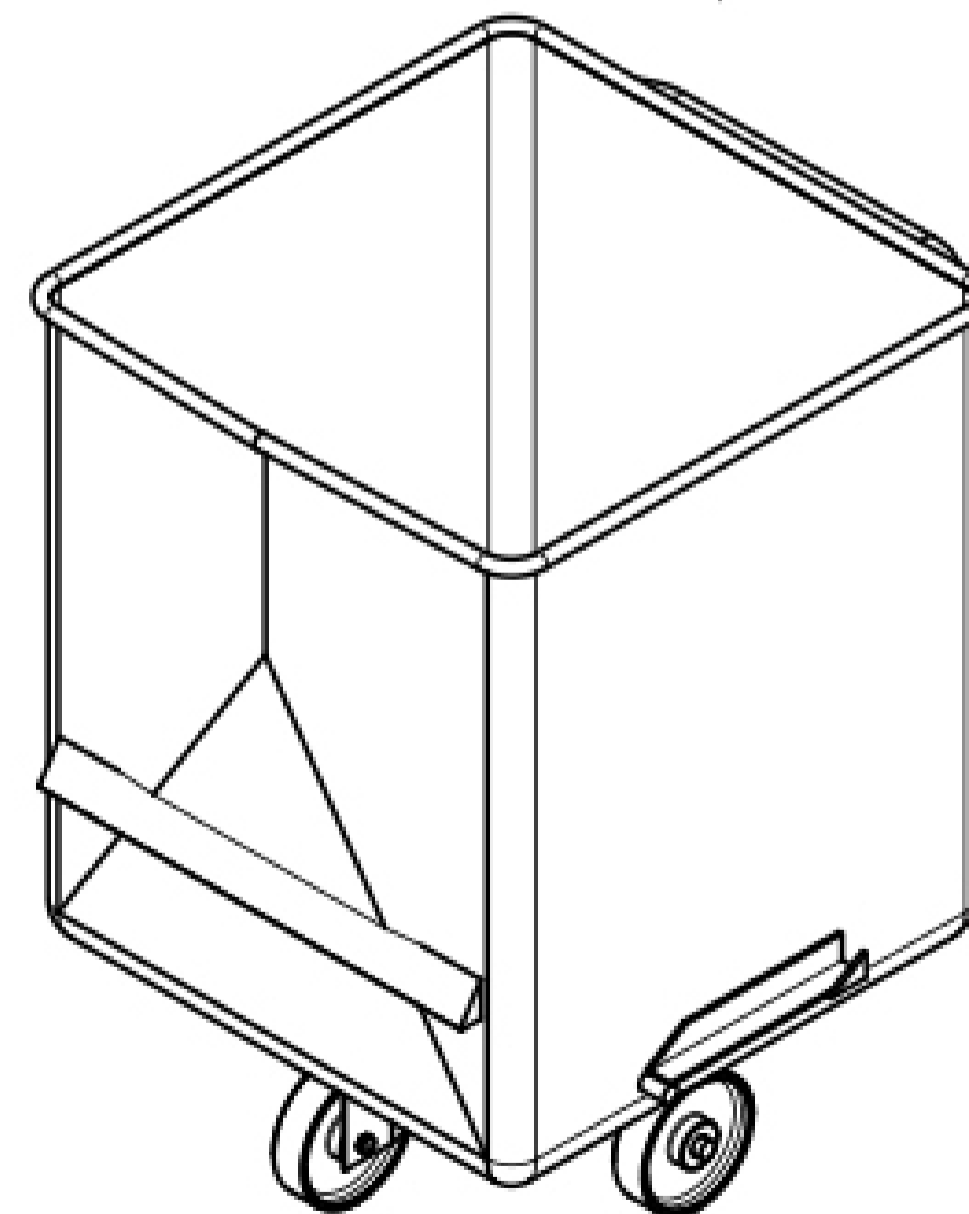
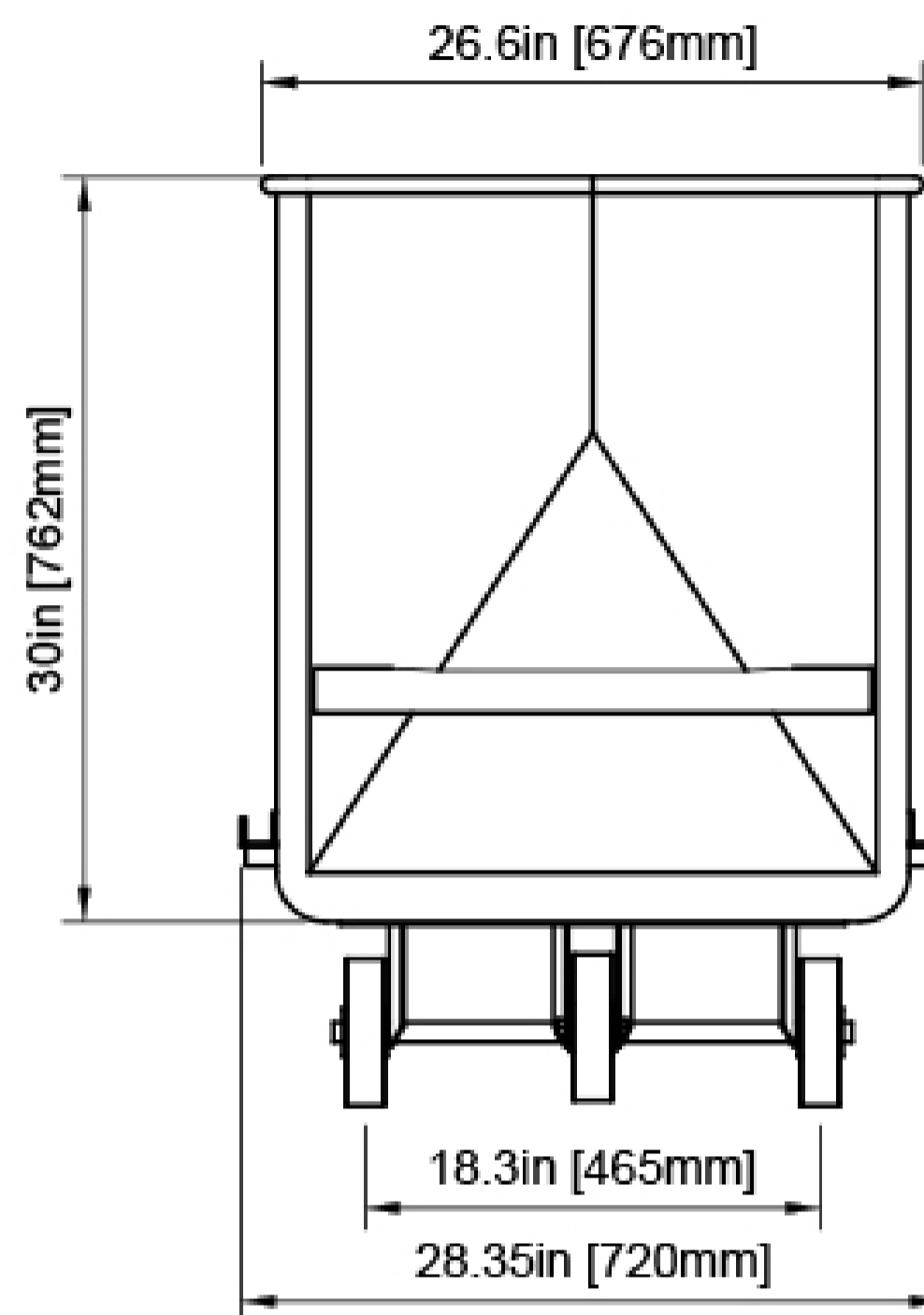
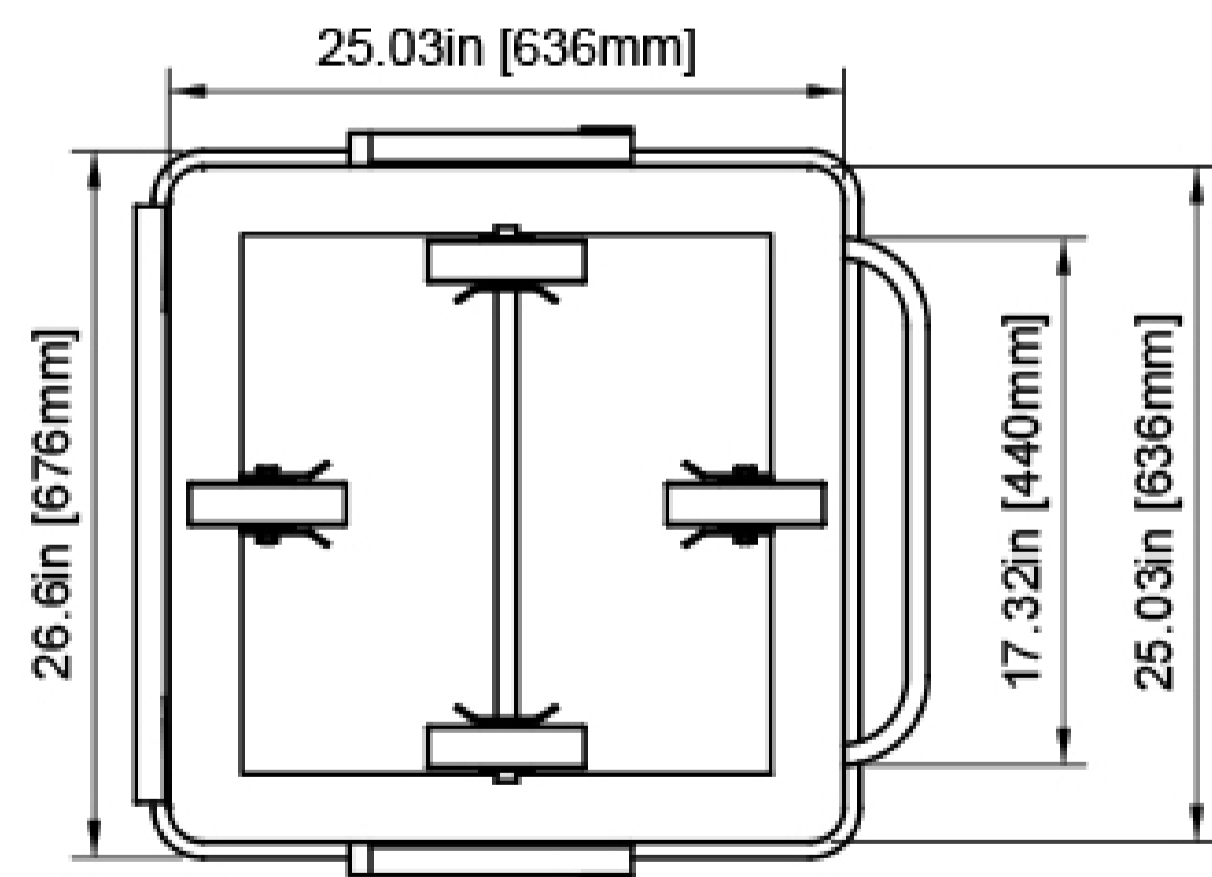
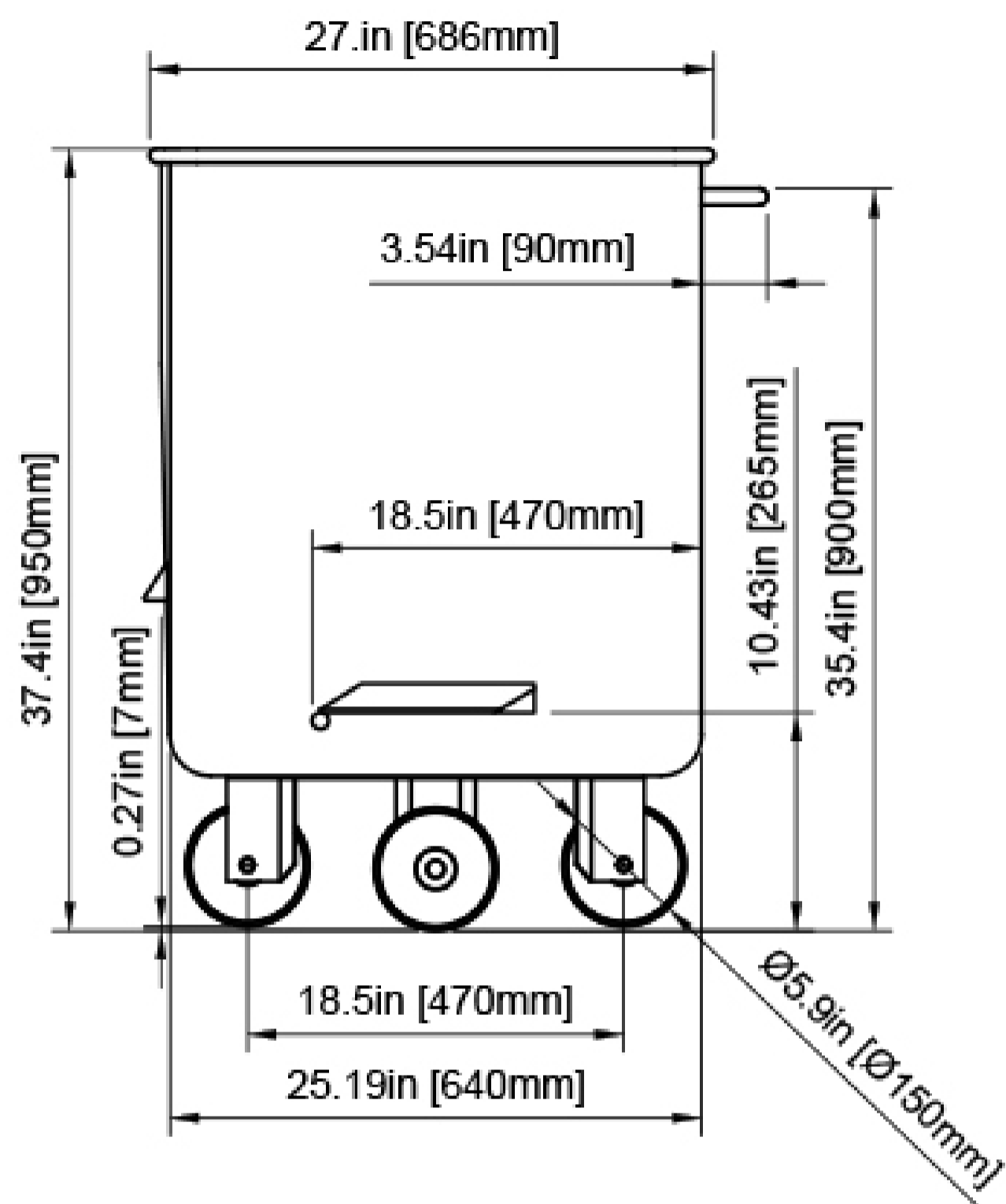
Technical Specifications

- Stainless steel – AISI 304
- Wall Gauge 14 – 5/64" (2mm) 304-grade stainless steel
- Base Gauge 7 – 3/16" (5mm) 304-grade stainless steel
- Dump buggy dimensions – See drawing attached
- Dump buggy weight – 110.2lbs (50kg) (+/- 0.2)

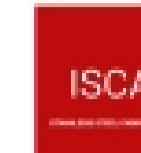
Customized options available

- Detachable base – an ultra-hygienic option (please see separate listing)
- Wheel color
- Valve drain
- Perforated walls
- Filter inserts
- Extended push handle
- Non-branded dump buggies (for resellers)





ISCA
Stainless Steel Fabrication



PROPRIETARY AND CONFIDENTIAL
The information contained in this drawing is the sole property of ISCA. Any reproduction, in part or as a whole, without the written permission of ISCA is prohibited.

Unless otherwise specified:
Dimensions are in inches [mm]
Surface finish:
Tolerances: Imperial [metric (M)]
Linear: .xxx (0.2 (xxx 0.0))
Angular: .xx' (0)

product name:

ISCA - Dump Buggy 600lb

description:

Stainless Steel Dump Buggy

material:

Stainless Steel AISI 304

document type:

PART DETAIL

weight:

110.5 lbs

revision:

001

drawn by:

GCD

scale:

1:5

date:

05/09/2024

sheet size:

A3

sheet size:

1/2

product no:

ISCA - Dump Buggy 600lb

Wash



Store



Protect & Identify



ISCA Dump Buggy Solutions

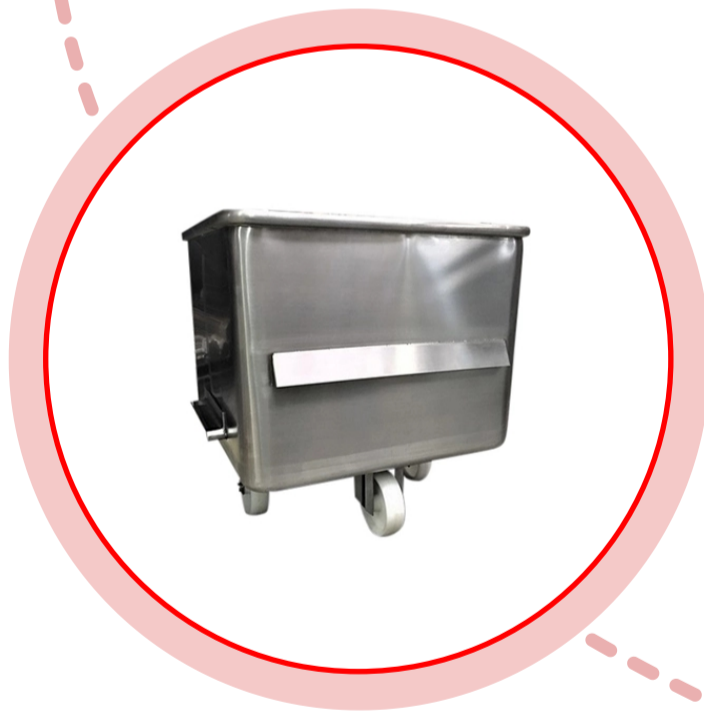
Weigh



Transport



Transfer



Lift + Tip



Mix

