

Features

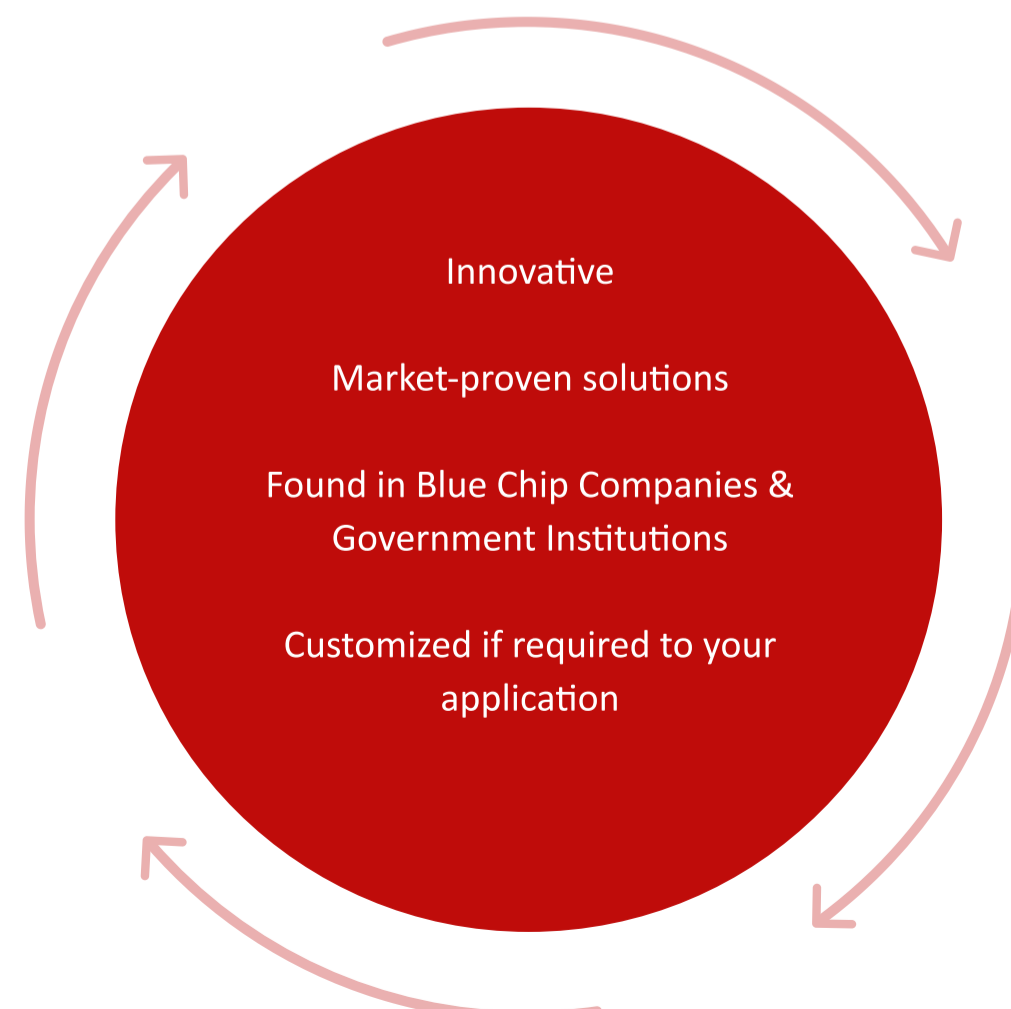
A Stainless steel dump buggy manual wash frame for 200, 400 + 600lb dump buggies.
This is a manual operation that tilts the buggy into a horizontal position to assist in cleaning inside and underneath the buggy.

Features:

- Tough nylon wheels
- Compact system
- Corrosion resistant – Full wash-down design

Technical Specifications

- Material – 304 grade stainless steel
- Nylon wheels



1 2 3 4 5 6 7 8

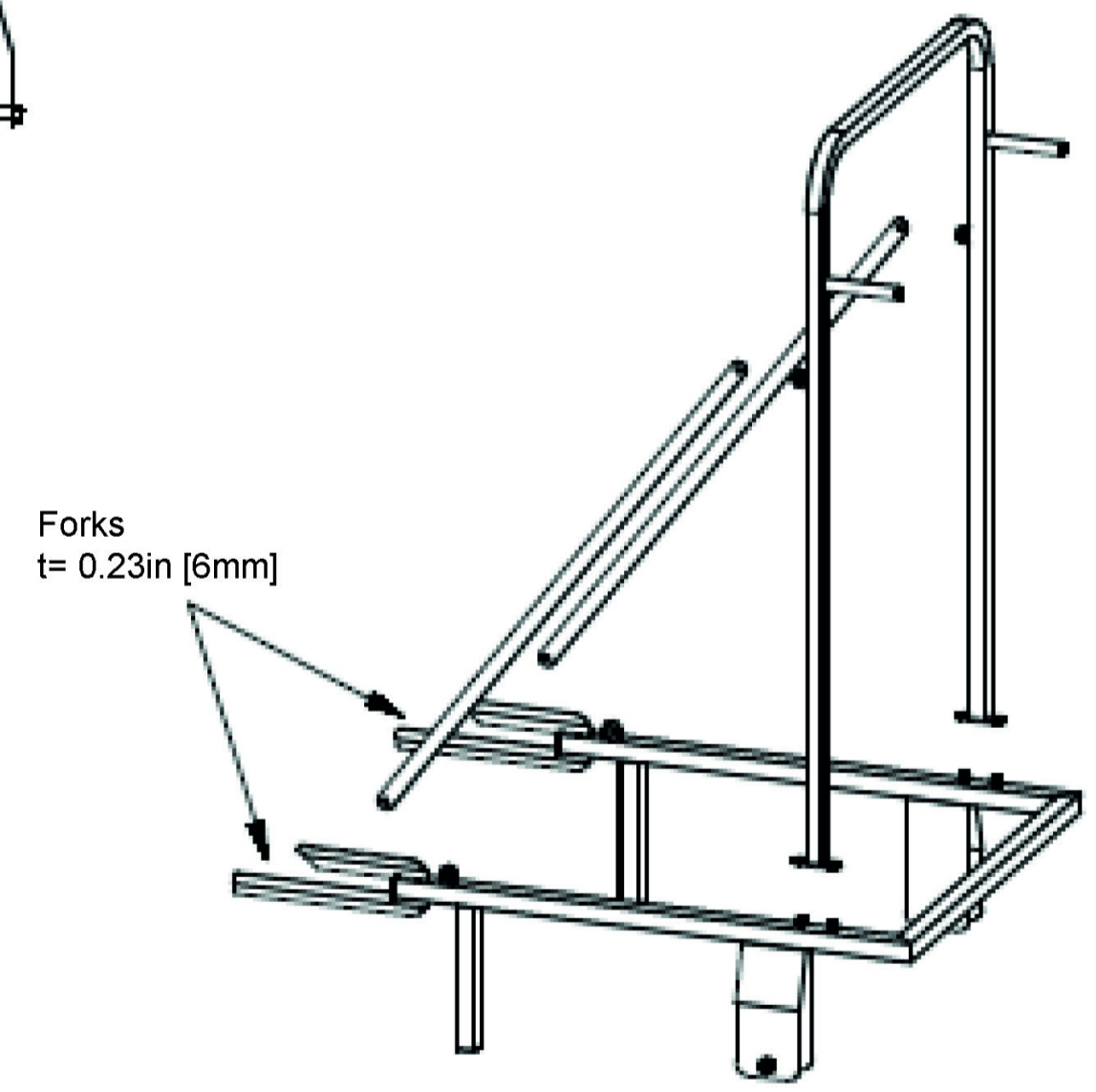
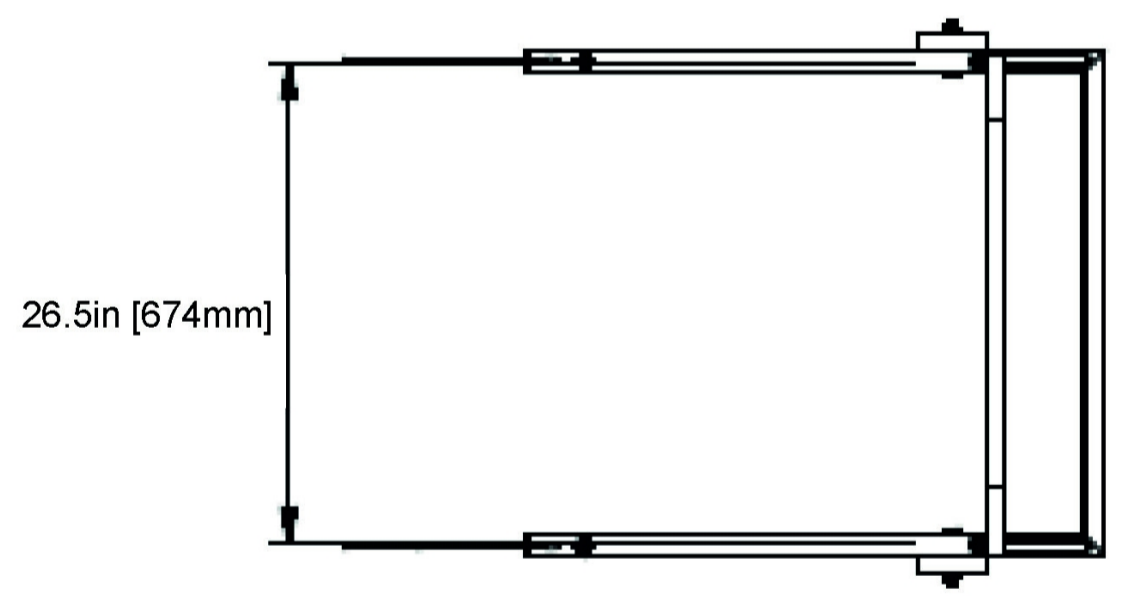
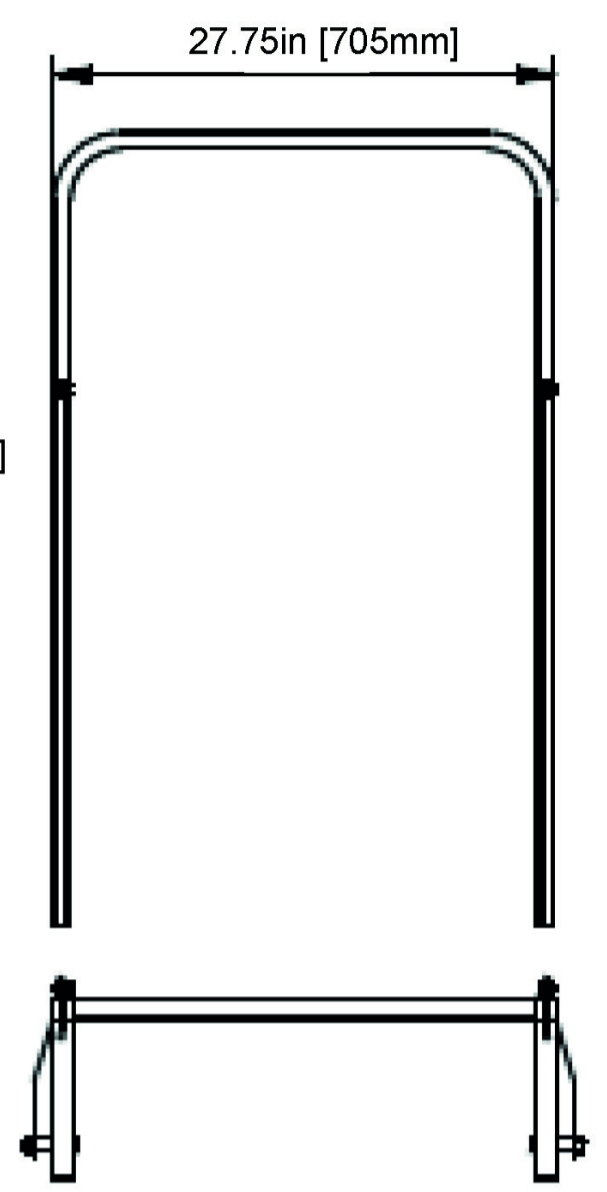
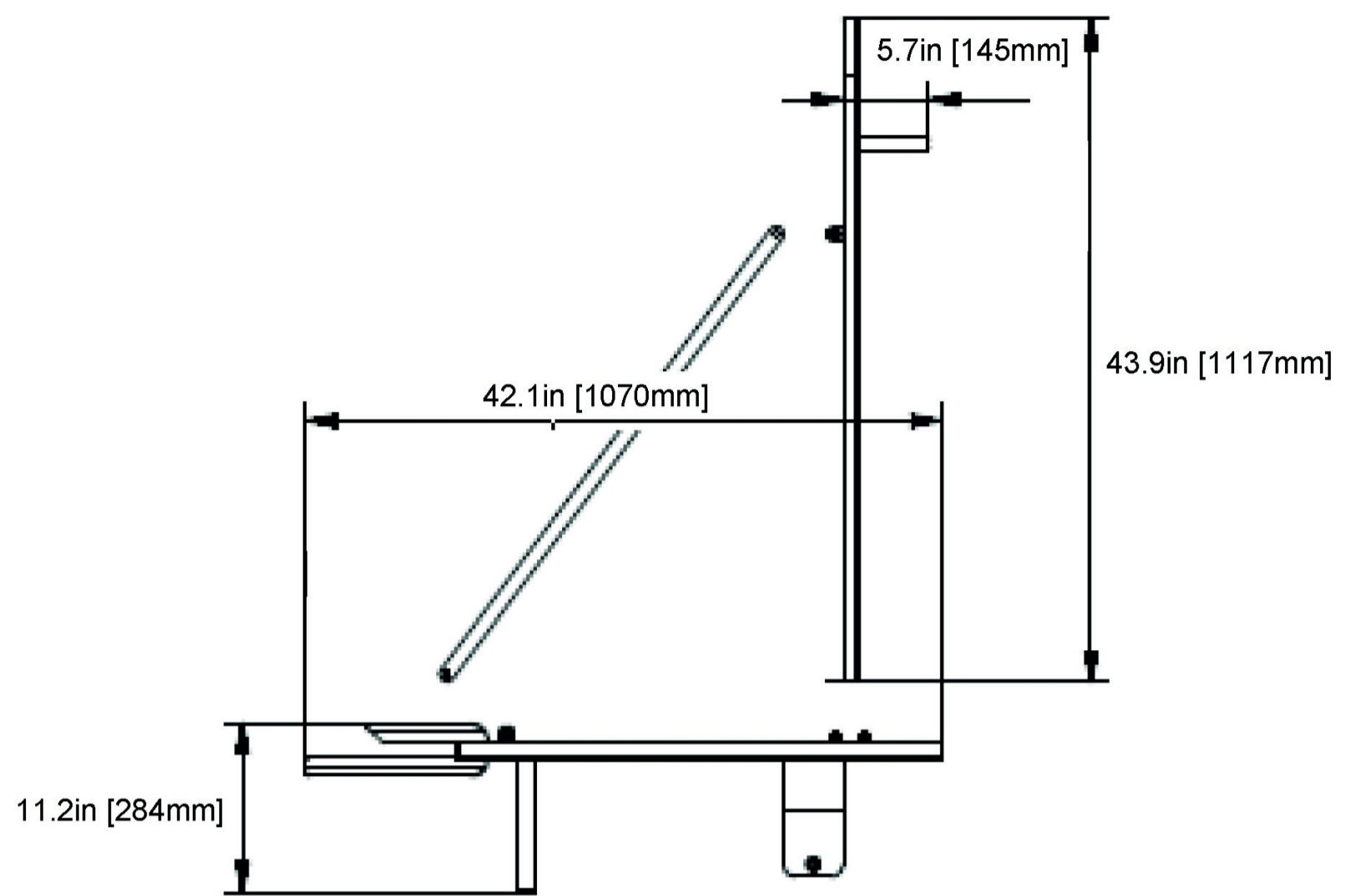
A
B
C
D
E
F



ISCA
Stainless Steel Fabrication

PROPRIETARY AND CONFIDENTIAL
The information contained in this drawing is the sole property of ISCA
Any reproduction, in part or as a whole, without the written permission of ISCA is prohibited.

Unless otherwise specified:
Dimensions are in inches [mm]
Surface finish:
Tolerances: imperial [metric(±15)]
Linear: x.xx 0.2 (.xxx 0.01)
Angular: xx' 010



product no:
**ISCA - Manual Dump
Buggy Wash Frame**

1 2 3 4 5 6 7 8

Wash



Store



Protect & Identify



ISCA Dump Buggy Solutions

Weigh



Transport



Transfer



Lift + Tip



Mix

