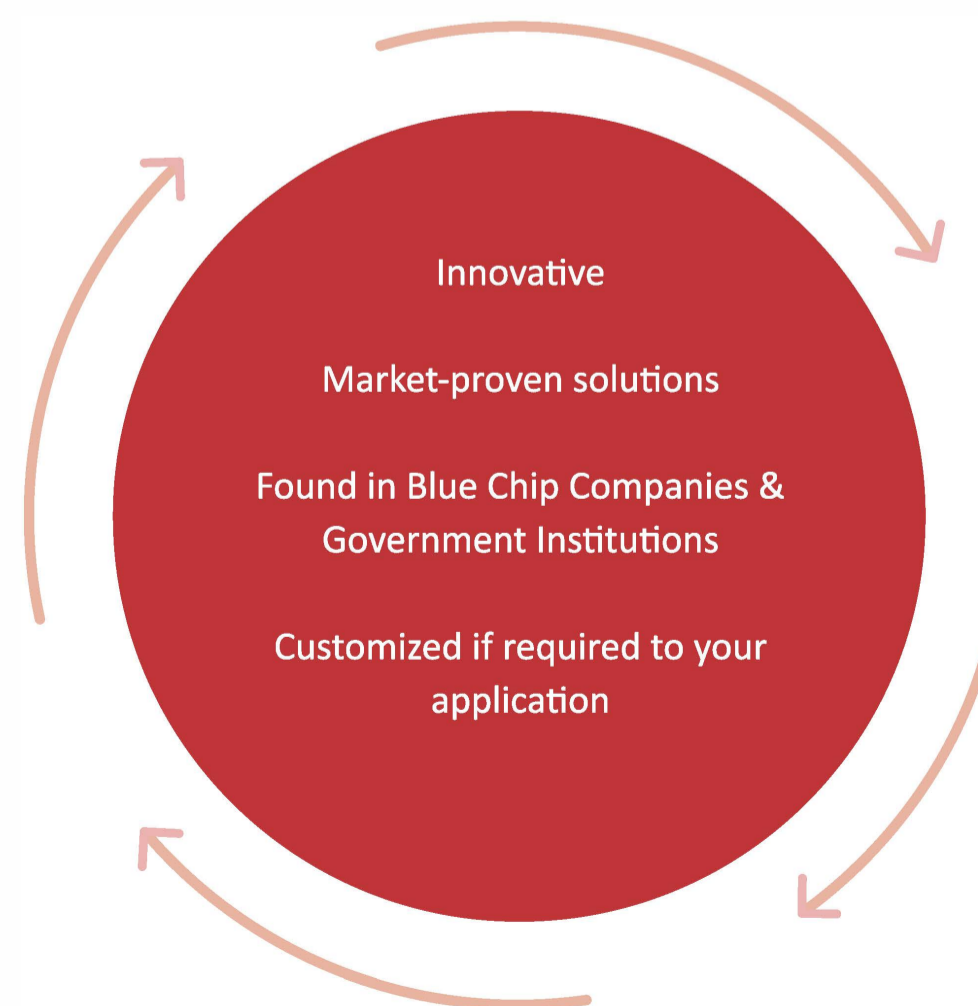


Features

- A stainless steel storage and transport cage for all types of dump buggy.
- This cage holds up to 4 dump buggies, and the cages can be stacked up to three cages high.
- Foot print demand is reduced by 66%.
- Compact design
- Fork lift truck lugs built in to cage for transportation
- Roll in / roll out design

Technical Specifications

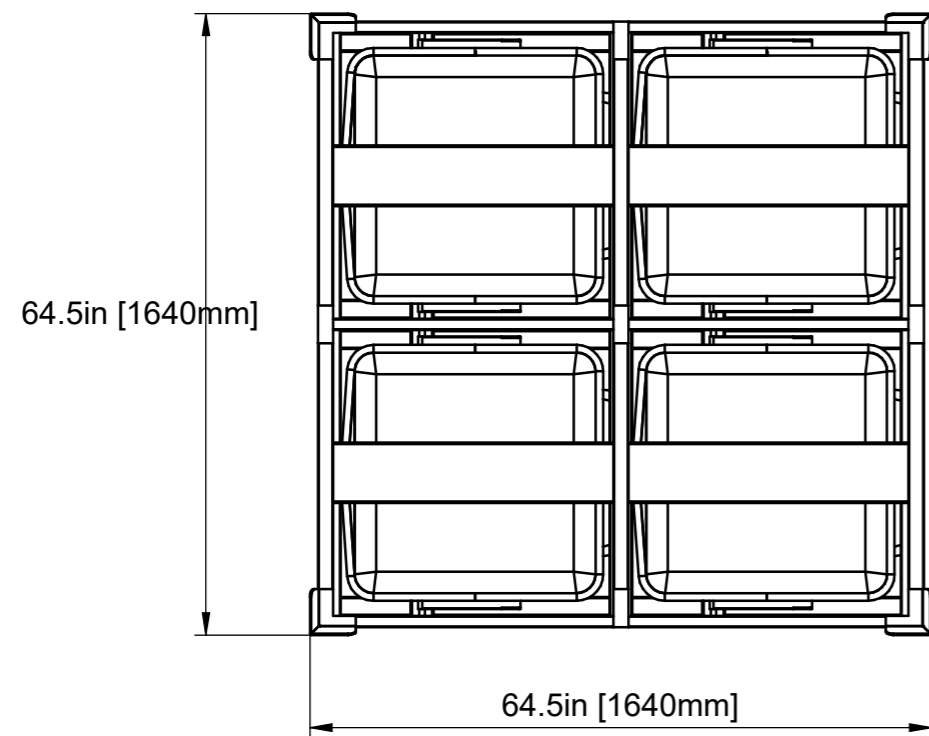
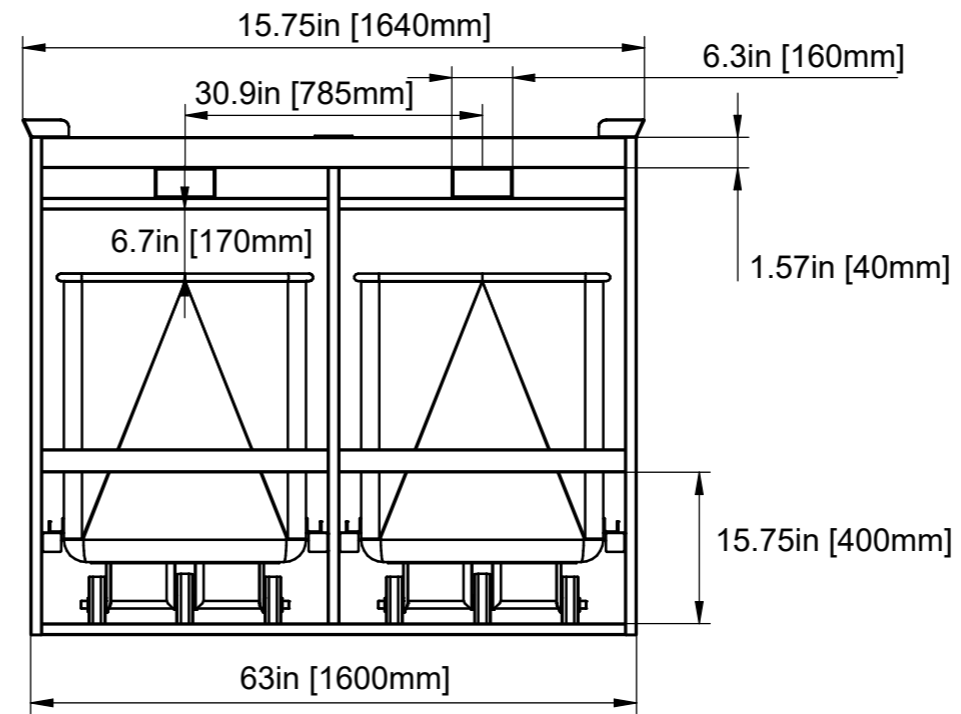
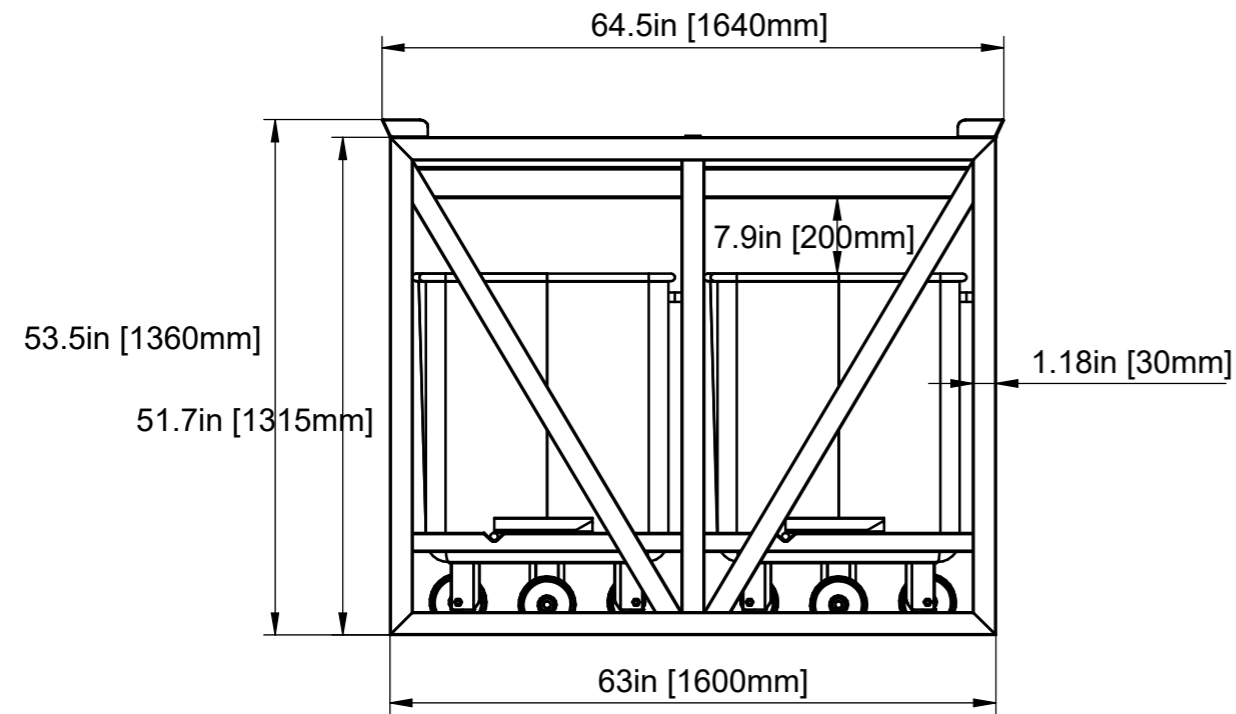
- Material – 304 grade stainless steel





PROPRIETARY AND CONFIDENTIAL
The information contained in this drawing is the sole property of ISCA
Any reproduction, in part or as a whole, without the written permission of ISCA is prohibited.

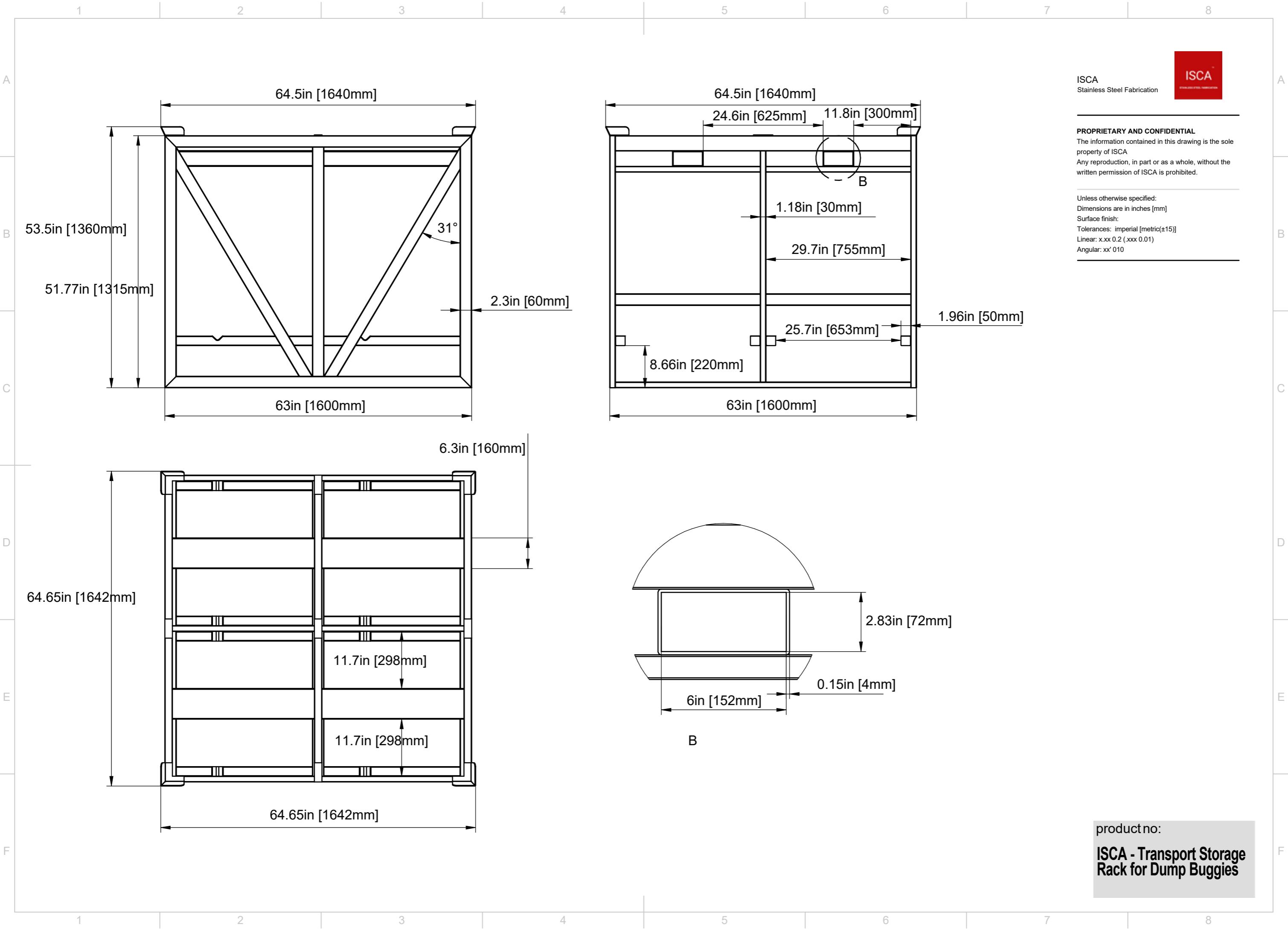
Unless otherwise specified:
Dimensions are in inches [mm]
Surface finish:
Tolerances: imperial [metric(±15)]
Linear: x.xx 0.2 (.xxx 0.01)
Angular: xx' 010



product no:
**ISCA - Transport Storage
Rack for Dump Buggies**

PROPRIETARY AND CONFIDENTIAL
The information contained in this drawing is the sole property of ISCA
Any reproduction, in part or as a whole, without the written permission of ISCA is prohibited.

Unless otherwise specified:
Dimensions are in inches [mm]
Surface finish:
Tolerances: imperial [metric(±15)]
Linear: x.xx 0.2 (.xxx 0.01)
Angular: xx' 010



product no:
**ISCA - Transport Storage
Rack for Dump Buggies**

Weigh



Wash



Store

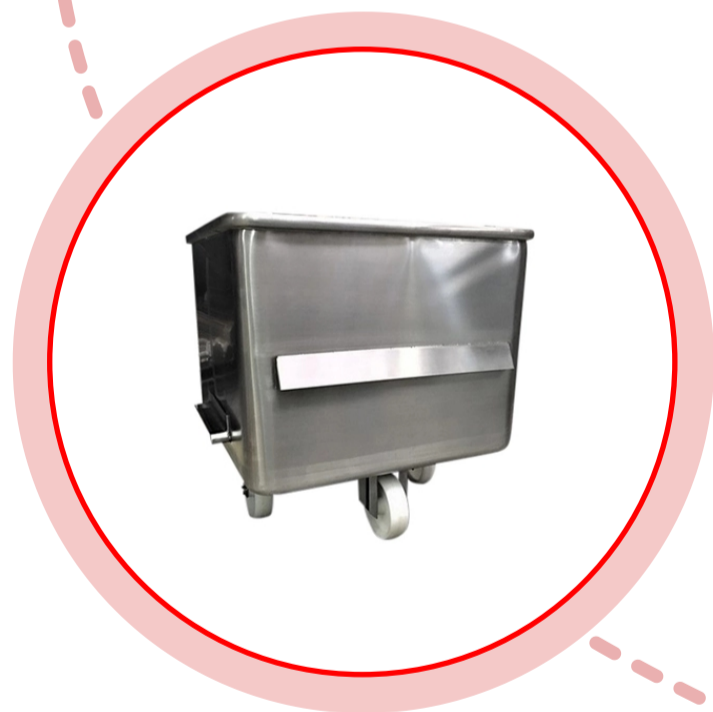


Protect & Identify



ISCA Dump Buggy Solutions

Transfer



Lift + Tip



Mix



Transport

