

Features

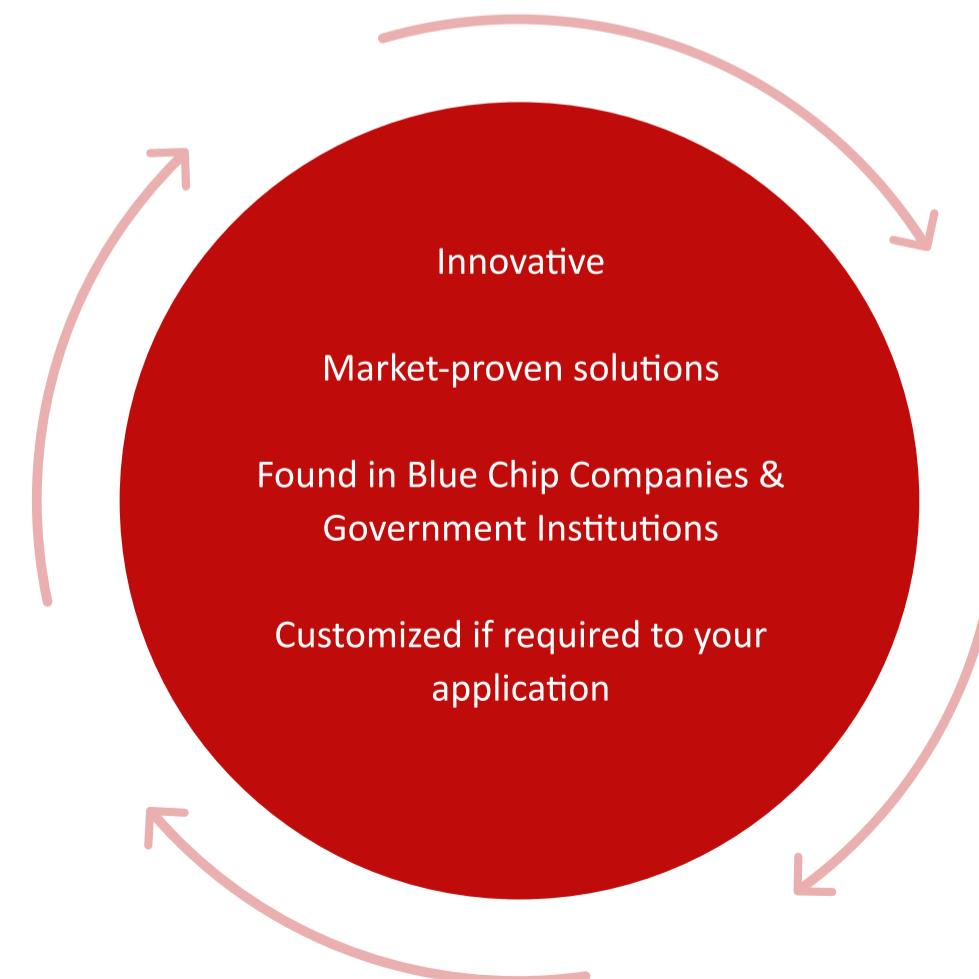
- Heavy-duty, durable design with a wall gauge over double the thickness of most competitor's product (see technical section)
- Lightweight
- Color-coded options for production identification and isolation purposes
- Suitable for both metal and plastic dump buggies from most manufacturers

Technical Specifications

- Material – Polyethylene
- Food safe material – Yes
- Dimensions L x W x H – 29.5 x 27.6 x 5.9" (750 x 700 x 150mm)
- Wall gauge = 0.2" (5mm) (over double the thickness of most competitor's product)
- Weight – 8.8lb

Customized options available

- Colors available: blue, red, yellow, green + white



1 2 3 4 5 6

A

A

ISCA
Stainless Steel Fabrication



PROPRIETARY AND CONFIDENTIAL

The information contained in this drawing is the sole property of ISCA
Any reproduction, in part or as a whole, without the written permission of ISCA is prohibited.

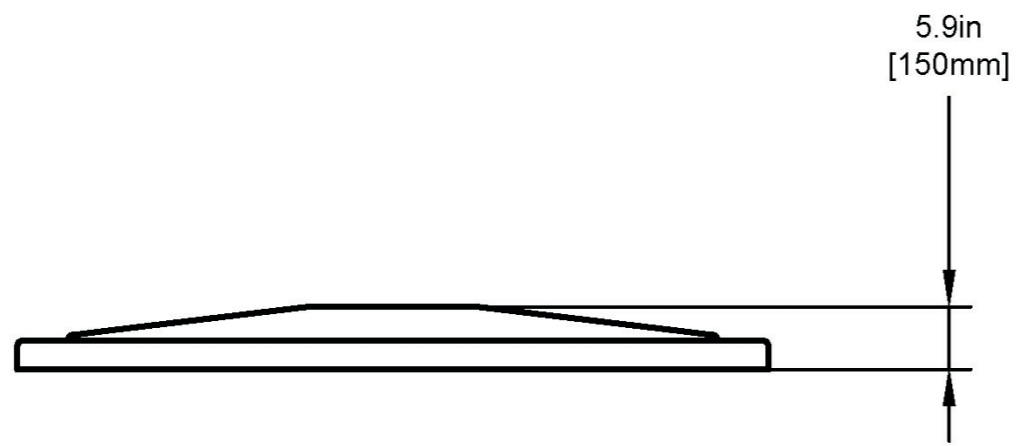
Unless otherwise specified:
Dimensions are in inches [mm]
Surface finish:
Tolerances: imperial [metric(±15)]
Linear: x.xx 0.2 (.xxx 0.01)
Angular: xx' 010

B

B

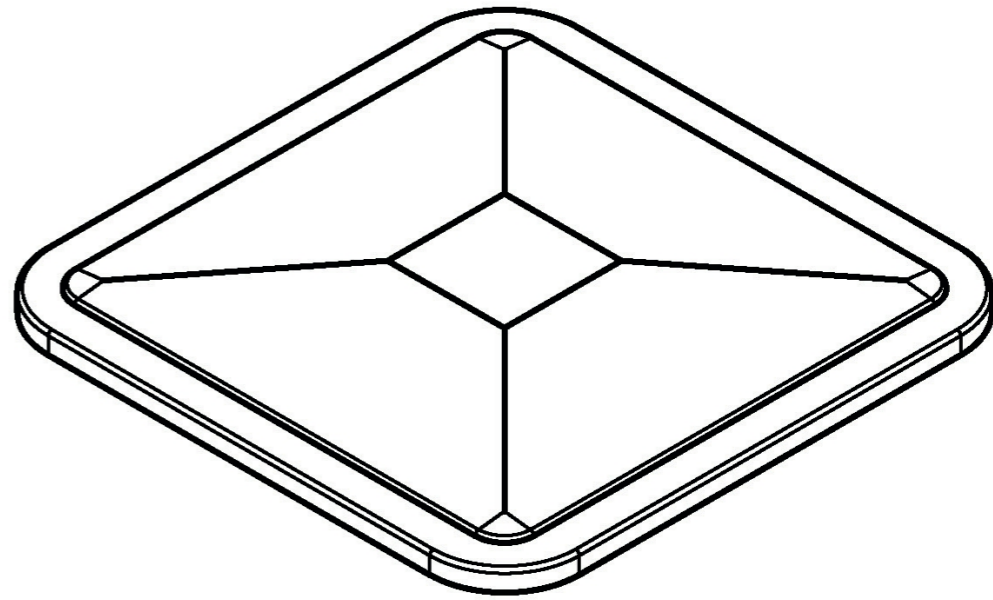
C

C



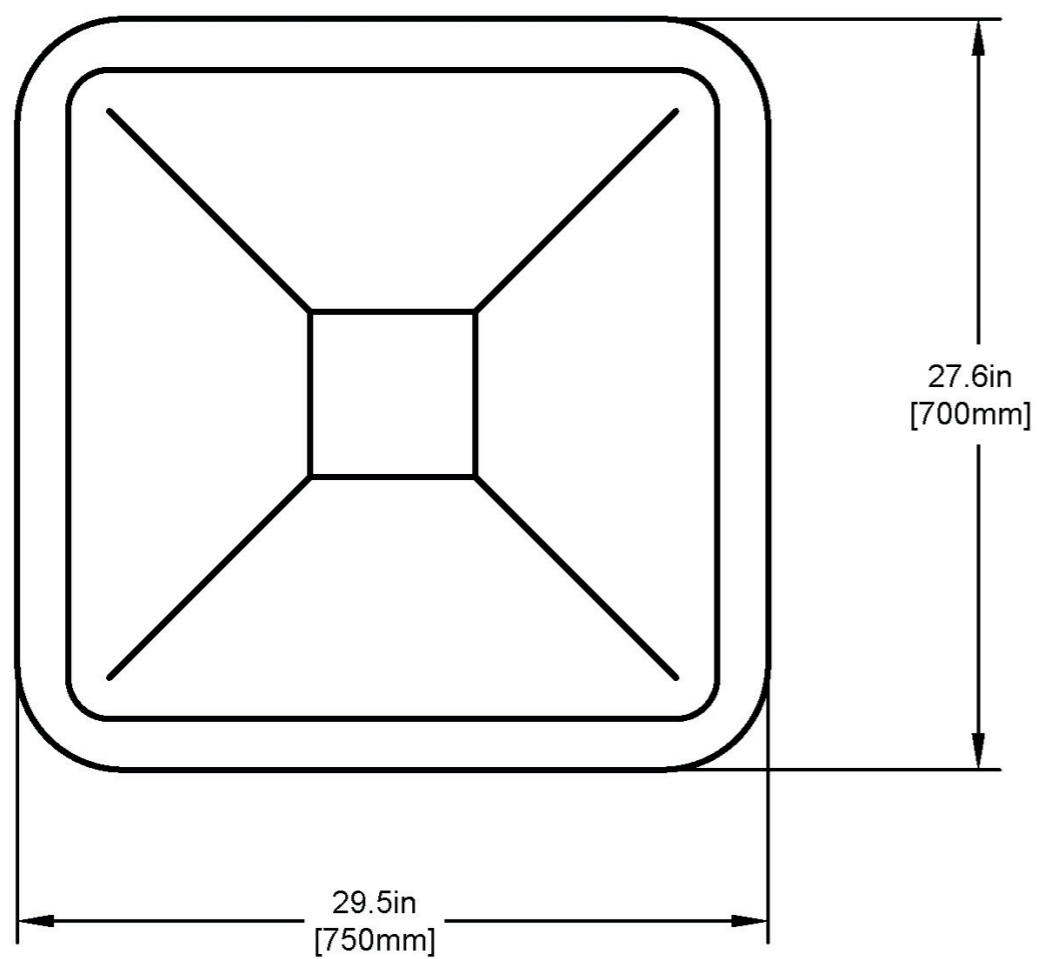
D

D



E

E



F

F

G

G

H

H

product no:

**ISCA- Plastic Dump
Buggy Lid**

1 2 3 4 5 6

Wash



Store



Protect & Identify



ISCA Dump Buggy Solutions

Weigh



Transfer



Lift + Tip



Mix



Transport

