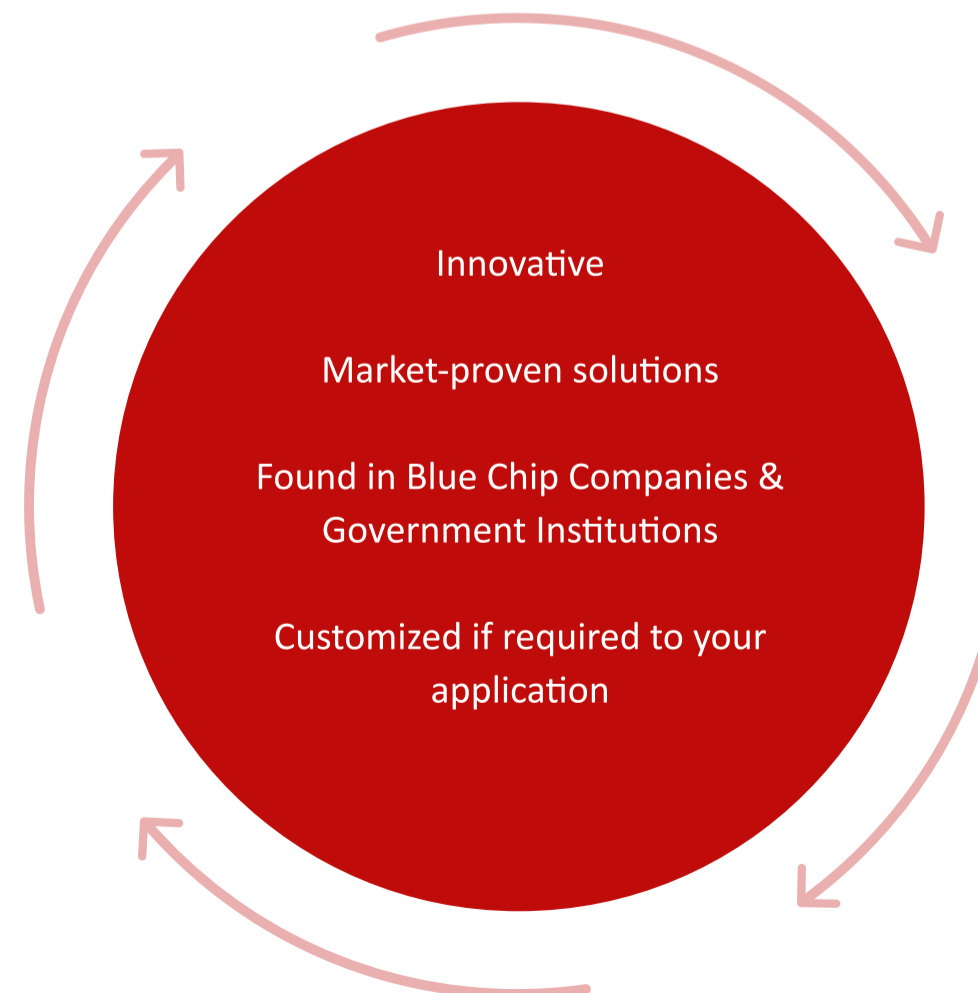


## Features

- Compact design
- Modular design – bays can simply be added on to the ends overtime. The units can be next to a wall, or be placed back to back.
- Roll in/out design
- Accommodates 200, 400 + 600lb dump buggies
- Floor securing feet to fix position
- Relocatable as your requirements change

## Technical Specifications

- Material – 304 grade stainless steel



1 2 3 4 5 6

A

A

ISCA  
Stainless Steel Fabrication

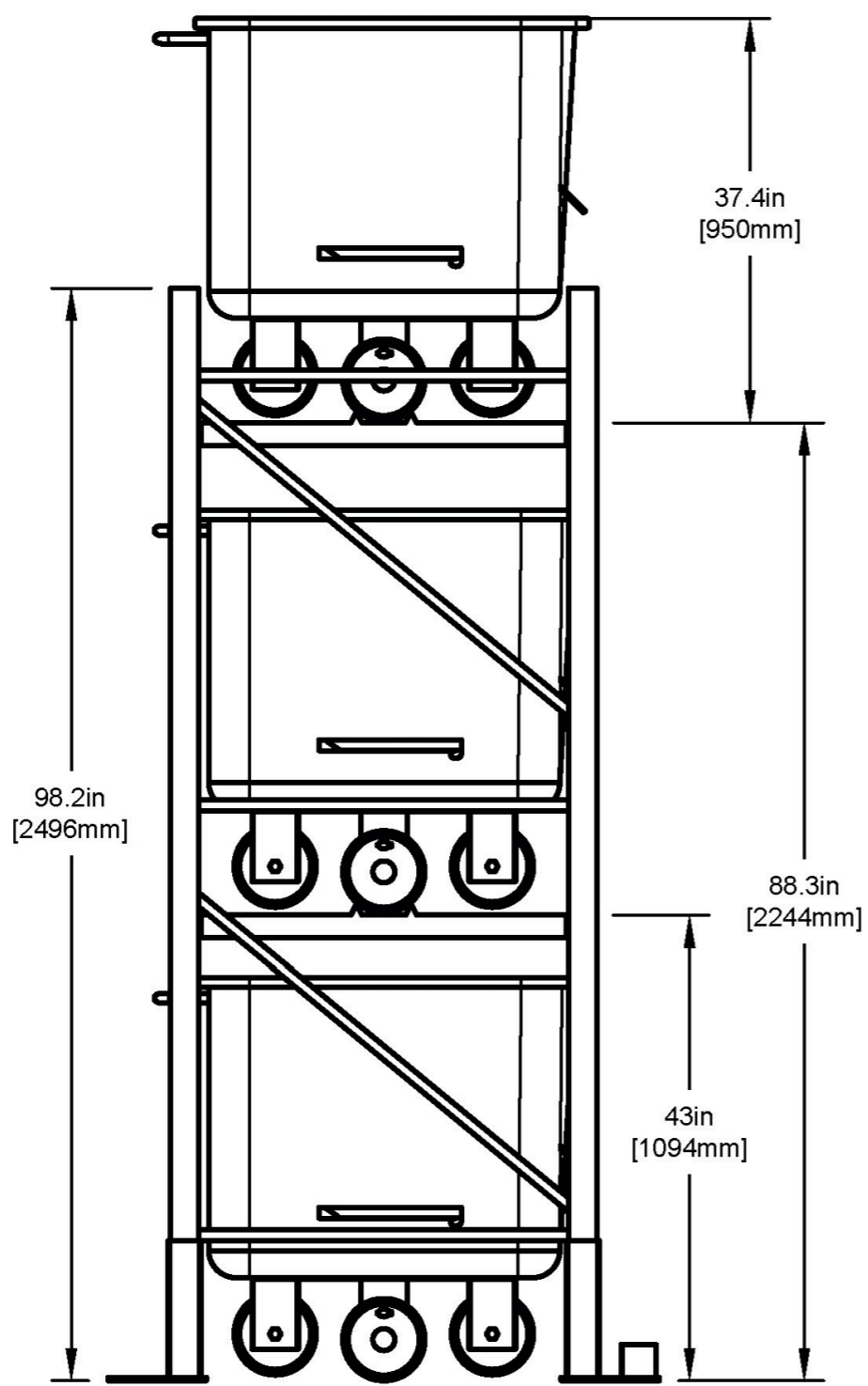


**PROPRIETARY AND CONFIDENTIAL**  
The information contained in this drawing is the sole property of ISCA.  
Any reproduction, in part or as a whole, without the written permission of ISCA is prohibited.

Unless otherwise specified:  
Dimensions are in inches [mm]  
Surface finish:  
Tolerances: imperial [metric(±15)]  
Linear: .xx 0.2 (.xxx 0.01)  
Angular: .xx' 010

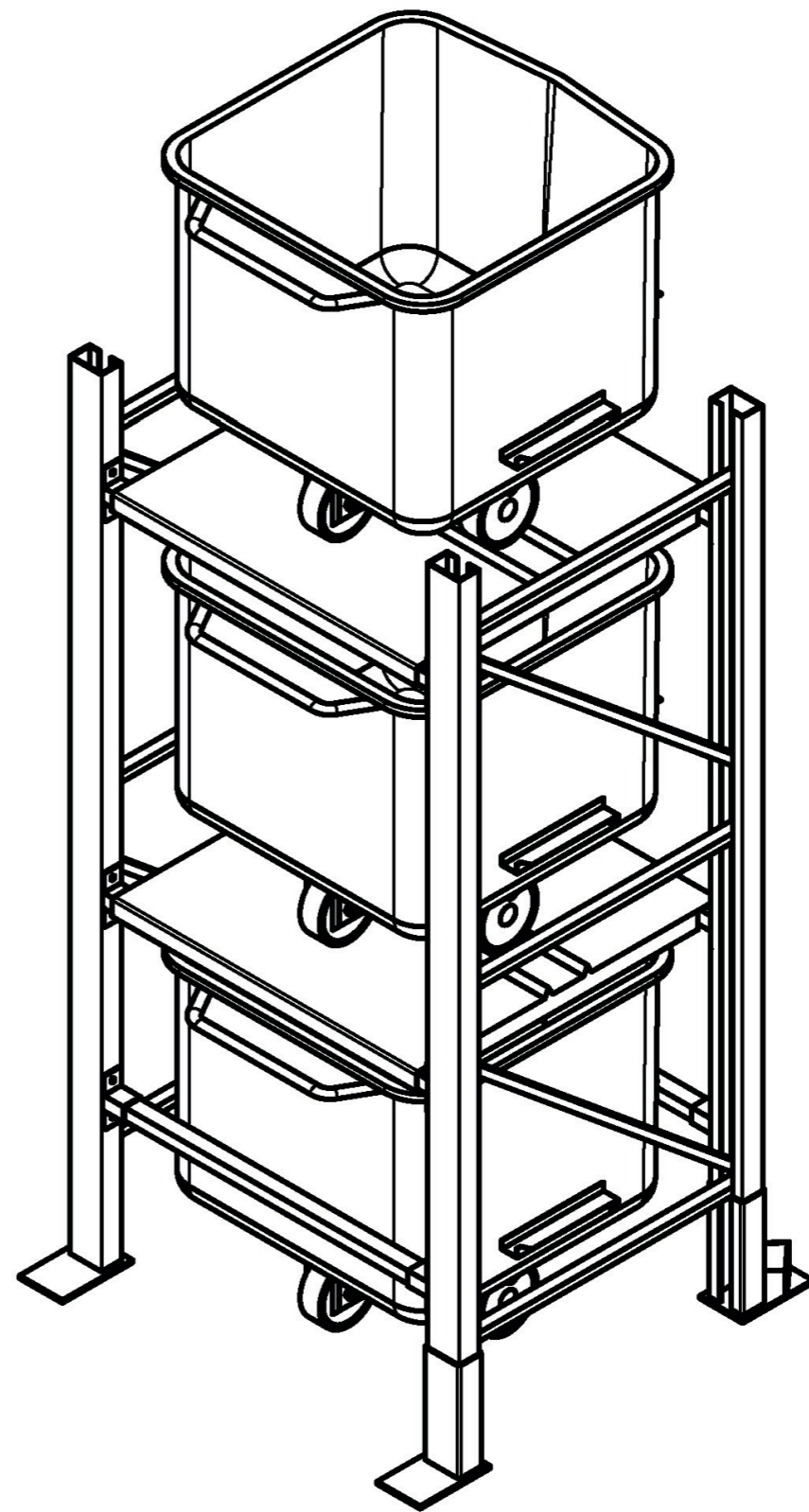
B

B



C

C

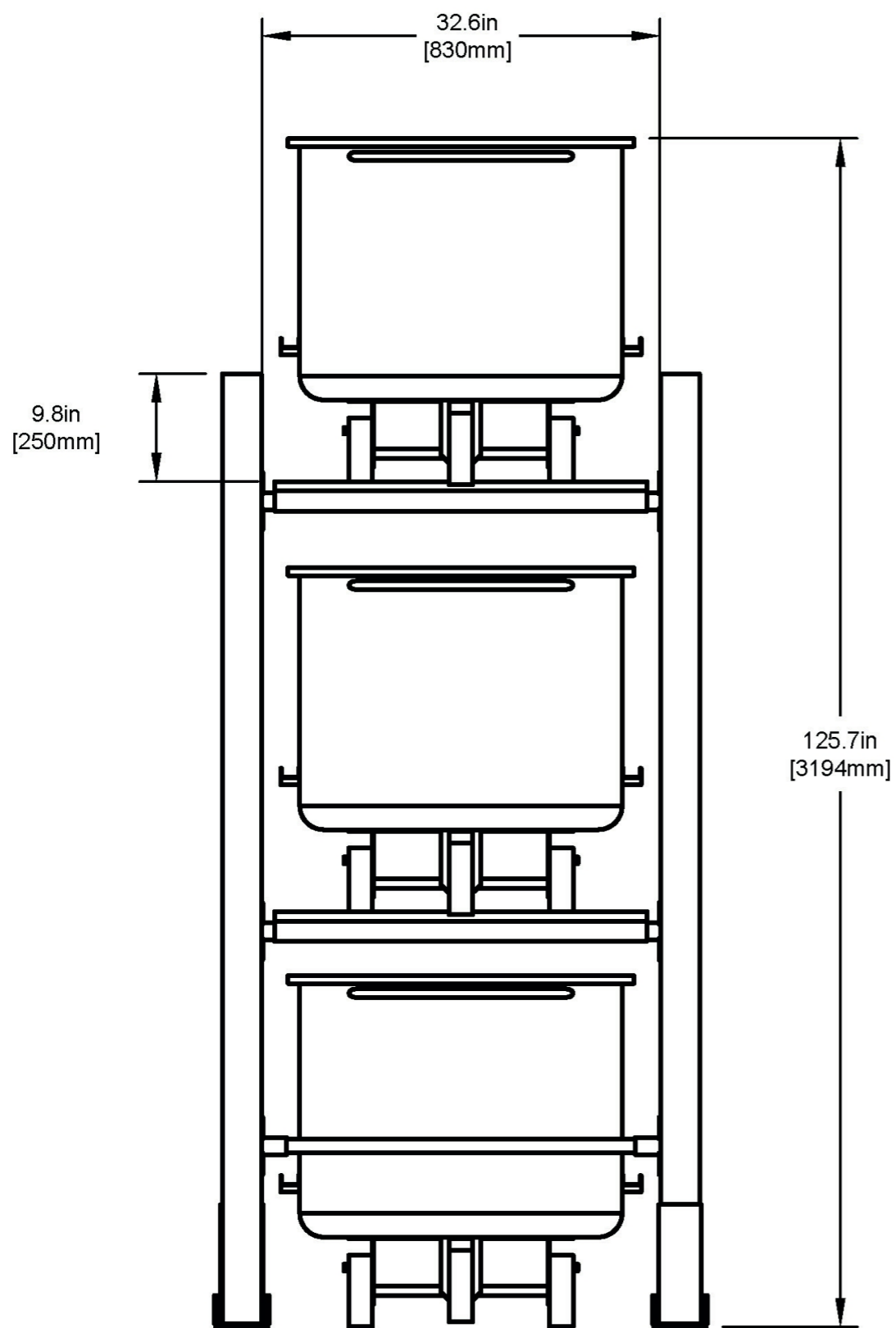


D

D

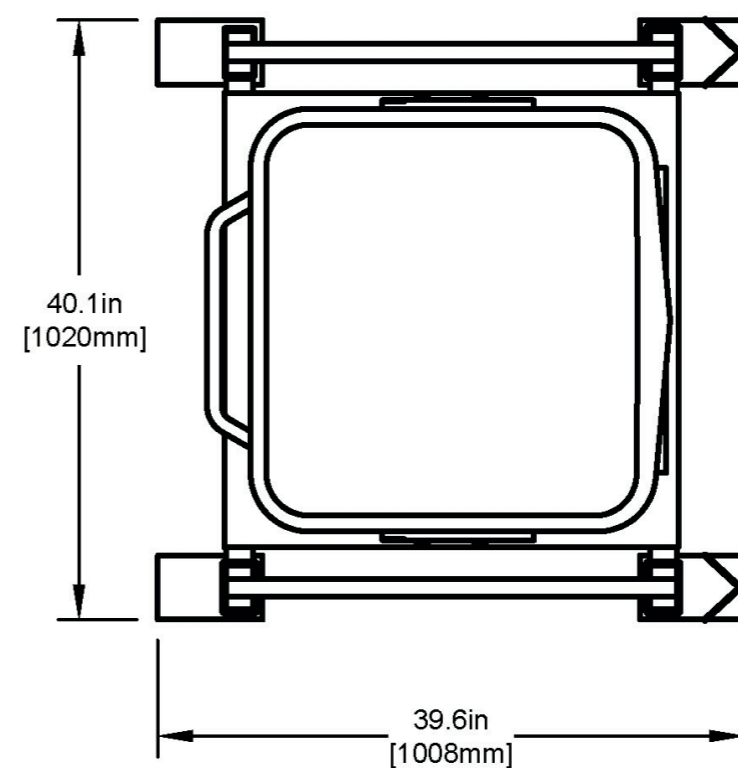
E

E



F

F



G

G

H

H

product no:  
**ISCA - Dump Buggy Storage  
Racking - 600lb - 3 High**

1 2 3 4 5 6

1 2 3 4 5 6

A

B

C

D

E

F

G

H

A

B

C

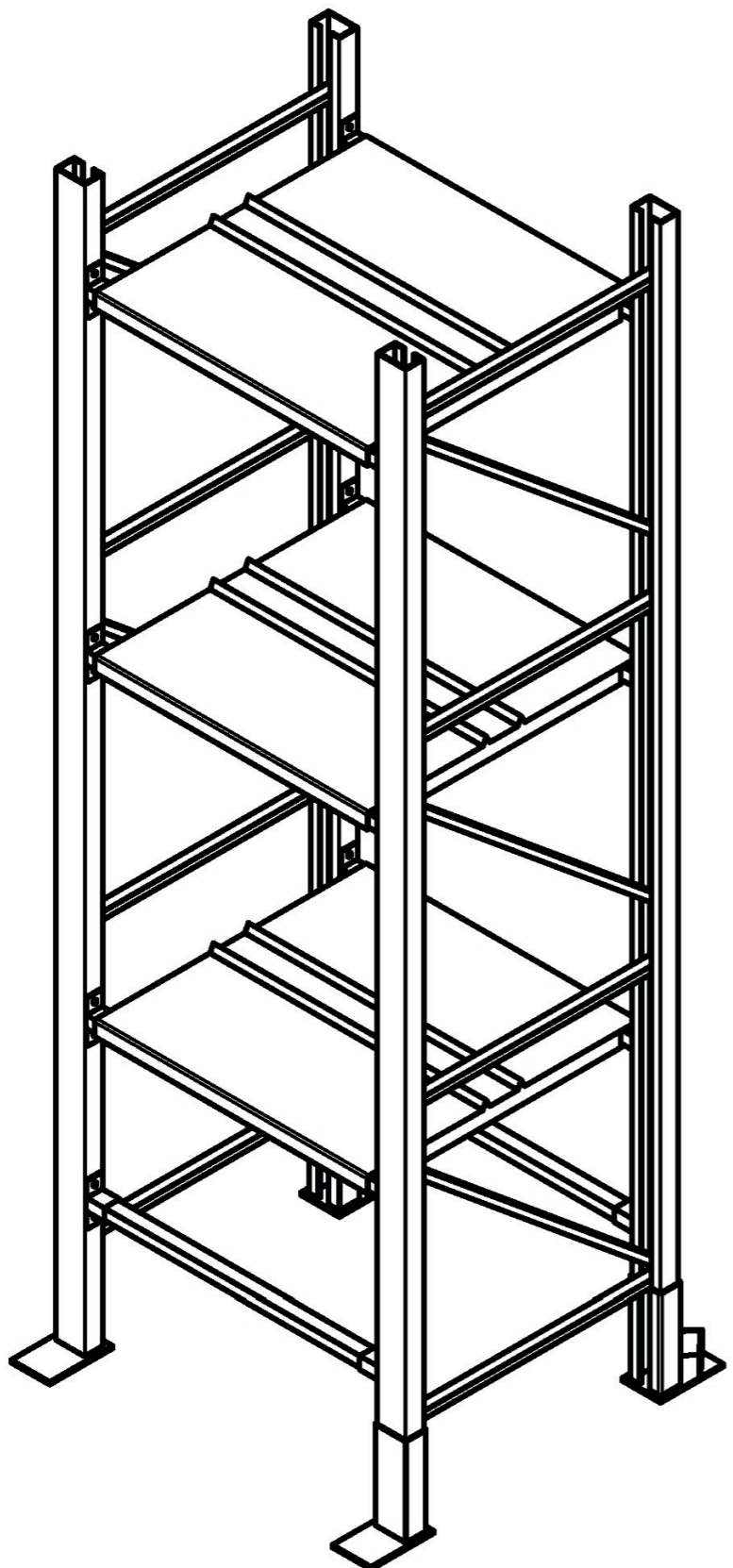
D

E

F

G

H

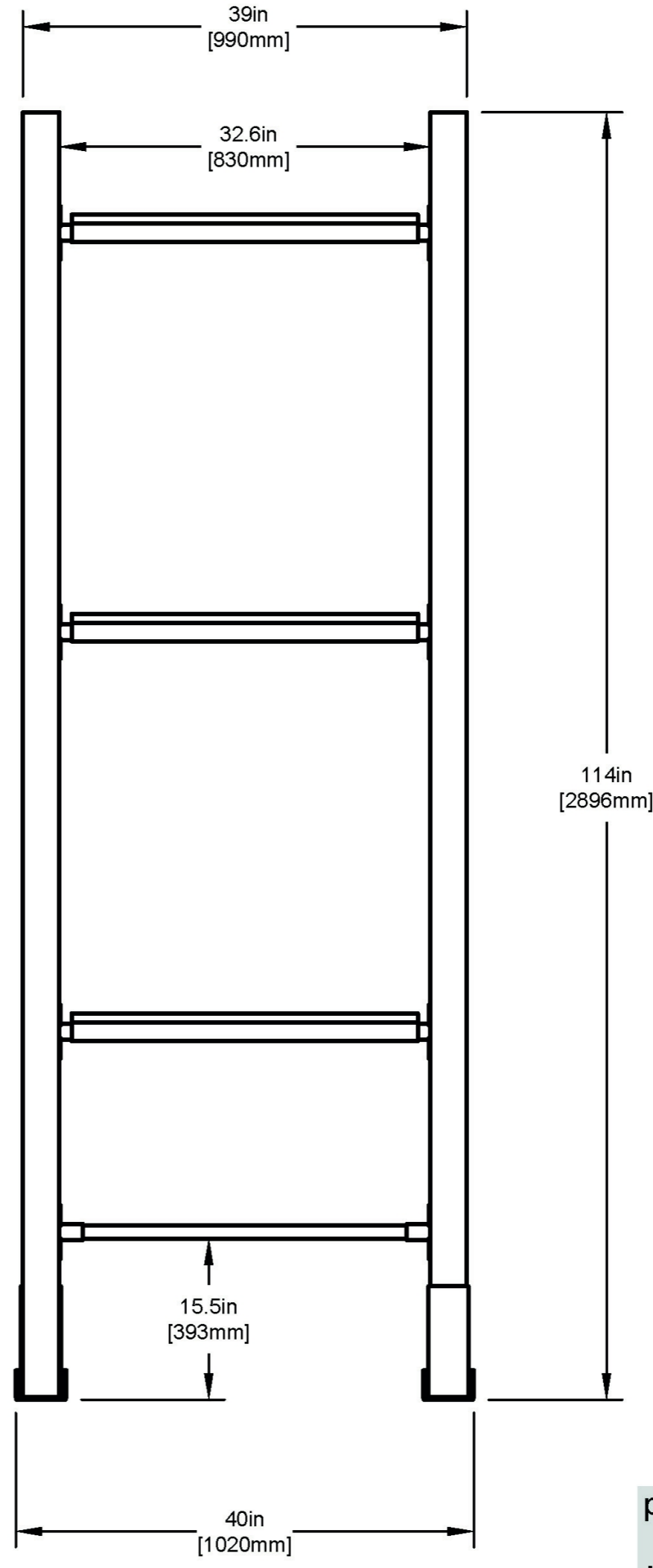
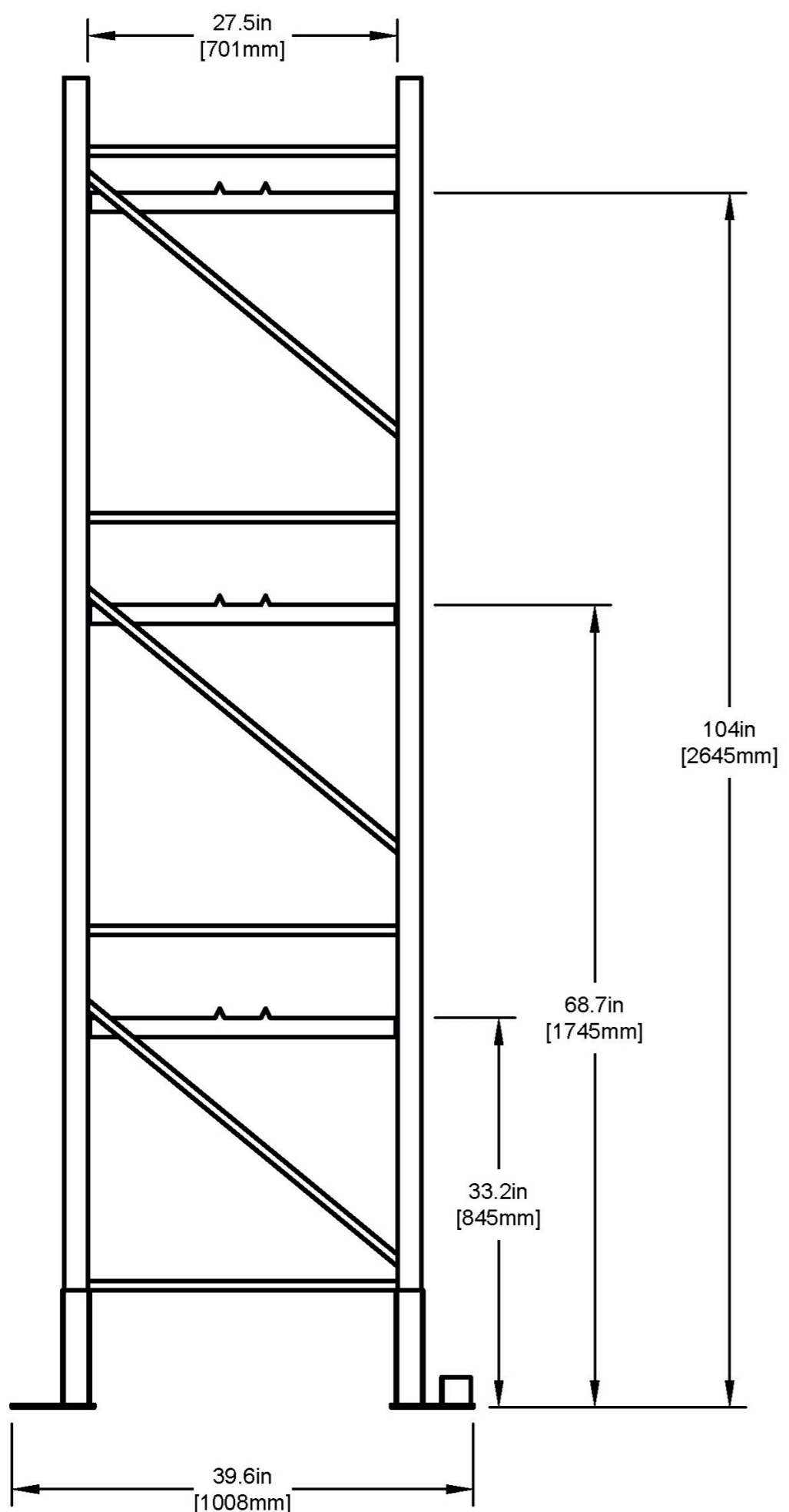
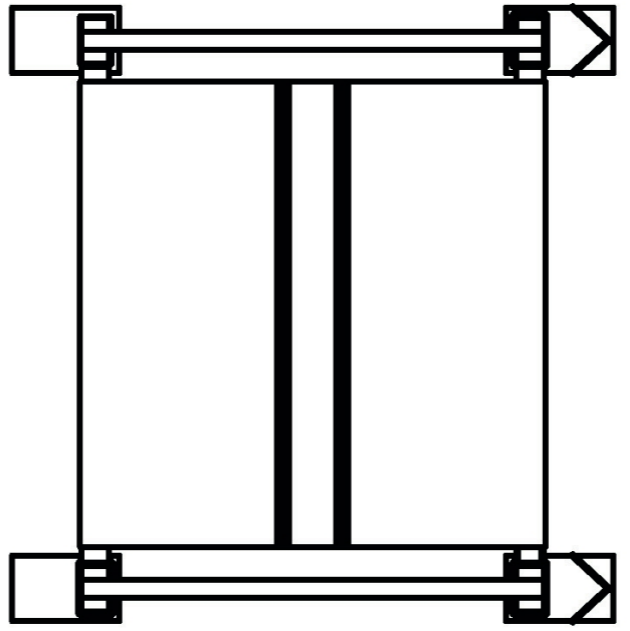


ISCA  
Stainless Steel Fabrication



**PROPRIETARY AND CONFIDENTIAL**  
The information contained in this drawing is the sole property of ISCA. Any reproduction, in part or as a whole, without the written permission of ISCA is prohibited.

Unless otherwise specified:  
Dimensions are in inches [mm]  
Surface finish:  
Tolerances: imperial [metric(±15)]  
Linear: x.xx 0.2 (xxx 0.01)  
Angular: xx' 010



product no:  
**ISCA - Dump Buggy Storage Racking - 400lb - 4 high**

1 2 3 4 5 6

1 2 3 4 5 6

A

B

C

D

E

F

G

H

A

B

C

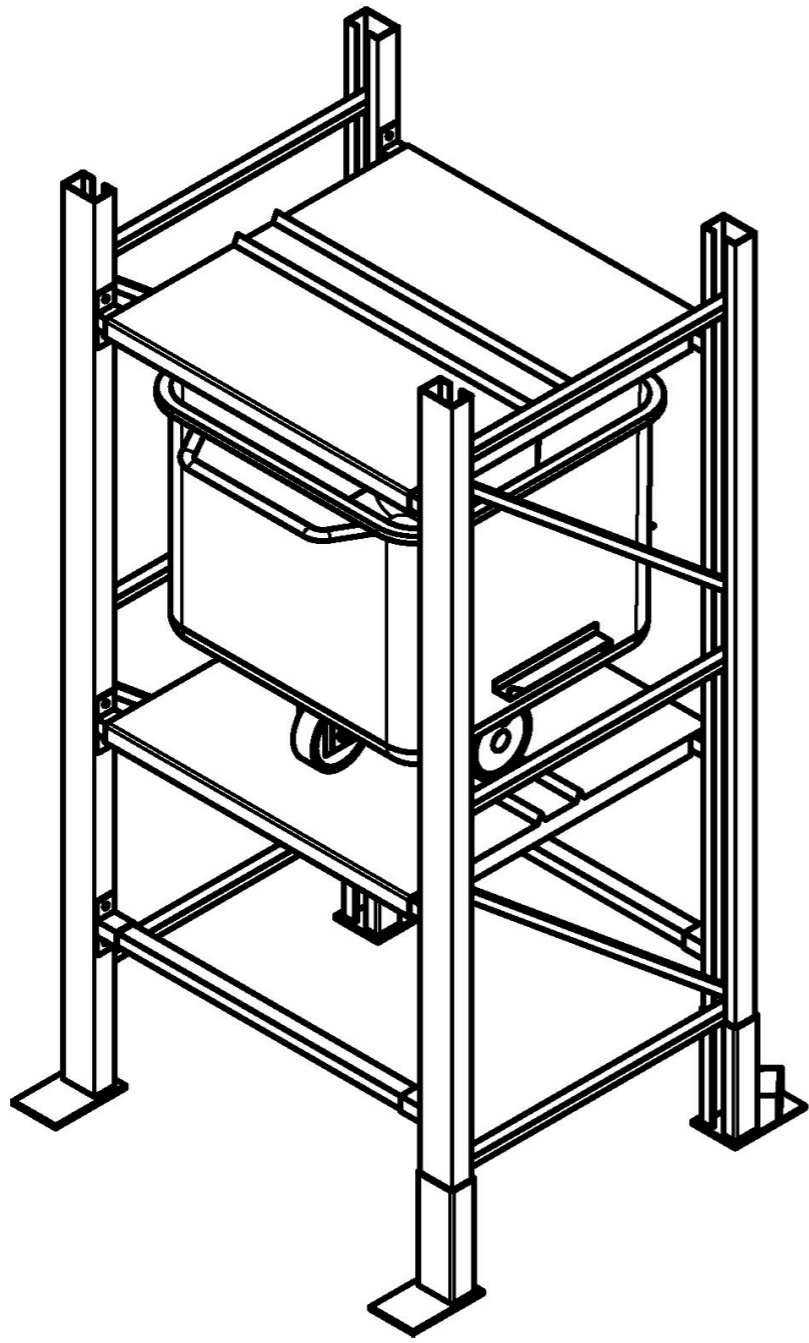
D

E

F

G

H

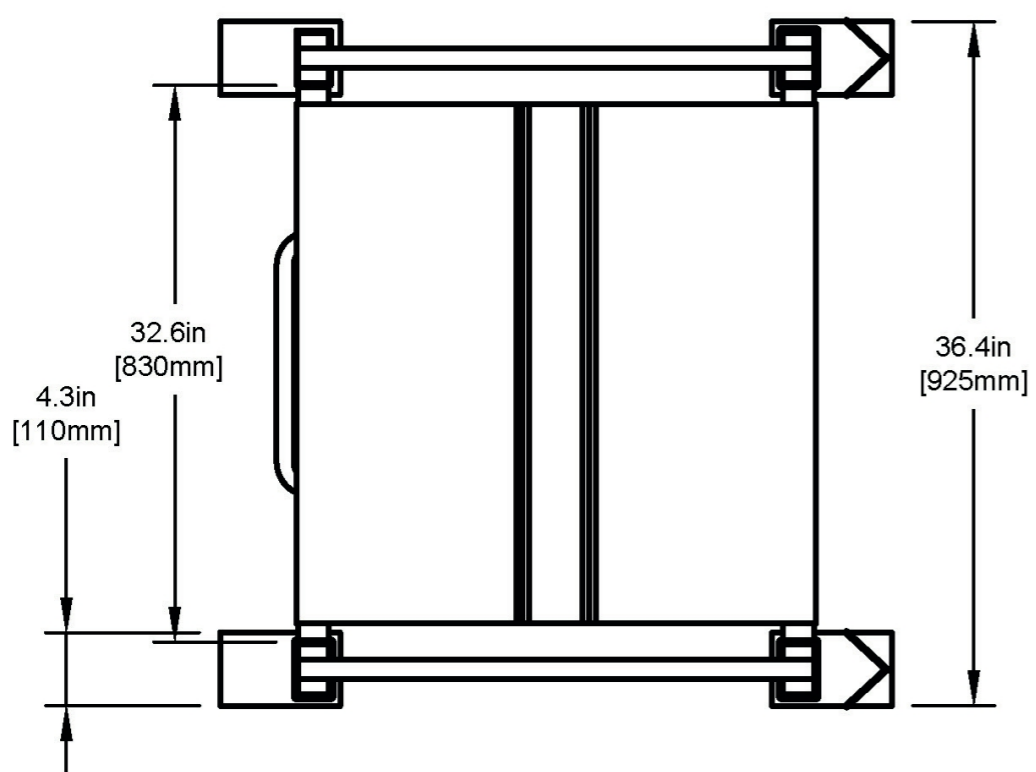
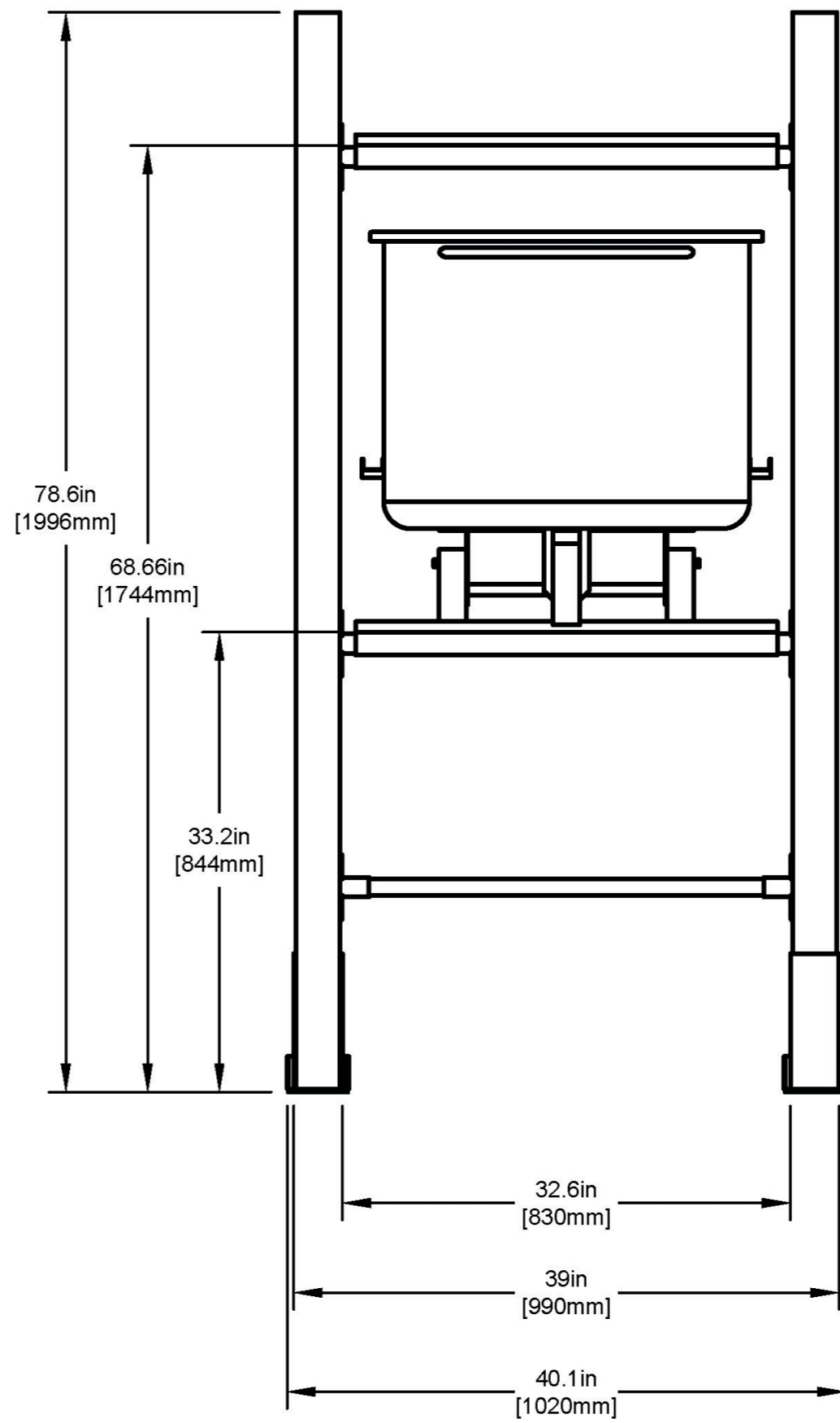
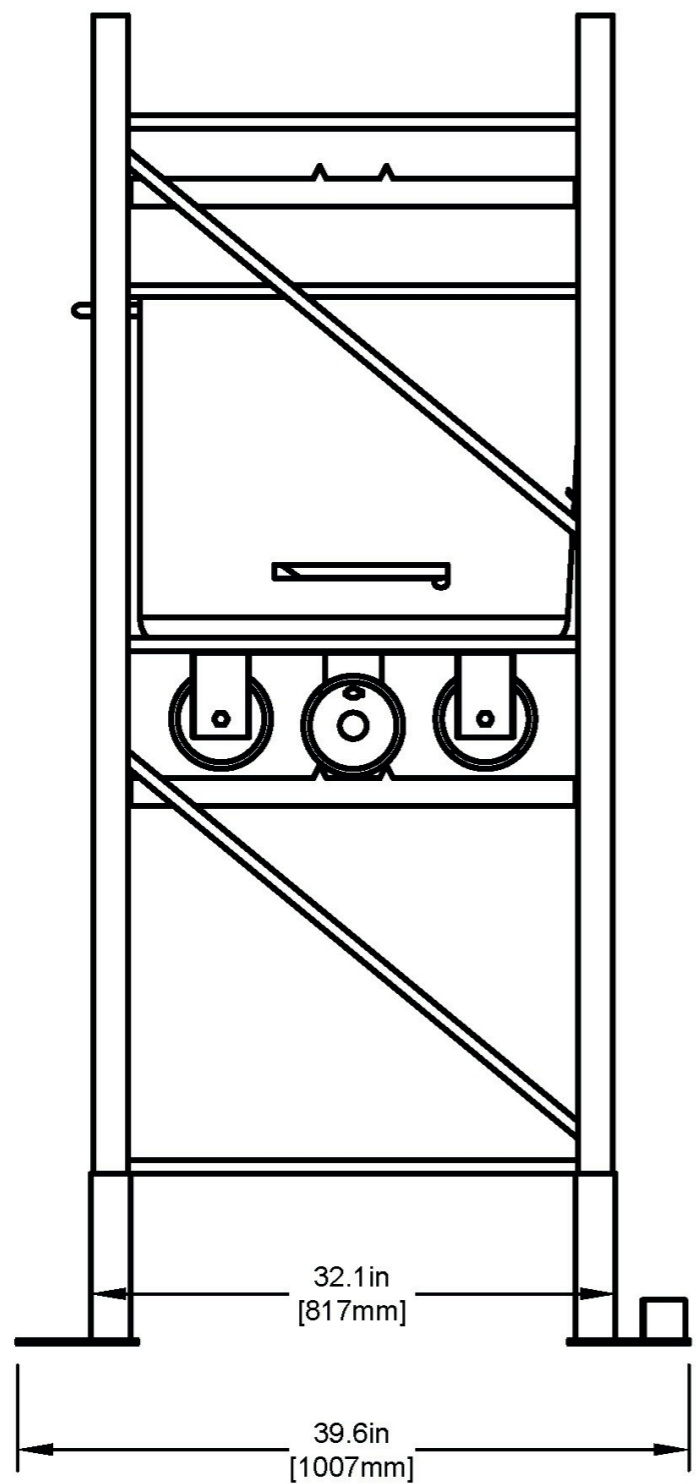


ISCA  
Stainless Steel Fabrication



**PROPRIETARY AND CONFIDENTIAL**  
The information contained in this drawing is the sole property of ISCA. Any reproduction, in part or as a whole, without the written permission of ISCA is prohibited.

Unless otherwise specified:  
Dimensions are in inches [mm]  
Surface finish:  
Tolerances: imperial [metric(±15)]  
Linear: x.xx 0.2 (.xxx 0.01)  
Angular: xx' 010



1 2 3 4 5 6

product no:

**ISCA- Dump Buggy Storage Racking - 400lb - 3 high**

Weigh



Wash



Store



Protect & Identify



# ISCA Dump Buggy Solutions

Transfer



Lift + Tip



Mix



Transport

