

Features

- Suitable for 400lb + 600lb std dump buggies.
- Max loading = 660lb / 300kg
- Freestanding unit eliminates the need for floor pits and ramps.
- All stainless steel 304-grade construction.
- Mettler Toledo weigh head – Weigh functions include gross, net, and tare. Unit weight can be in lb or kg.

Technical Specifications

- Material 304-grade stainless steel
- Max load capacity is 660lb

Customized options available

- Mobile option
- Pneumatic lift option



1 2 3 4 5 6

A

B

C

D

E

F

G

H

A

B

C

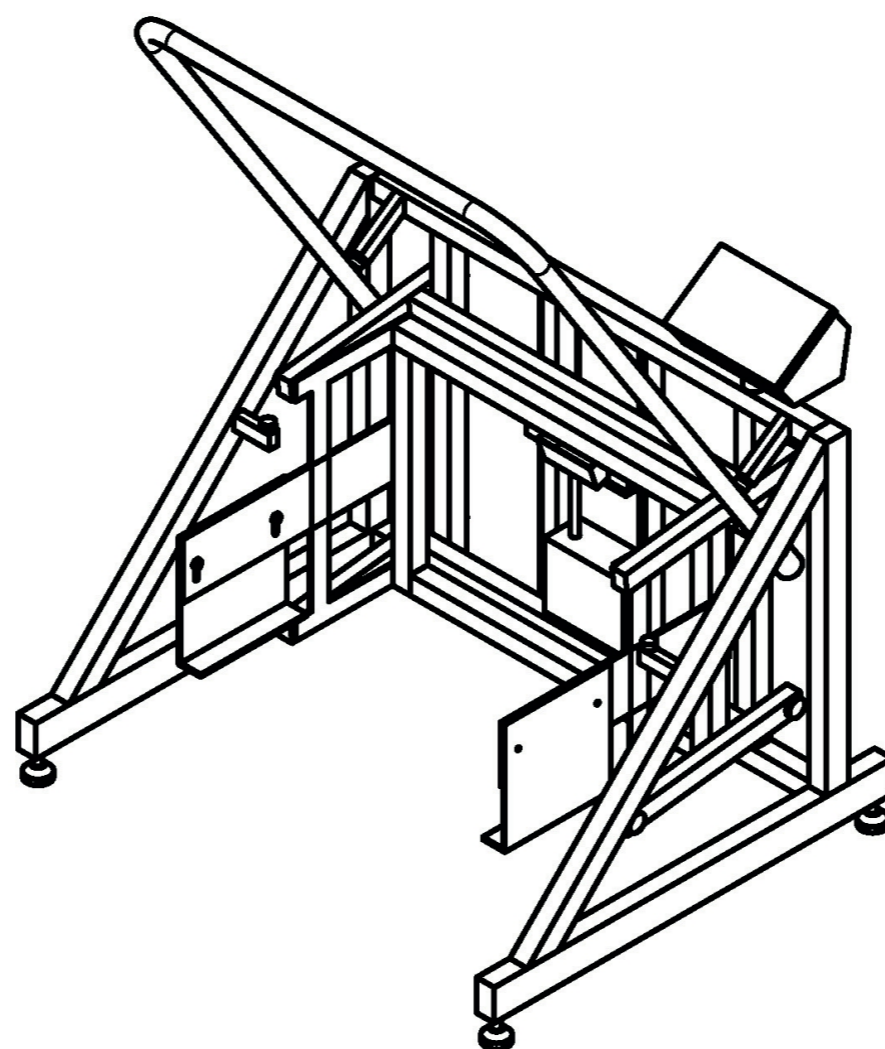
D

E

F

G

H

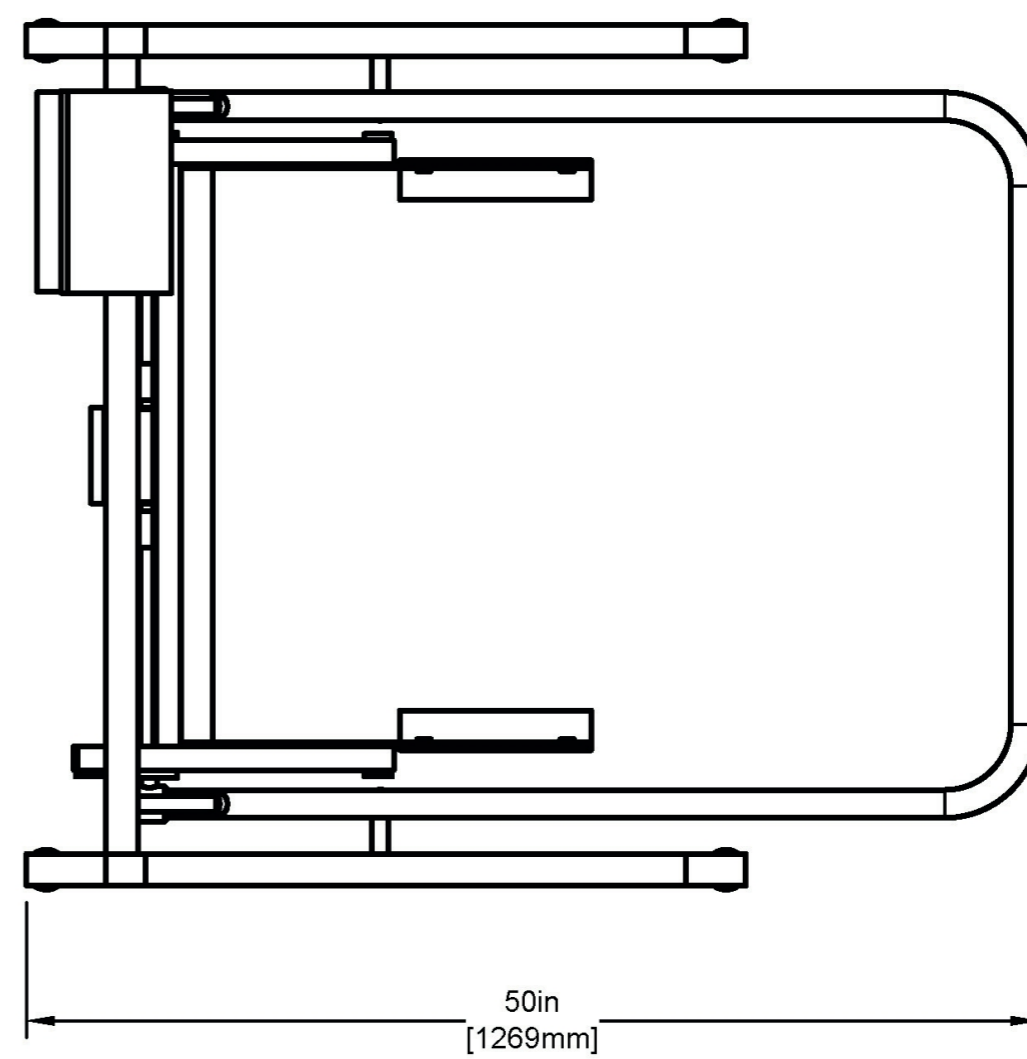
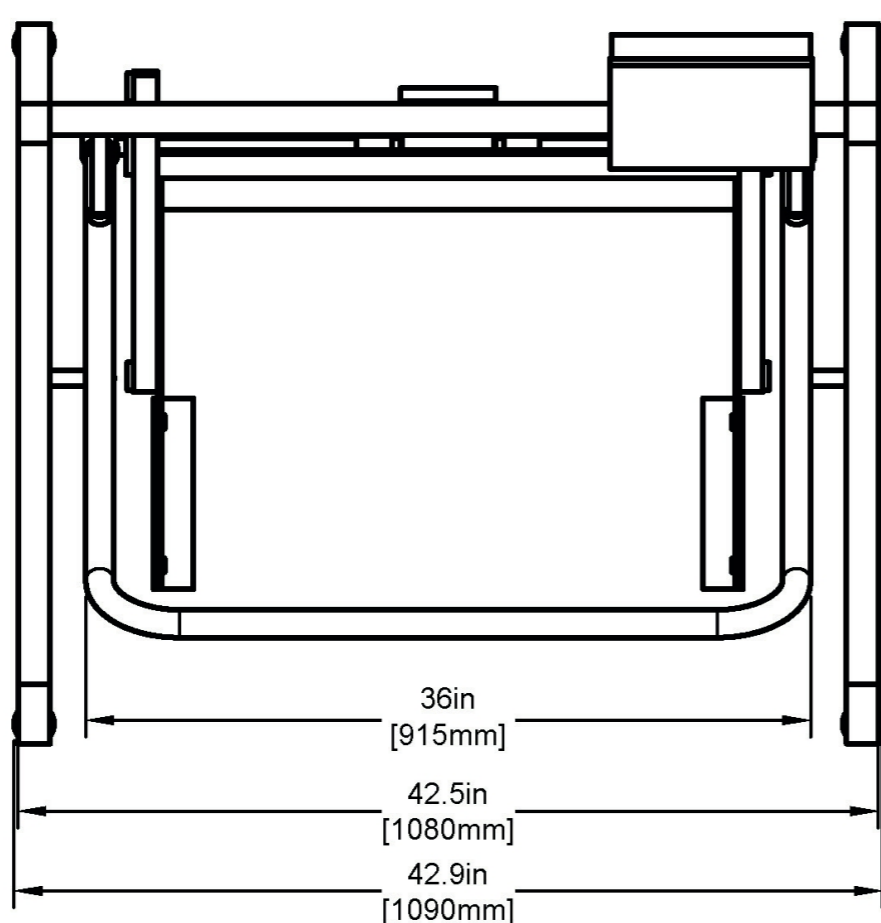
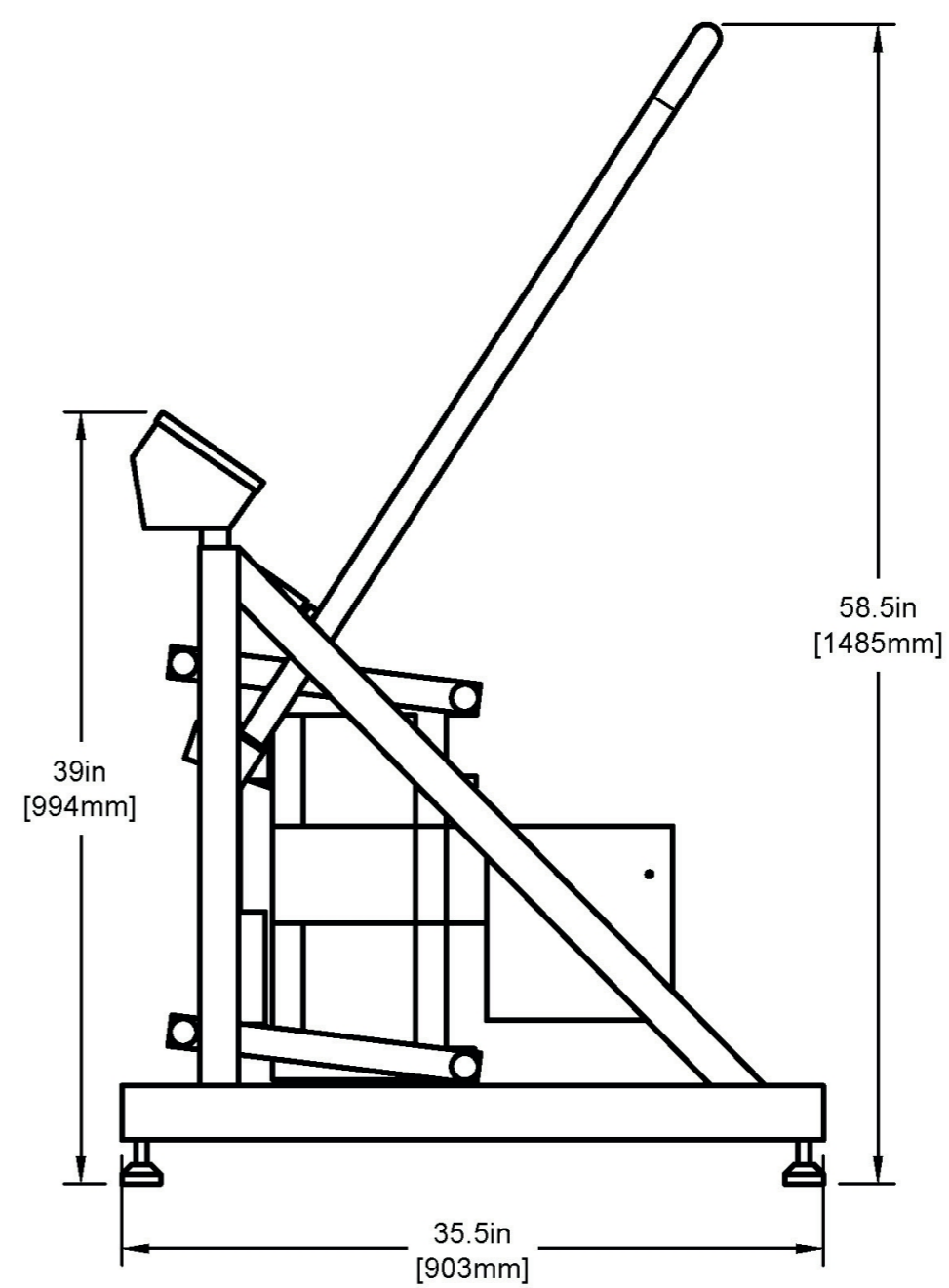
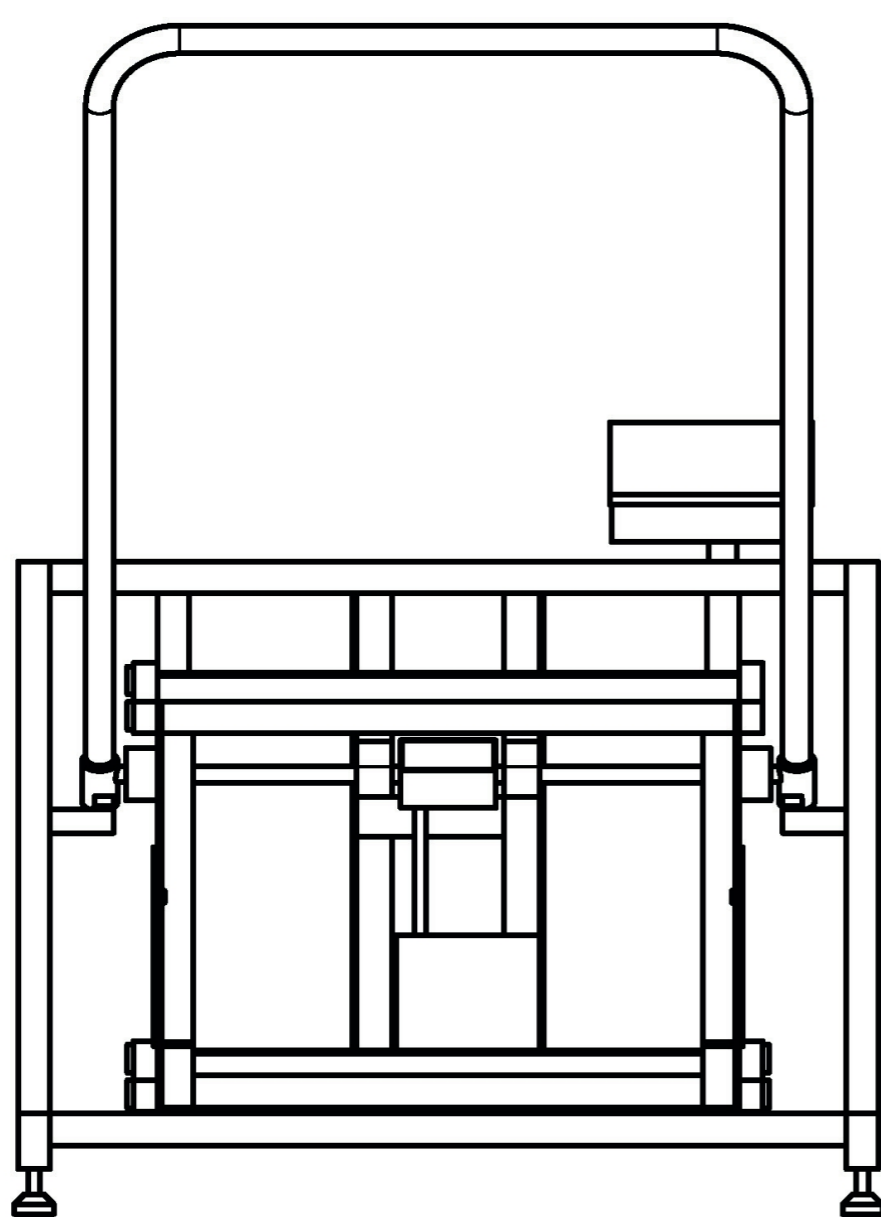


ISCA
Stainless Steel Fabrication



PROPRIETARY AND CONFIDENTIAL
The information contained in this drawing is the sole property of ISCA.
Any reproduction, in part or as a whole, without the written permission of ISCA is prohibited.

Unless otherwise specified:
Dimensions are in inches [mm]
Surface finish:
Tolerances: imperial [metric(±15)]
Linear: xx 0.2 (xxx 0.01)
Angular: xx' 010



product no:

**ISCA- Bump Buggy
Weigh Scales**

1 2 3 4 5 6

Wash



Store



Protect & Identify



ISCA Dump Buggy Solutions

Weigh



Transfer



Lift + Tip



Mix



Transport

