

Features

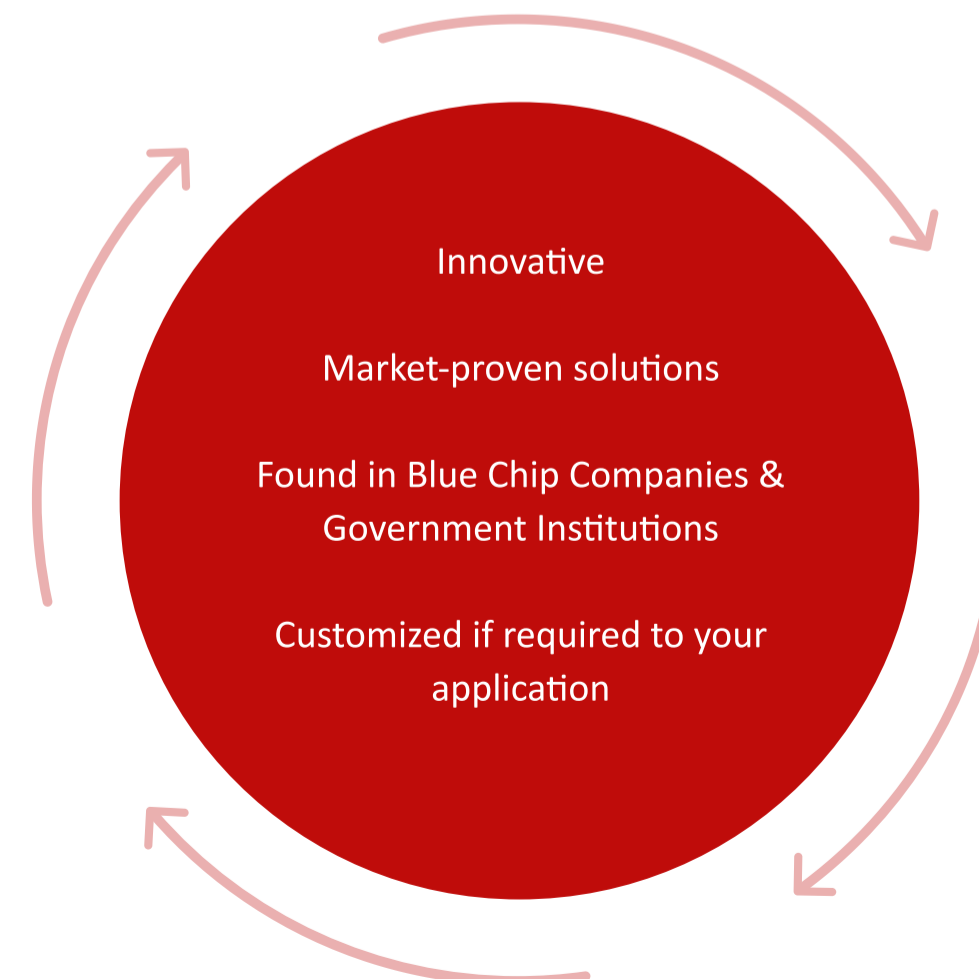
- Supplied as standard with 4 x 6" nylon wheels fitted onto a stainless steel axis, set out in a 'rocker formation'.
- Double skinned food safe polyethylene construction ensures this bin is extremely robust and durable and will not dent/deform like metal buggies.
- Quieter wheel movement than standard metal dump buggies.
- Relatively lightweight in comparison to metal bins – allowing operators to lift buggies into automatic washing machines etc.
- Available in a variety of colors for product identification and isolation.

Technical Specifications

- Dimensions (LxWxH) – 31.9" x 26.57" x 28.93" (811 x 675 x 735mm)
- Weight – 42lb (18.75kg)
- Capacity – 400lb (200L)
- Material – Polyethylene
- Food-safe material
- Imagery is symbolic

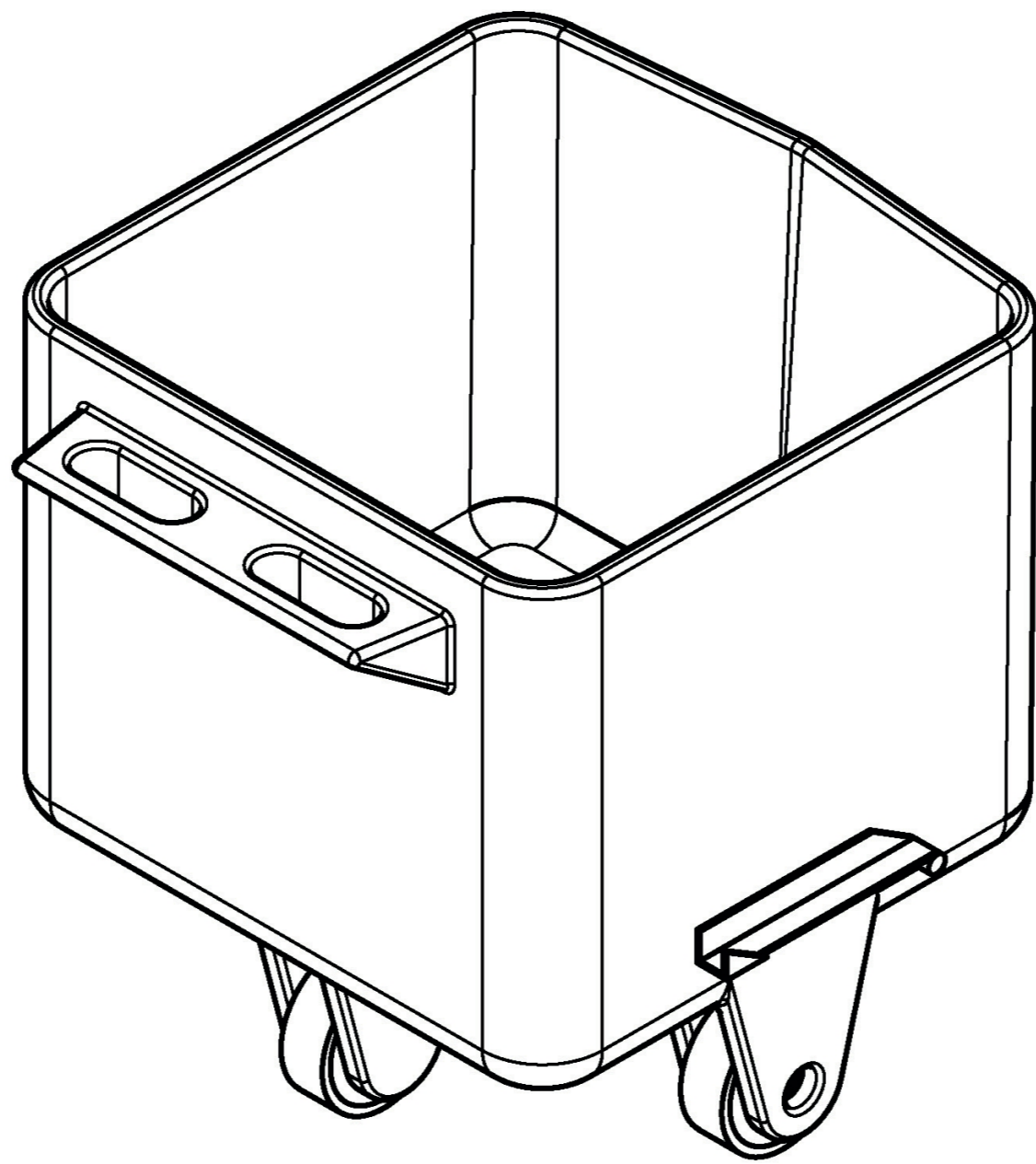
Customized options available

- Colors available: blue, red, yellow, green + white
- Matching plastic lid color



1 2 3 4 5 6

A
B
C
D
E
F
G
H

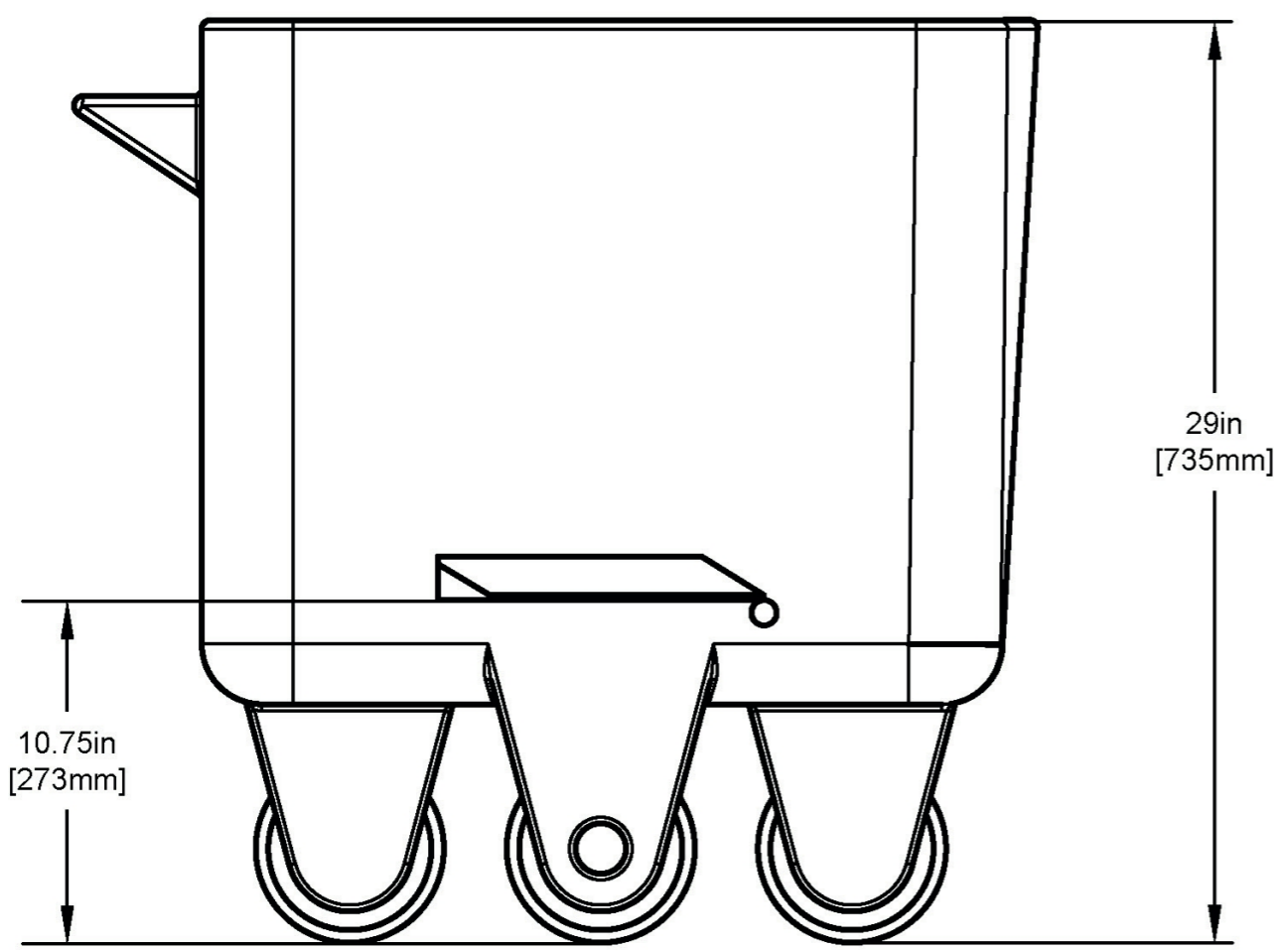
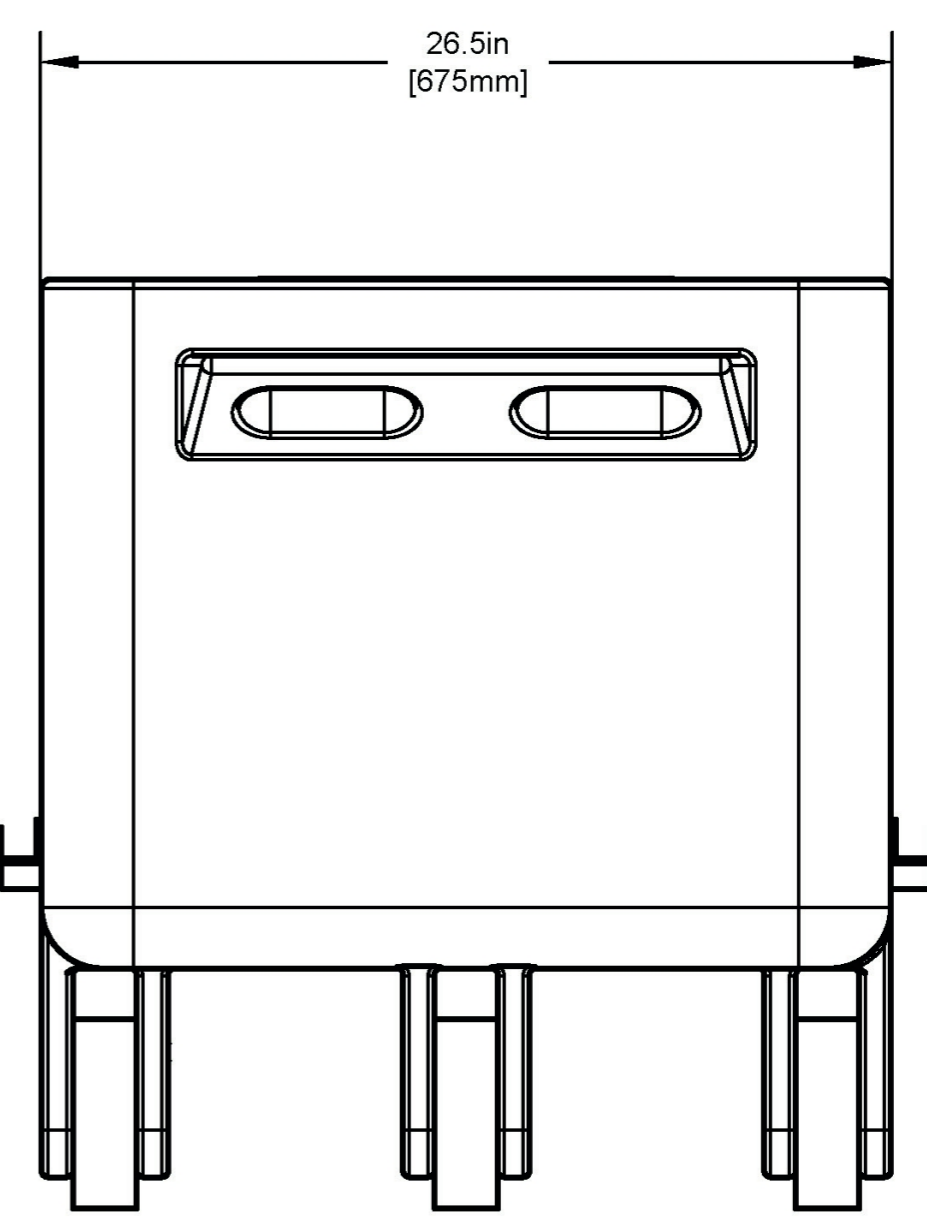
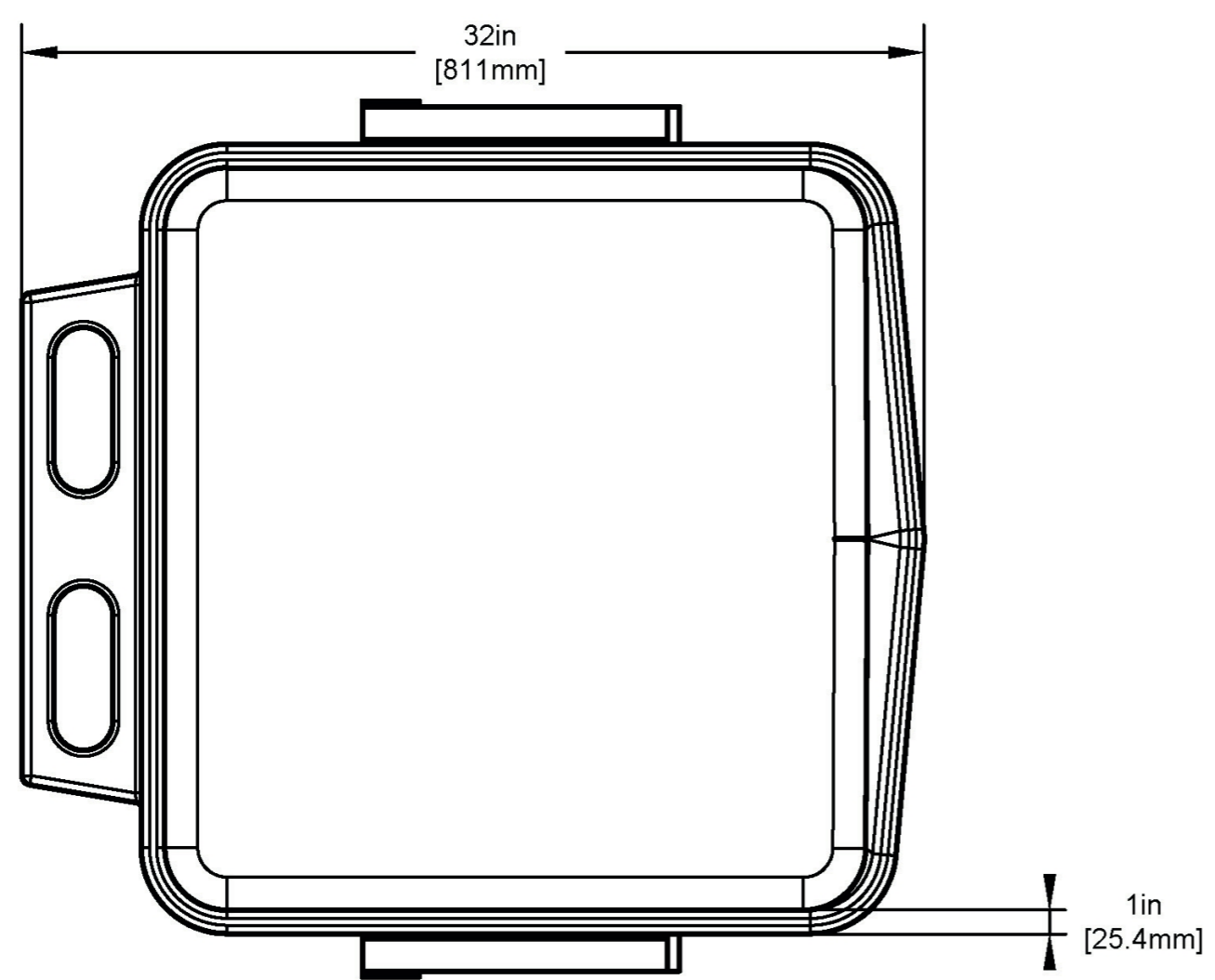


ISCA
Stainless Steel Fabrication



PROPRIETARY AND CONFIDENTIAL
The information contained in this drawing is the sole property of ISCA.
Any reproduction, in part or as a whole, without the written permission of ISCA is prohibited.

Unless otherwise specified:
Dimensions are in inches [mm]
Surface finish:
Tolerances: imperial [metric(±15)]
Linear: x.xx 0.2 (xxx 0.01)
Angular: xx' 010



product no:
**ISCA- Plastic Dump
Buggy 400lbs**

1 2 3 4 5 6

Wash



Store



Protect & Identify



ISCA Dump Buggy Solutions

Weigh



Transfer



Lift + Tip



Mix



Transport

