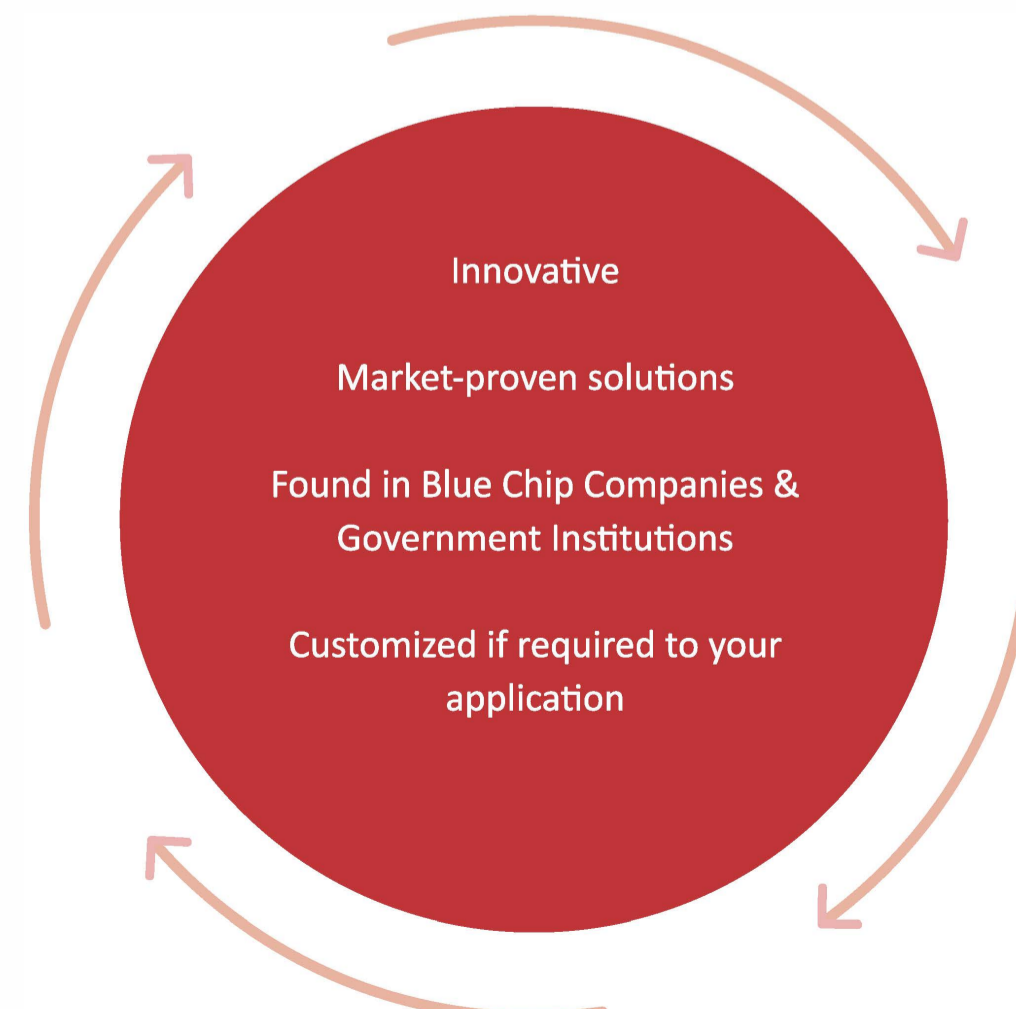


Features

- Three part main brush (two sides and central part): for a complete clean of footwear sides and soles
- Compact design
- Sensor operation
- The brush is driven by a low maintenance direct drive motor
- Motors are IP65 rated w/ over torque protection
- Aggressive anti-slip s/steel tread on step on and off of machine
- Adjustable feet
- Support handle with push button sensor
- Cleaning agent holder built in
- Easy tool free brush removal
- High deformation and abrasion resistant brushes
- All grade 304 stainless steel construction
- Any standard chemical cleaning solution can be used in this system
- Fresh water and chemicals easily mixed
- The machine's warranty does not obligate you to buy chemicals from us in order to receive spare parts or support

Technical Specifications

- Dimensions: 27.4 x 17 x 44.3"
- Weight – 110 lb (50kg)
- Electrical connection: – Suitable for local supply
- Water connection: – 1/2" (DN15)
- Water outlet: – 2" (DN 50)
- Water temperature (max) – 109oF (43oC)
- Stainless steel -- Grade 304



1 2 3 4 5 6 7 8

A

B

C

D

E

F

A

B

C

D

E

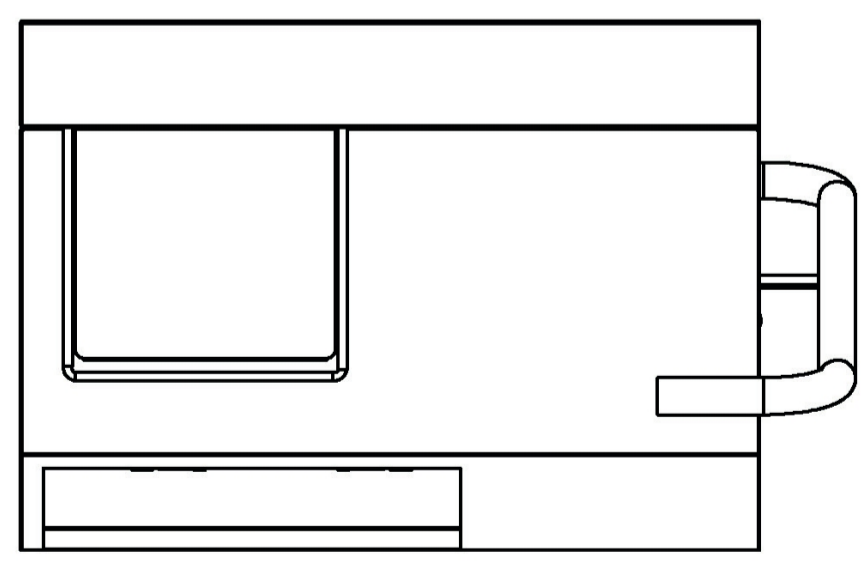
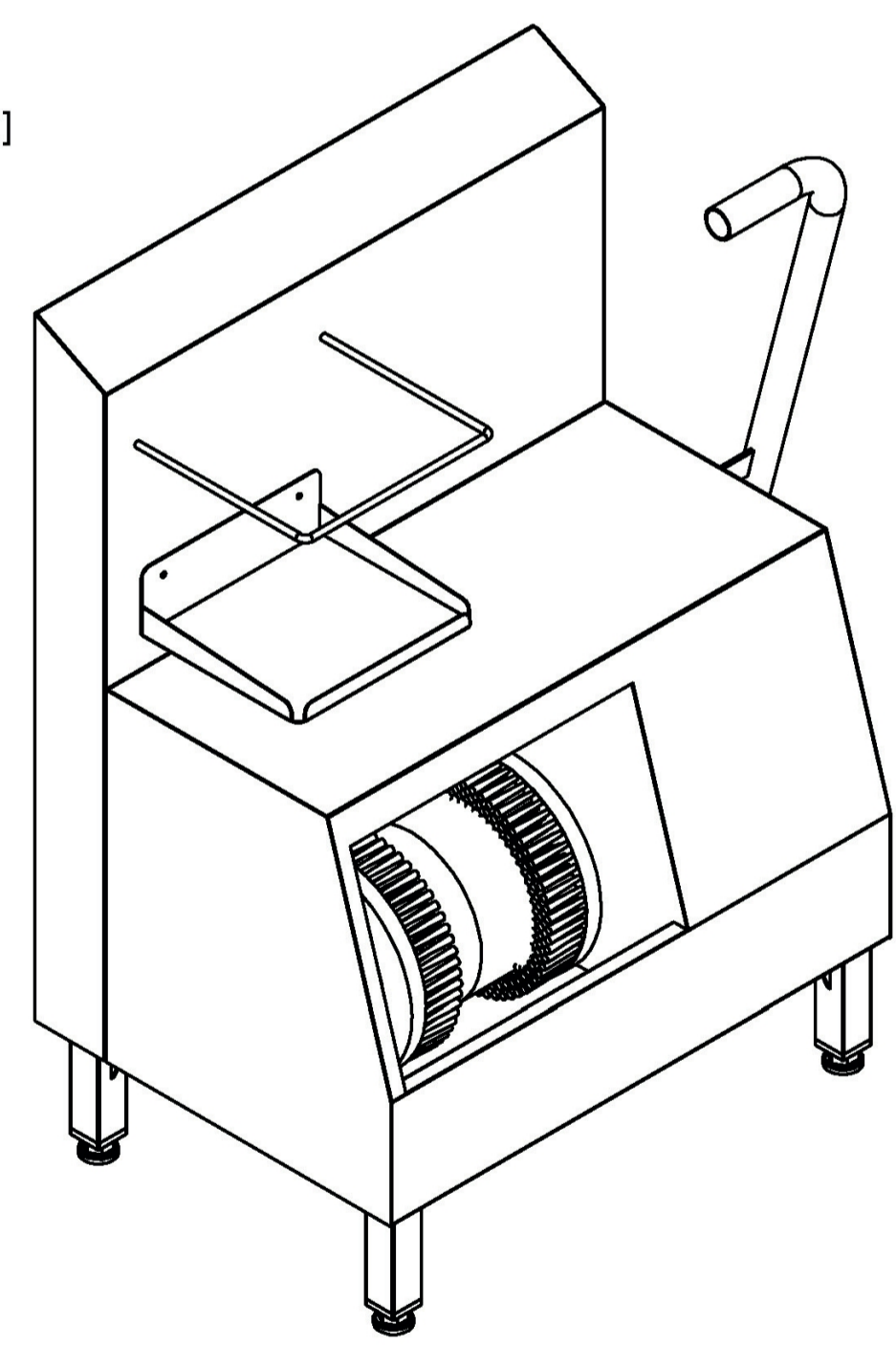
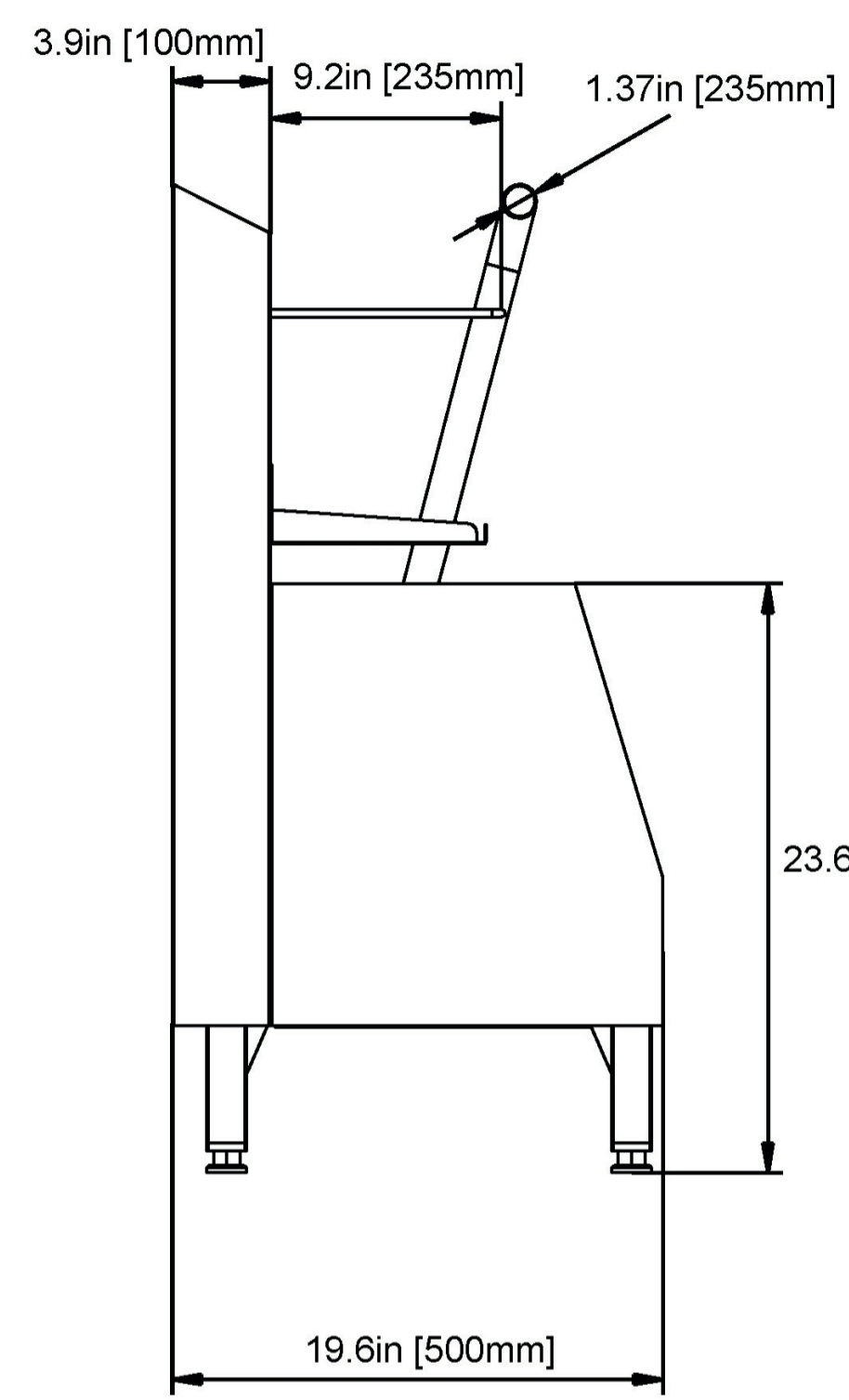
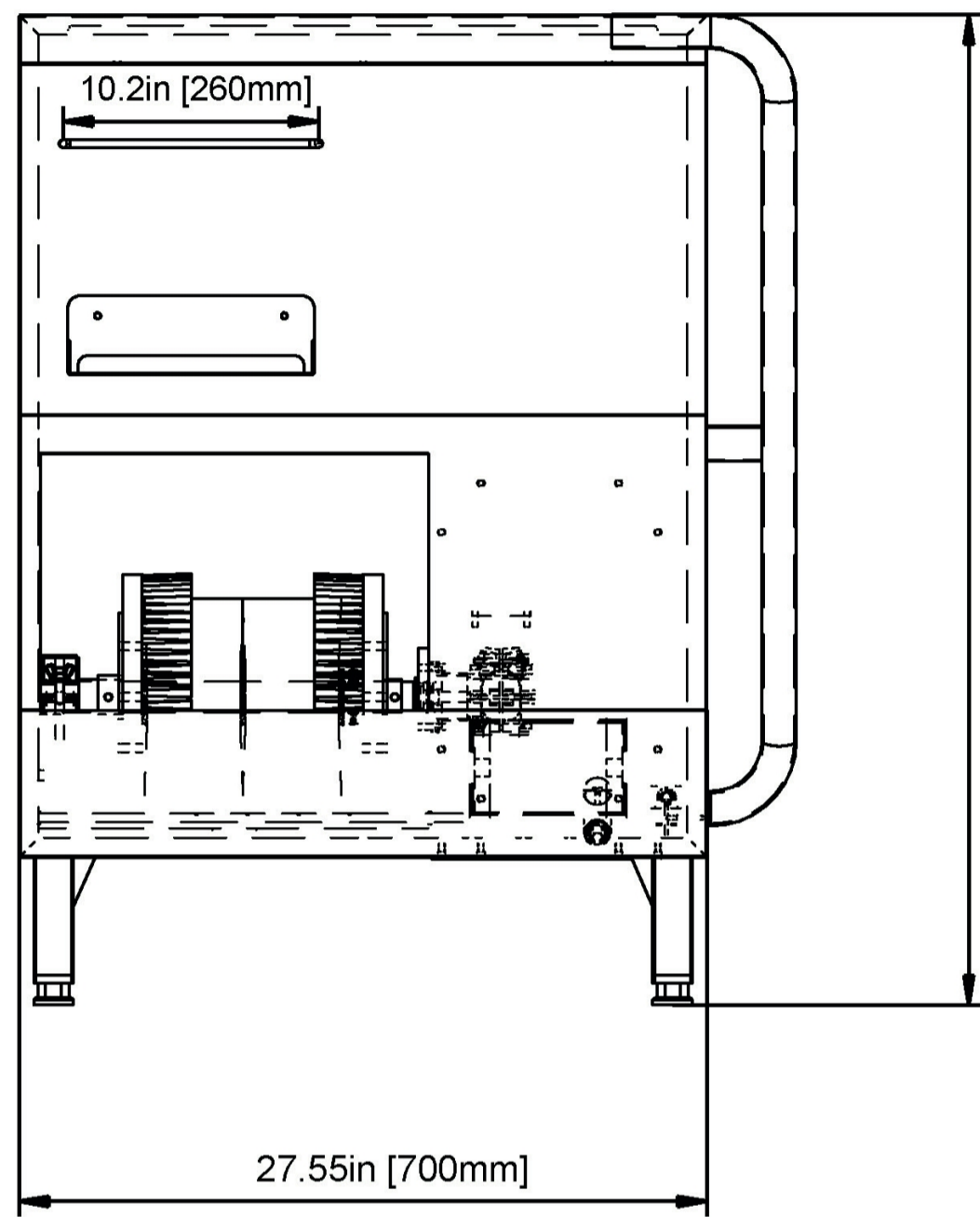
F

ISCA
Stainless Steel Fabrication



PROPRIETARY AND CONFIDENTIAL
The information contained in this drawing is the sole property of ISCA
Any reproduction, in part or as a whole, without the written permission of ISCA is prohibited.

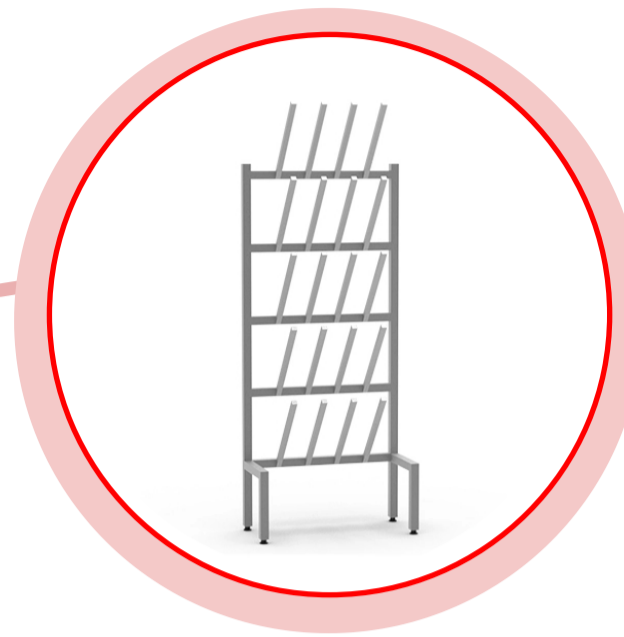
Unless otherwise specified:
Dimensions are in inches [mm]
Surface finish:
Tolerances: imperial [metric(±15)]
Linear: x.xx 0.2 (.xxx 0.01)
Angular: xx' 010



product no:
ISCA - Automatic Sole Washer

1 2 3 4 5 6 7 8

Footwear storage

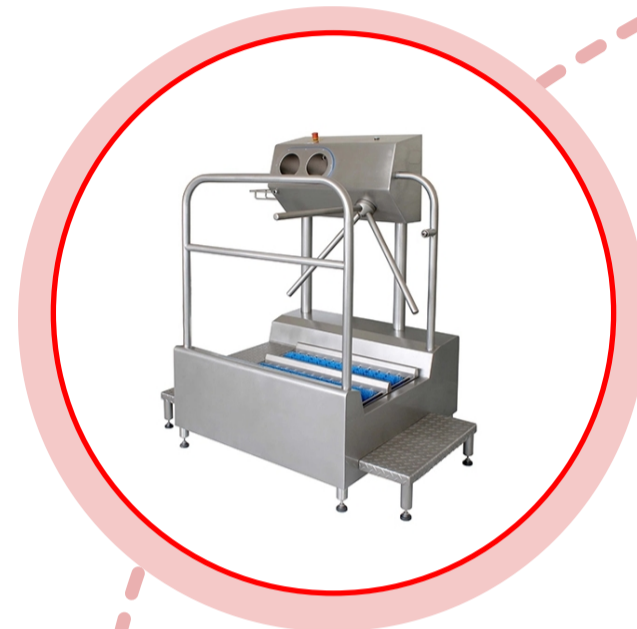


Workwear storage



**ISCA's
Hygiene
Equipment
Solutions**

Hygiene entrance stations



Manual bootwashers



Hand washing



Automatic boot washers