

Features

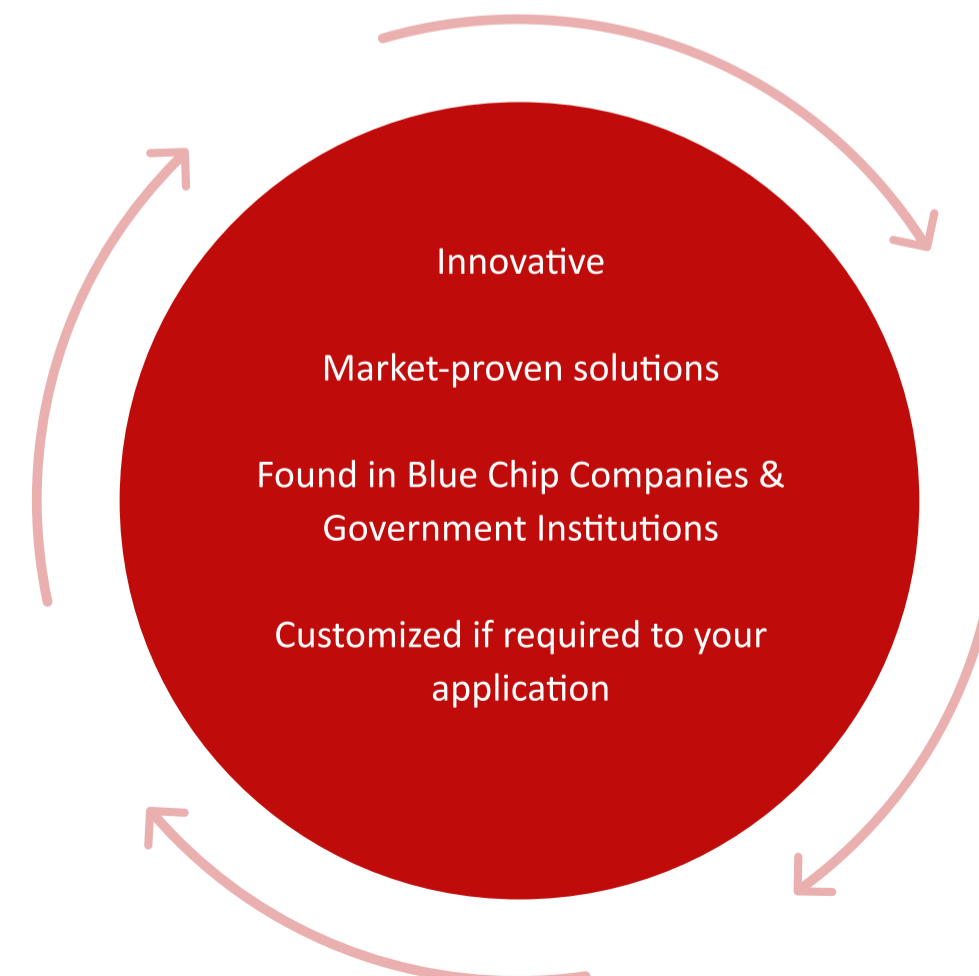
- Suitable for bakery mixing bowls (removable bowls from spiral mixers)
- Lift height 39.3" (1000 mm)
- Lift capacity 1100 lb (500 kg)
- Tipping angle 120 degrees (30 degrees past horizontal)
- Tipping chute fitted as std
- Machine handing – Right hand side
- Fixed base arrangement
- 304 stainless steel
- Welded construction throughout
- Hydraulic power pack

Technical Specifications

- Lift height 39.3" (1000 mm)
- Lift capacity 1100 lb (500 kg)
- Tipping angle 120 degrees (30 degrees past horizontal)

Customized options available

- Guarding
- We have 'off the shelf' machines, that can be further customized, or we can create a new solution for your specific needs.



1 2 3 4 5 6

A

B

C

D

E

F

G

H

A

B

C

D

E

F

G

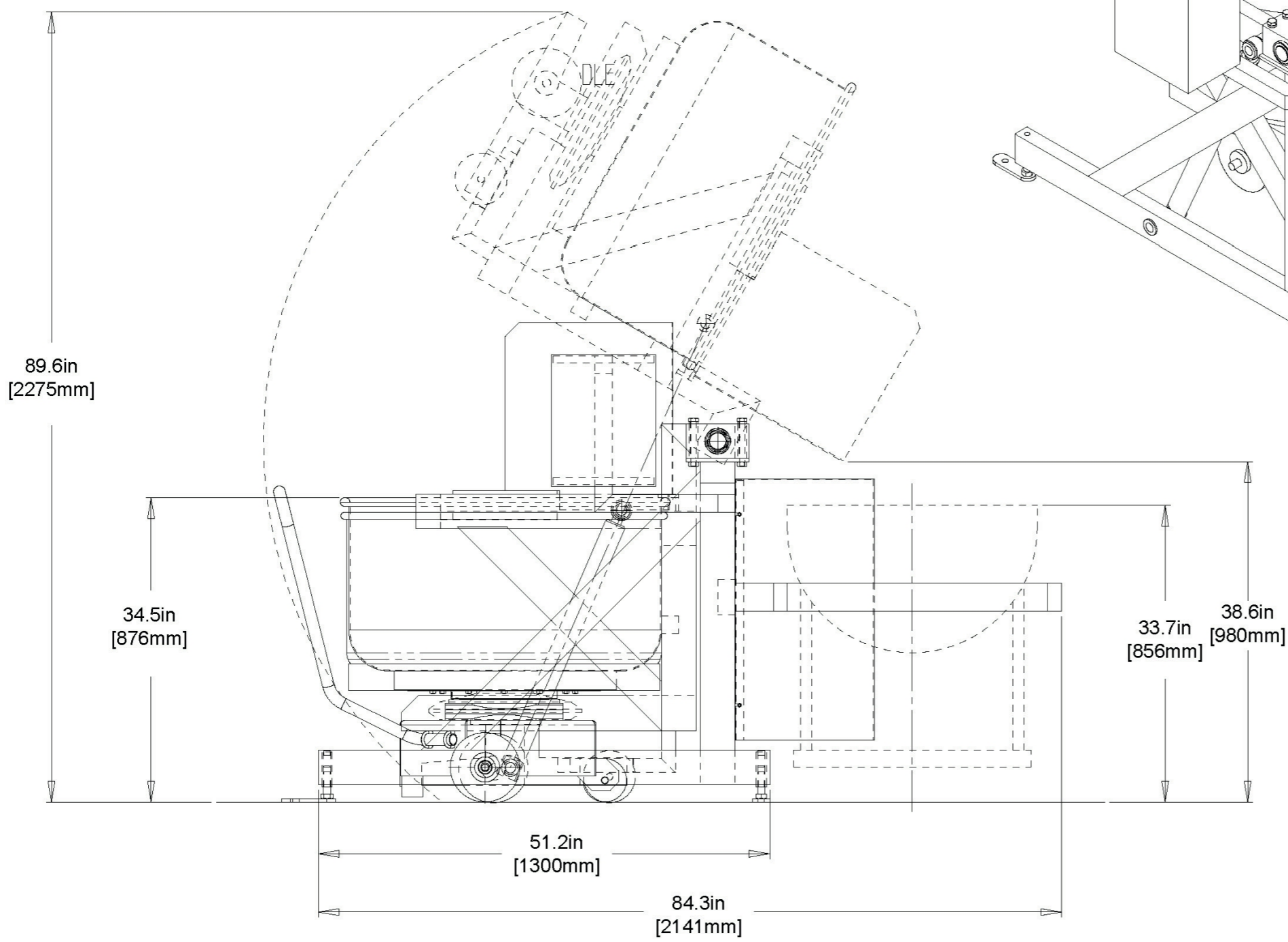
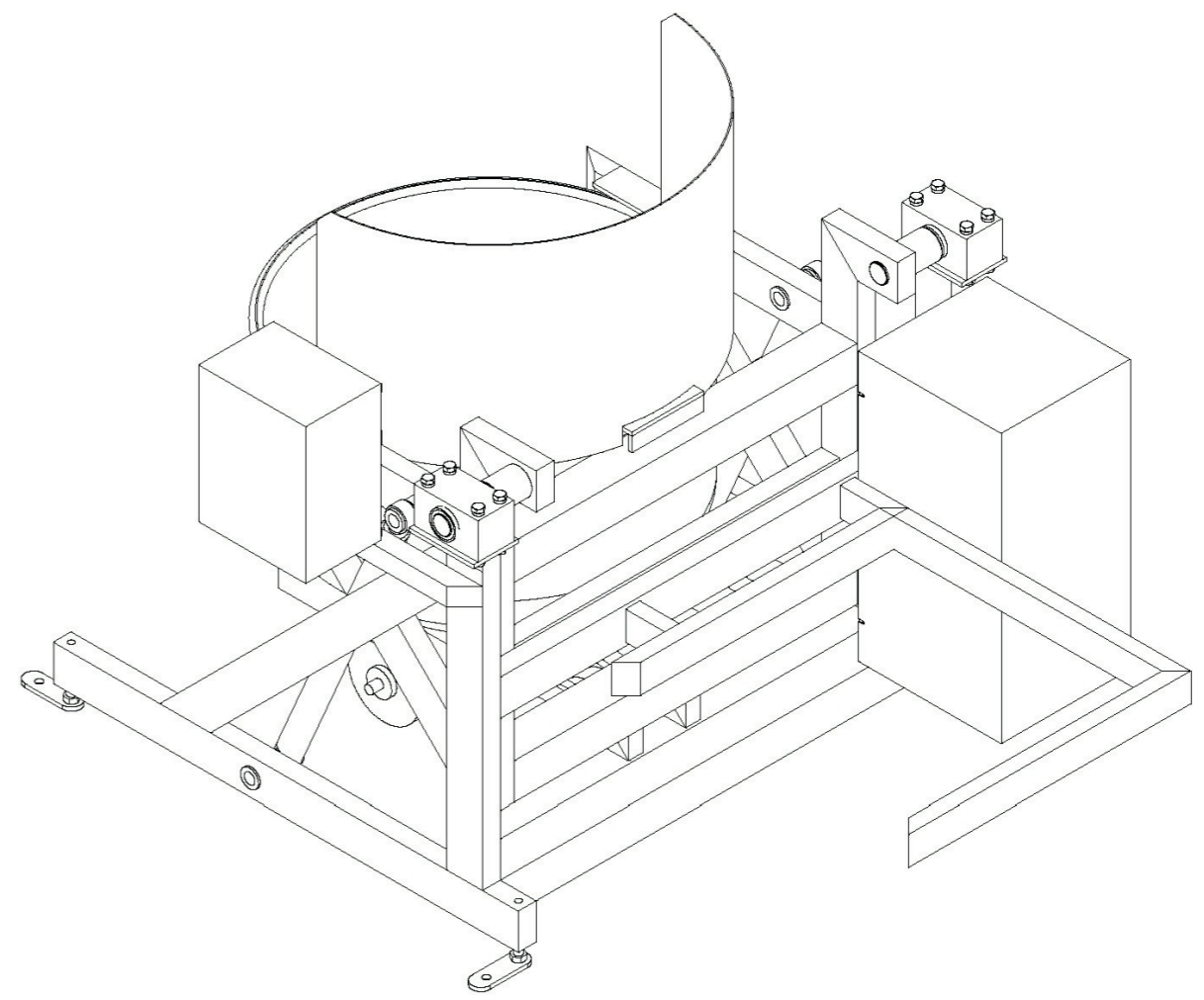
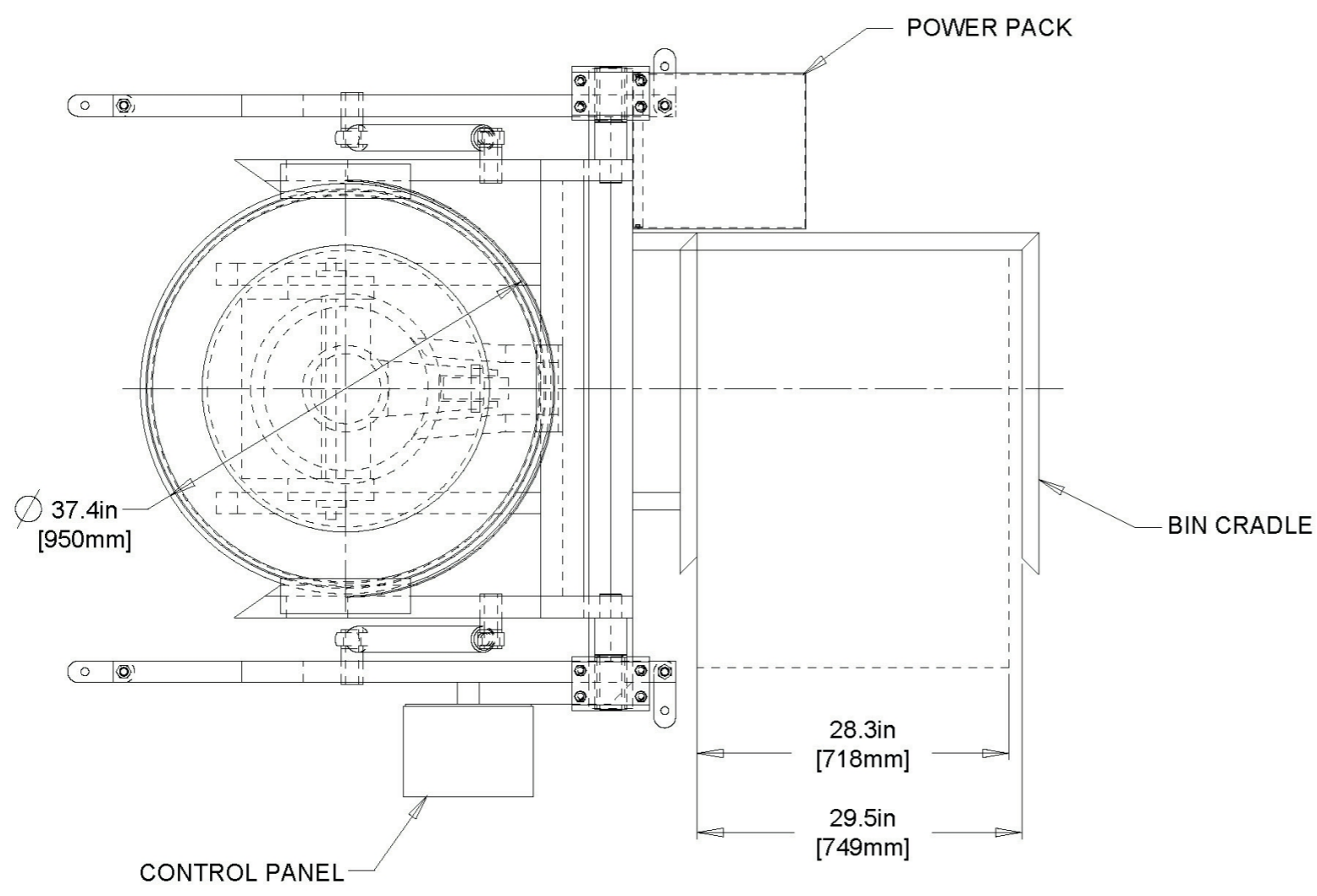
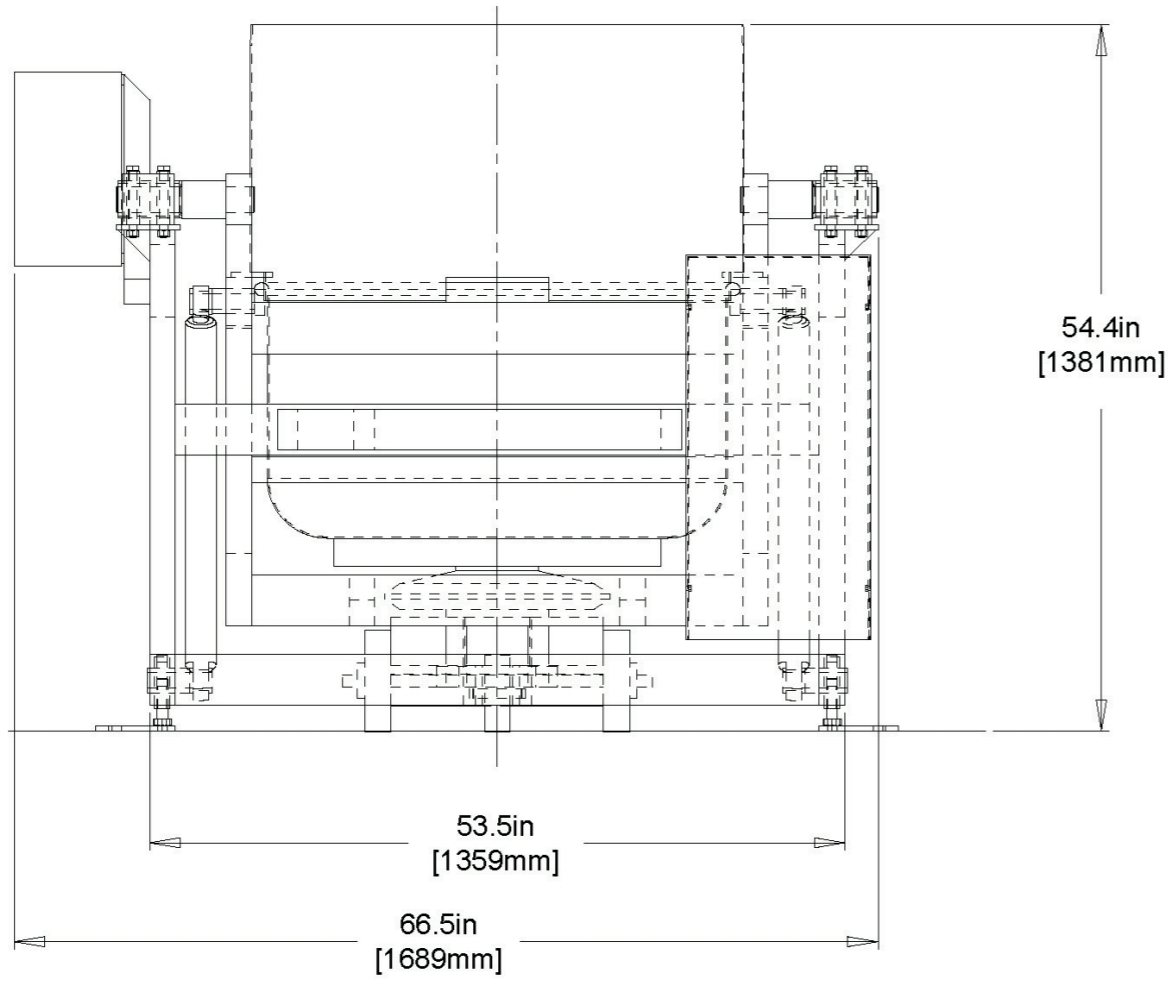
H

ISCA
Stainless Steel Fabrication



PROPRIETARY AND CONFIDENTIAL
The information contained in this drawing is the sole property of ISCA
Any reproduction, in part or as a whole, without the written permission of ISCA is prohibited.

Unless otherwise specified:
Dimensions are in inches [mm]
Surface finish:
Tolerances: imperial [metric(±15)]
Linear: x.xx 0.2 (.xxx 0.01)
Angular: xx' 010



product no:
**ISCA- Bakery Mixing
Bowl Tipper**

1 2 3 4 5 6

High-level lift + tip



Store + Transport



**ISCA's
Bakery Bowl
Solutions**

Low-level lift + tip



Table Tip

