

ISCA - Mixing Bowl Dumper – Double Column

Features

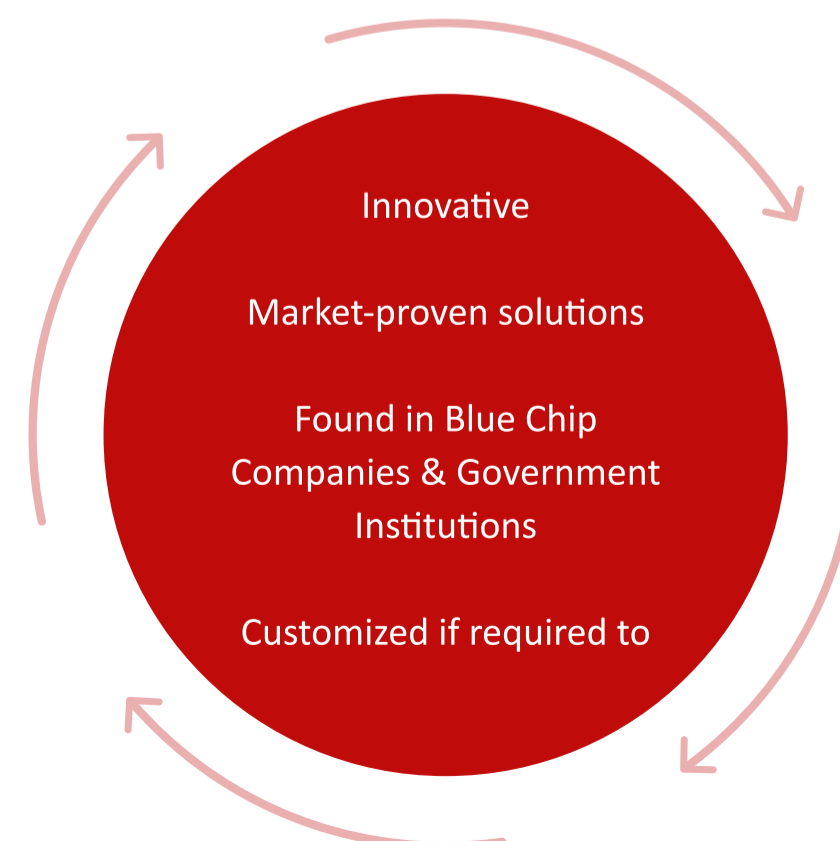
- Compatible with removable bakery bowls
- The tipping height is 43.3" (1100mm)
- Safe working load of 1322Lb (600 Kgs)
- The machine is mobile as standard, with fixing brackets provided to fix the column dumper into position if required.
- 304 stainless steel
- Welded construction throughout
- Motor gearbox chain driven – mounted at the top of the one column with a crossover shaft to the other column.
- Full perimeter guard

Technical Specifications

- Controls/orientation – Hold to run push buttons / Right-hand side
- Stainless steel – AISI 304
- Lifting capacity – 1322Lb (600 Kgs)
- Tipping height – 43.3" (1100mm)
- Tipping reach – Customized to your application with a chute if required
- Tipping angle – 130 degrees (40 degrees from horizontal)
- Container suitability – Removeable bakery mixing bowl
- Base – Mobile base
- Mains supply as std – 480v 3PH 60Hz – Grounded (can be switched to 240v on site)
- Control circuit – 24V AC
- Electrical rating – IP65
- Drive Type – Braked motor gearbox + roller chain (simplex 3/4" chain)
- Lift speed – 21 ft/min (6.4 m/min)

Customized options available

- Light curtain guard or full perimeter guarding
- We have 'off the shelf' machines, that can be further customized, or we can create a new solution for your specific needs.



1 2 3 4 5 6

A

B

C

D

E

F

G

H

A

B

C

D

E

F

G

H

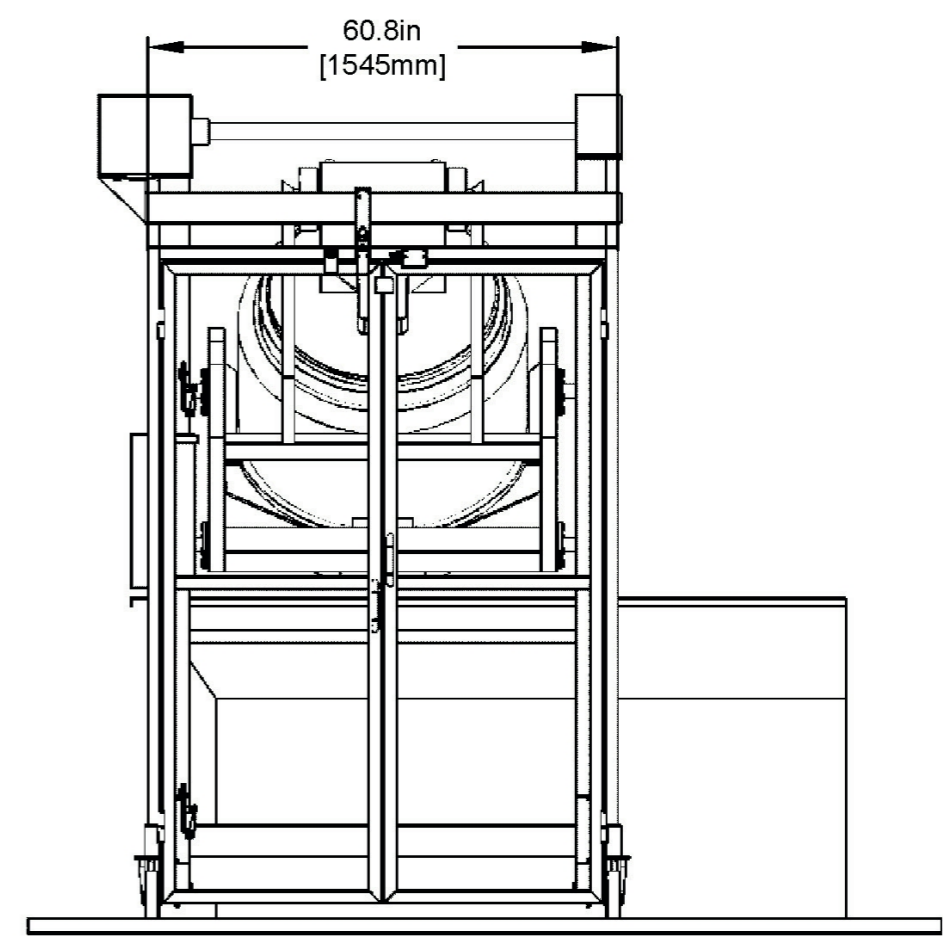
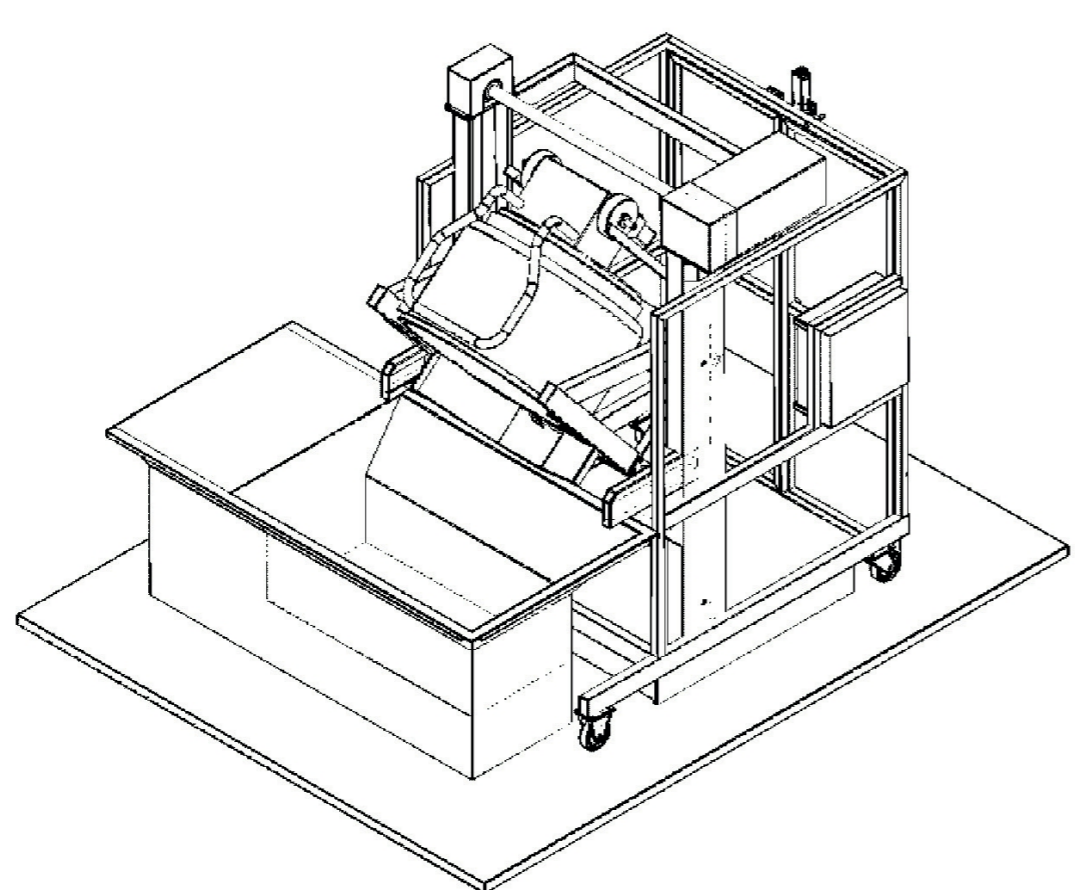
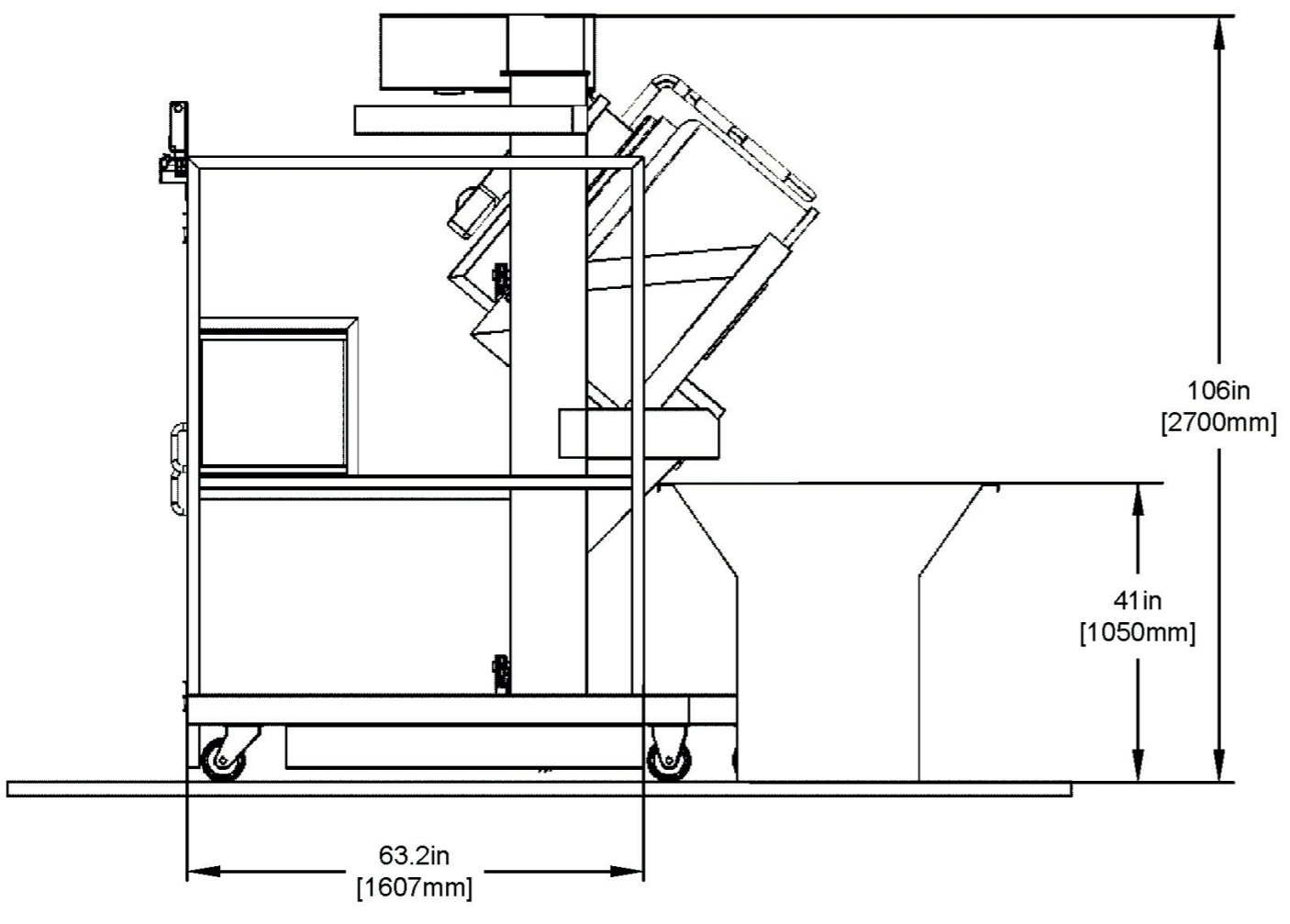
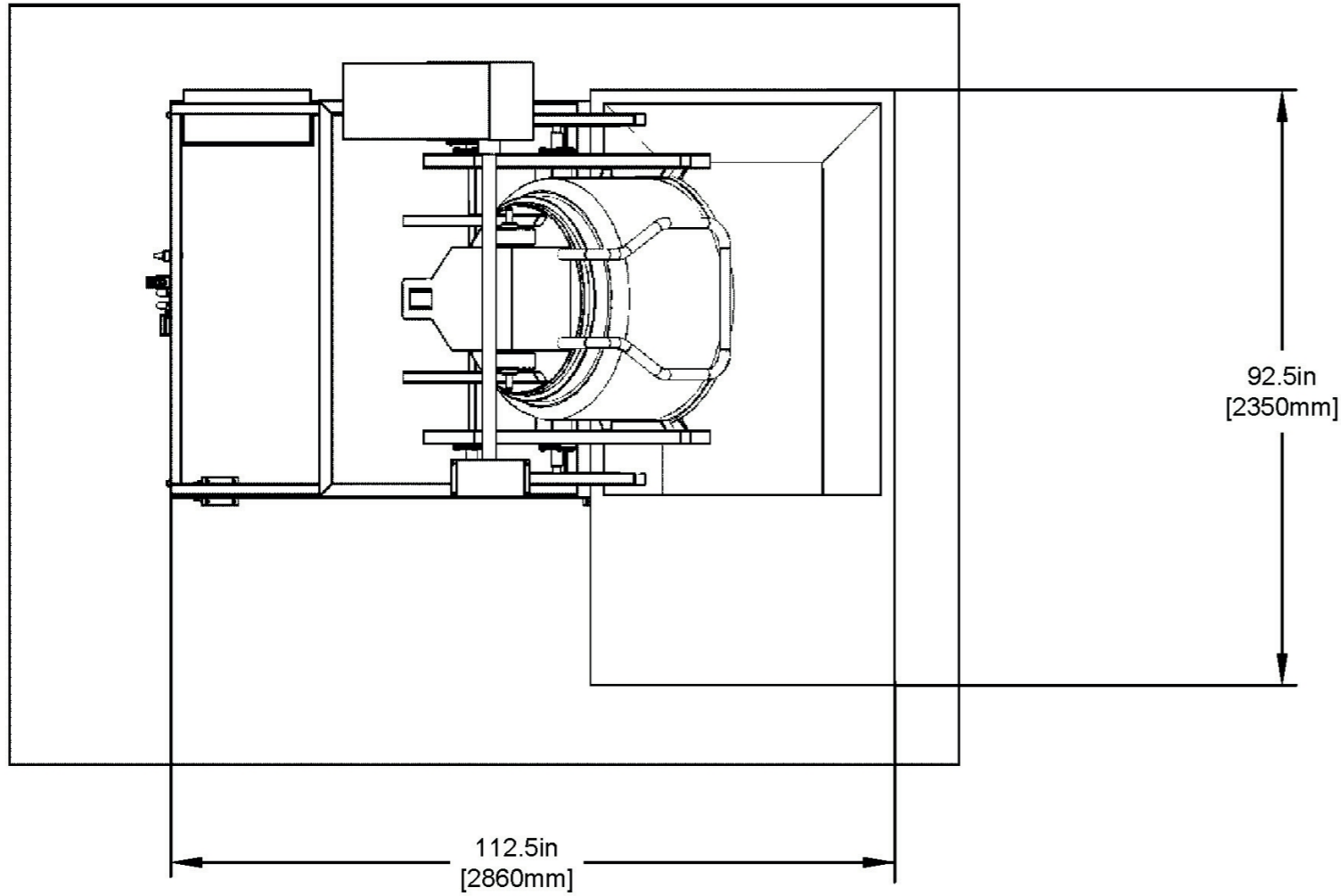
ISCA
Stainless Steel Fabrication



PROPRIETARY AND CONFIDENTIAL

The information contained in this drawing is the sole property of ISCA
Any reproduction, in part or as a whole, without the written permission of ISCA is prohibited.

Unless otherwise specified:
Dimensions are in inches [mm]
Surface finish:
Tolerances: imperial [metric(±15)]
Linear: x.xx 0.2 (.xxx 0.01)
Angular: xx' 010



product no:
**ISCA- Mixing Bowl Dumper
- Double Column**

1 2 3 4 5 6

High-level lift + tip



Store + Transport



**ISCA's
Bakery Bowl
Solutions**



Low-level lift + tip



Table Tip