

Features

Manual boot washers
Available in single, double or triple bay formats.

The boot washer comes with: handheld brush, auto-dosing cleaning agent function, adjustable feet, steadying support handle, high splash back, fitted sink hole plug with waste attachment, and sloped drainage – to assist water and debris moving away from the wash area.

A knee/hand push button dispenses water and disinfectant solution. The button is found in the centre, at the top of the unit. The dispense time is set at approx. 10 seconds and adjustable. This unit comes fully assembled – plumbing hardware to mains supply is not included.

ISCA's manual boot washers are affordable, convenient and efficient. They are particularly suitable for locations with limited space, and for industries that require a plug and play solution, and/or relocation throughout a project's life time.

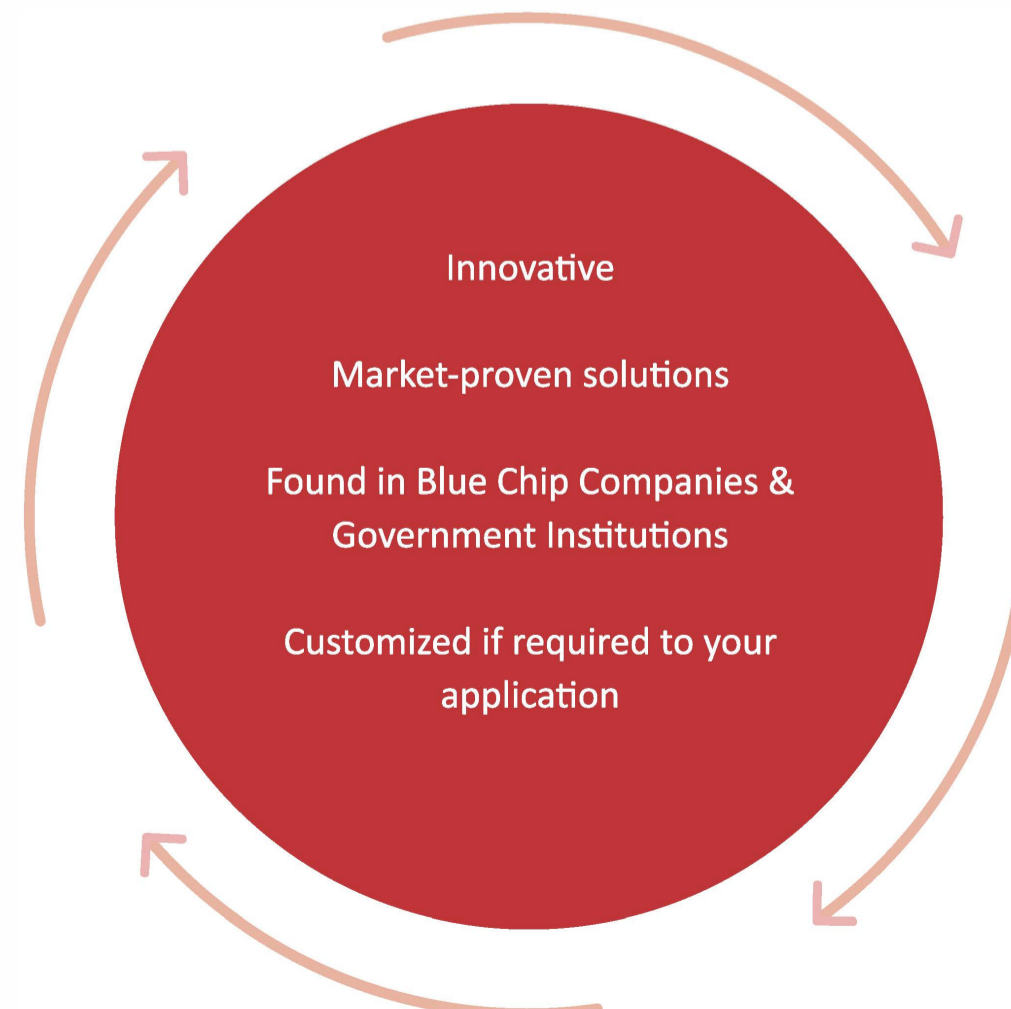
Technical Specifications

ISCA's manual boot washers are robust, floor-mounted units, manufactured from Stainless Steel Grade 304, with high anti-corrosion resistance.

- Sgl bay station - 22"(560mm) Wide x 24.7"(628mm) Deep x 40.3"(1024mm) High / 44lbs (20kg)
- Dbl bay station - 41.7"(1060mm) x 24.7"(628mm) x 40.3"(1024mm) / 88lbs (40kg)
- Trp bay station - 61.4"(1560mm) x 24.7"(628mm) x 40.3"(1024mm) / 132lbs (60kg)
- Water inlet 1/2" (DN 15) male
- Sink hole diameter 1.93" (49mm)
- Stainless steel Grade 304

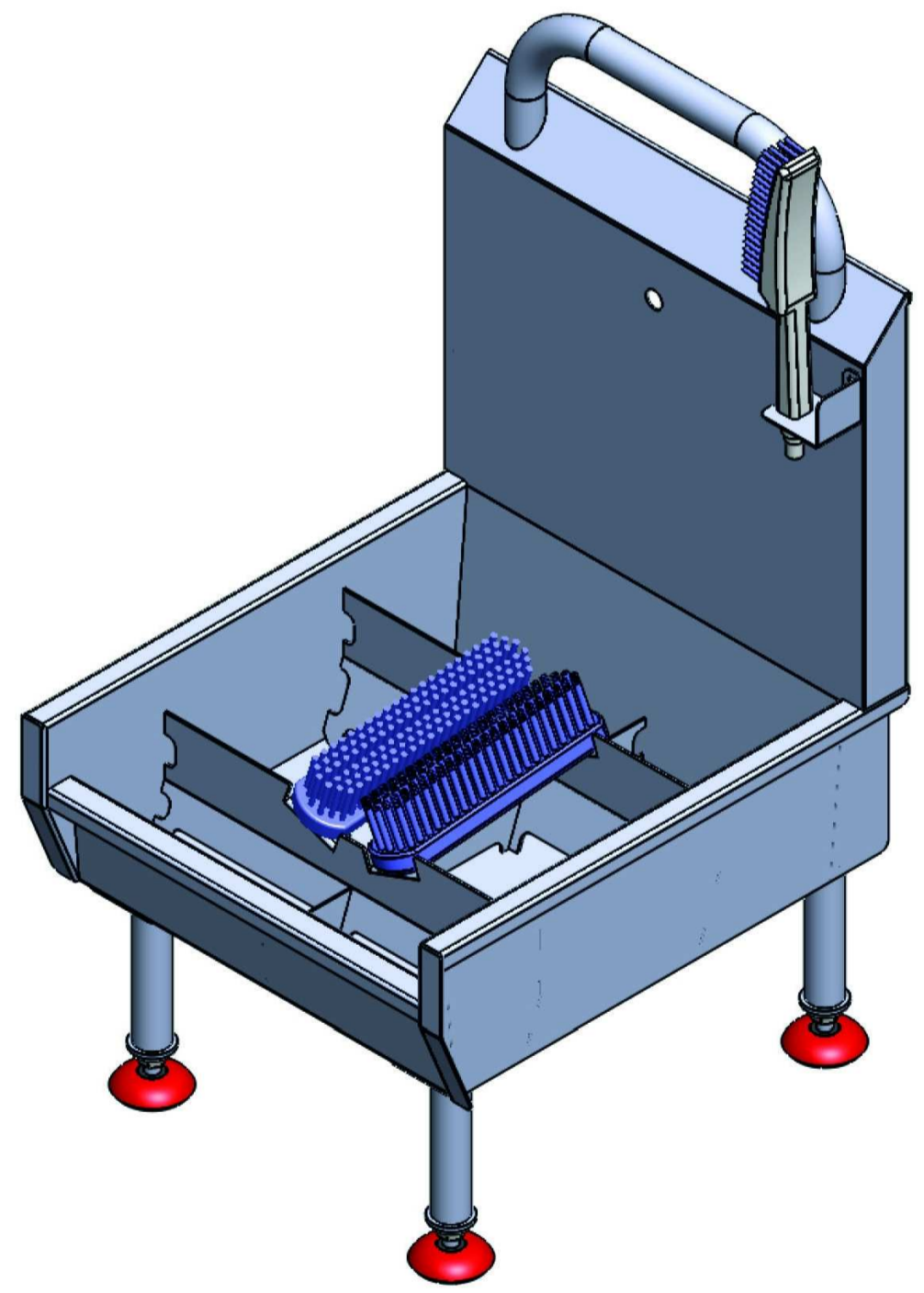
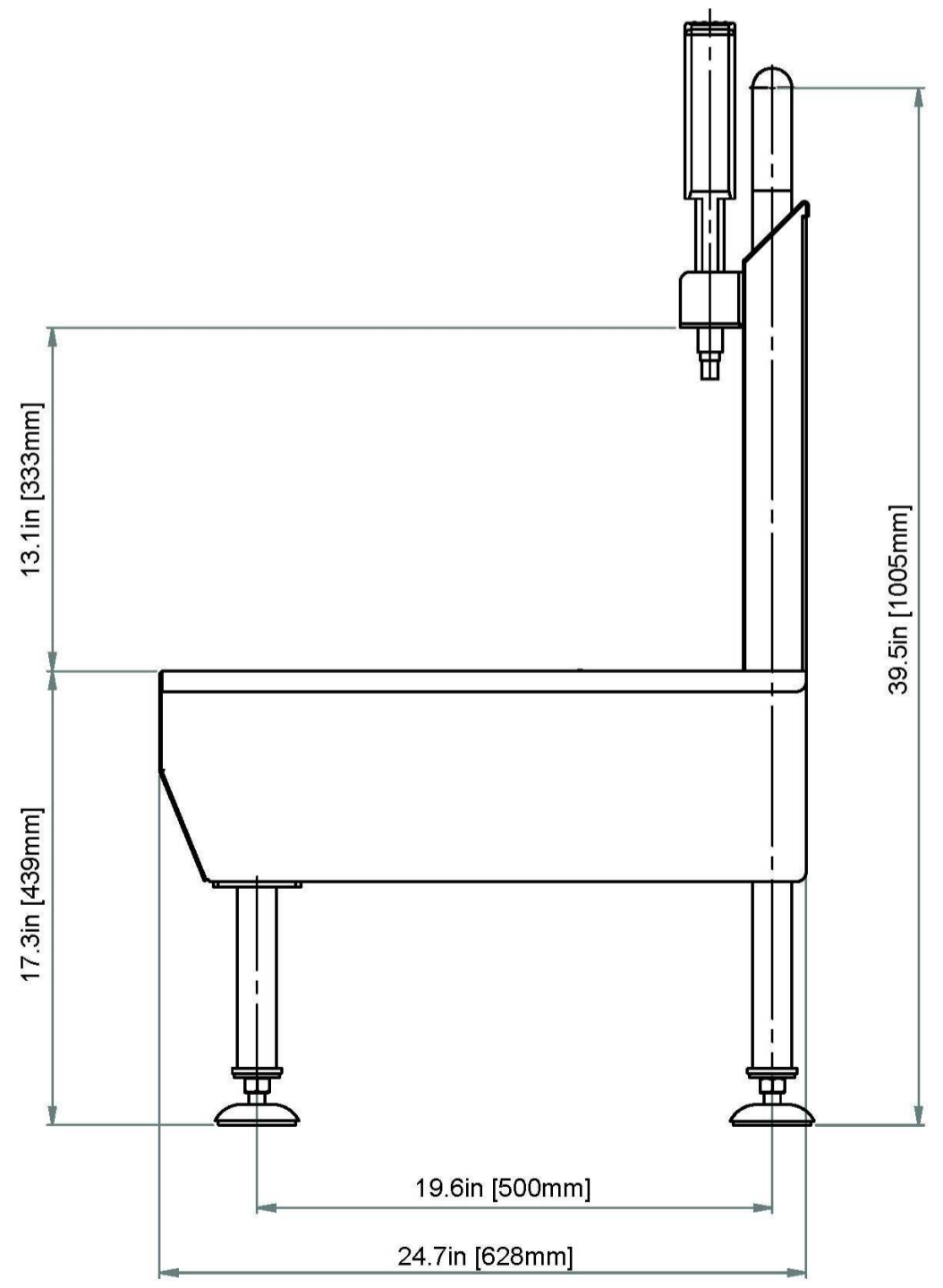
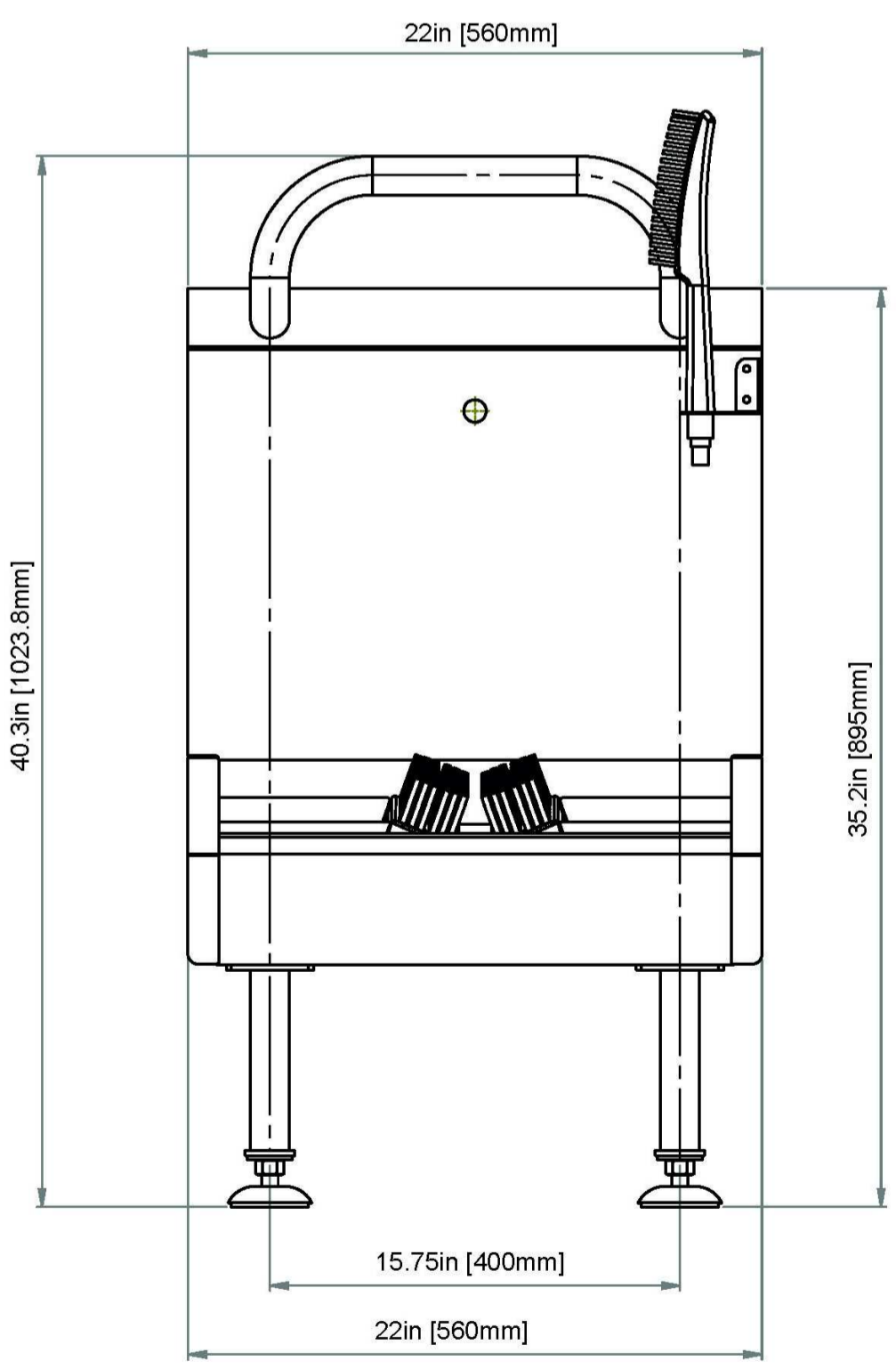
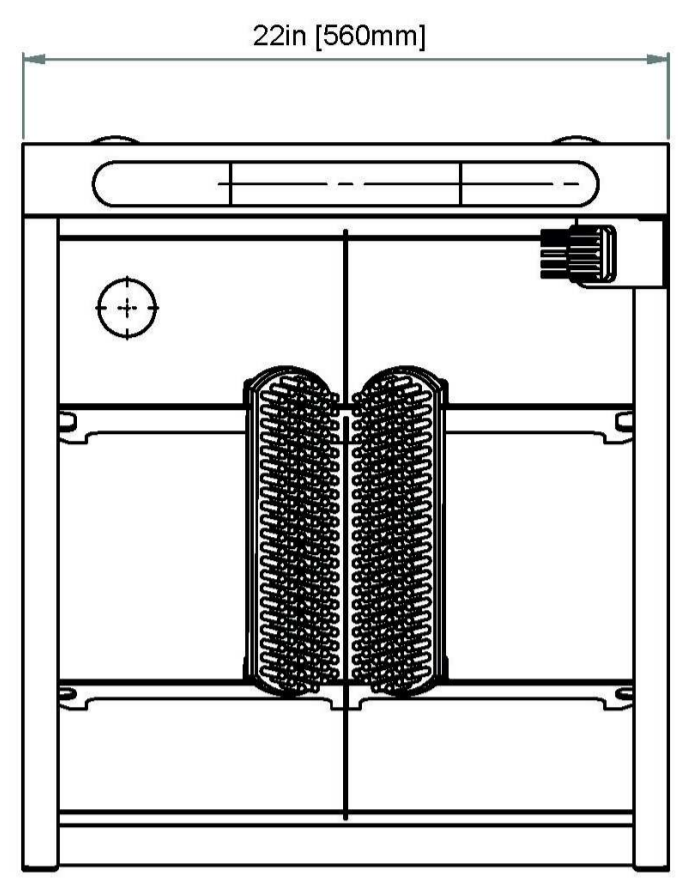
Customized options available

Unit made from Stainless steel Grade 316 for high salt / NaCl atmospheric conditions.



1 2 3 4 5 6 7 8

A
B
C
D
E
F



PROPRIETARY AND CONFIDENTIAL
 The information contained in this drawing is the sole property of ISCA
 Any reproduction, in part or as a whole, without the written permission of ISCA is prohibited.

Unless otherwise specified:
 Dimensions are in inches [mm]
 Surface finish:
 Tolerances: imperial [metric(±15)]
 Linear: x.xx 0.2 (.xxx 0.01)
 Angular: xx' 010

product no:
ISCA- C011 - Single Bay Station

1 2 3 4 5 6 7 8

1 2 3 4 5 6 7 8

A

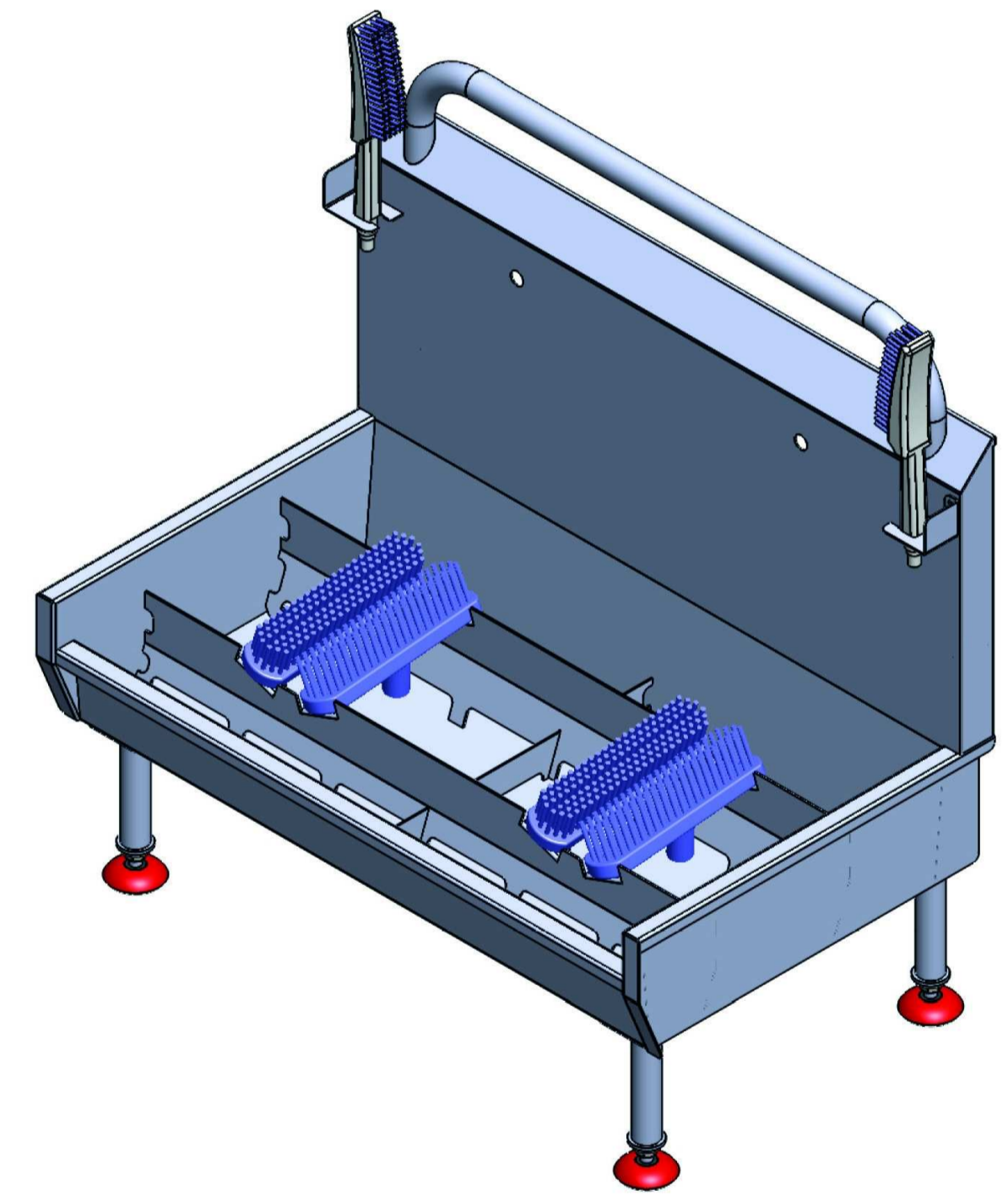
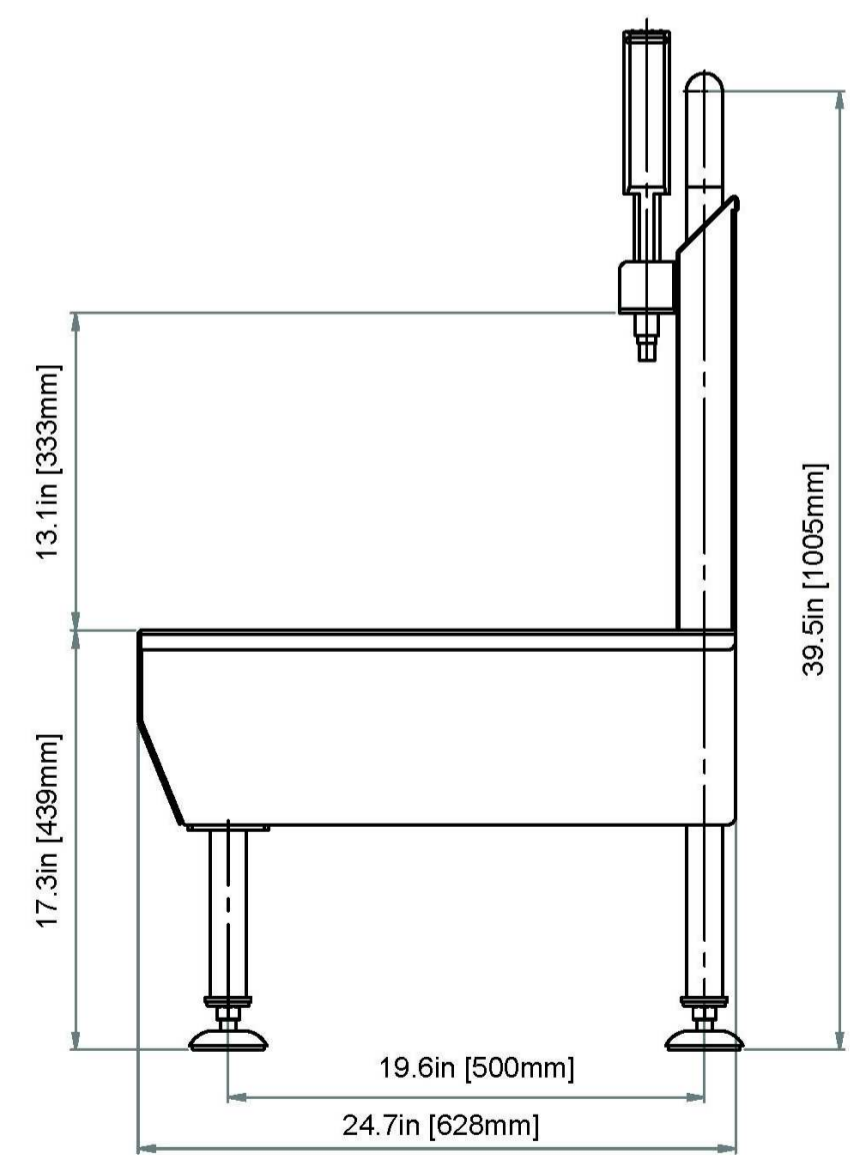
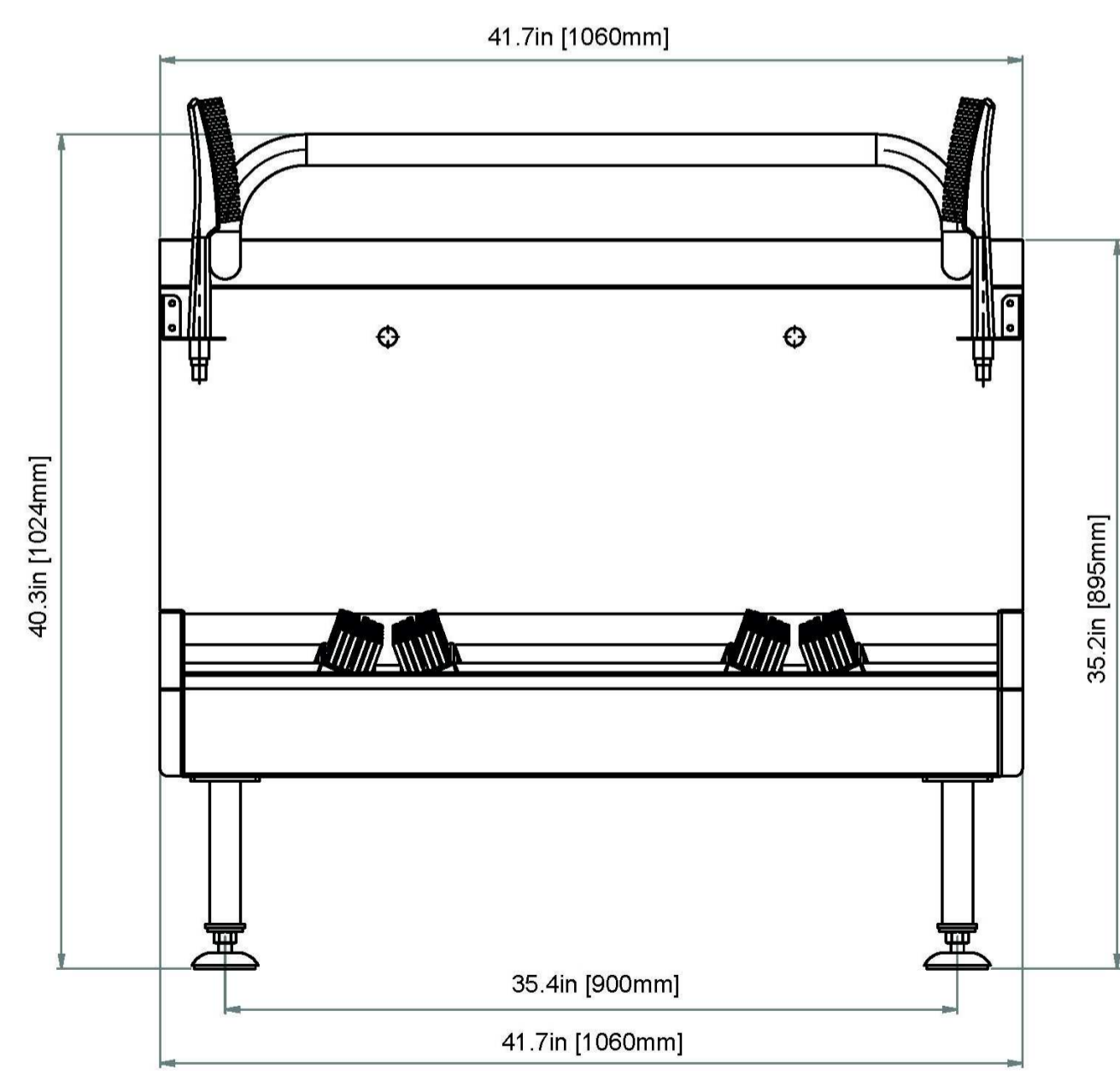
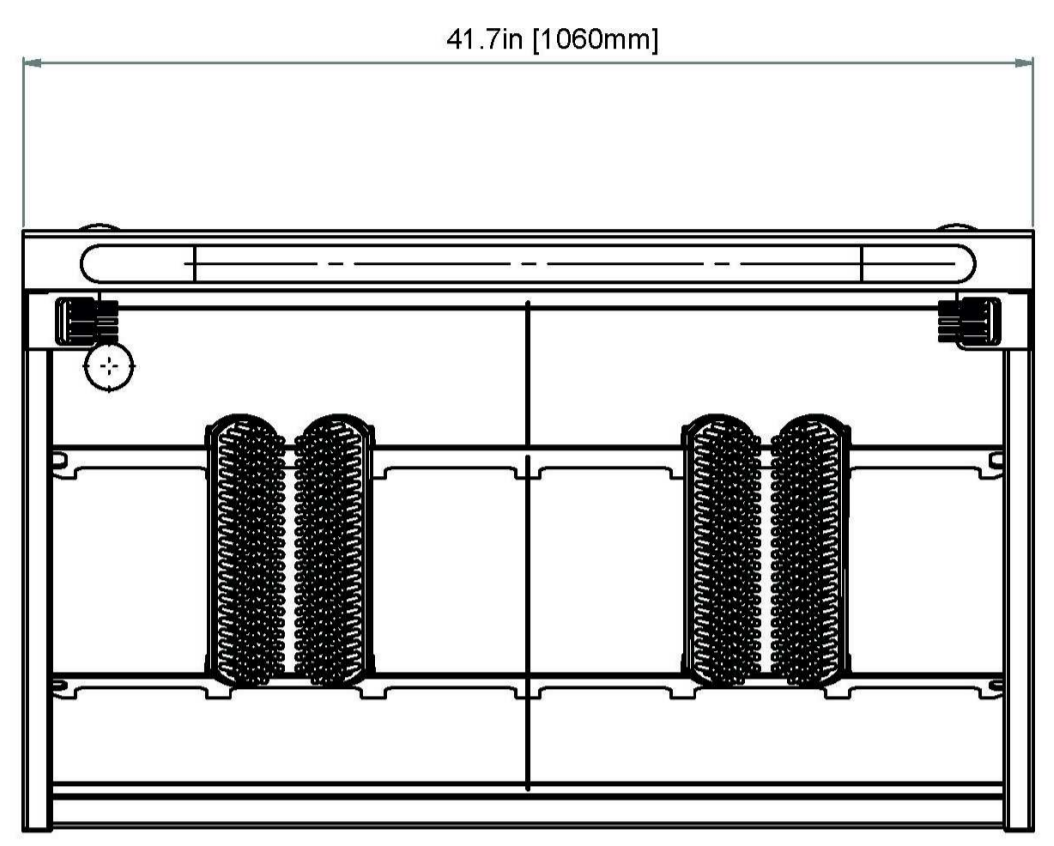
B

C

D

E

F



PROPRIETARY AND CONFIDENTIAL
 The information contained in this drawing is the sole property of ISCA
 Any reproduction, in part or as a whole, without the written permission of ISCA is prohibited.

Unless otherwise specified:
 Dimensions are in inches [mm]
 Surface finish:
 Tolerances: imperial [metric (±15)]
 Linear: x.xx 0.2 (.xxx 0.01)
 Angular: xx' 010

product no:
ISCA- C012 - Double Bay Station

1 2 3 4 5 6 7 8

1 2 3 4 5 6 7 8

A

B

C

D

E

F

A

B

C

D

E

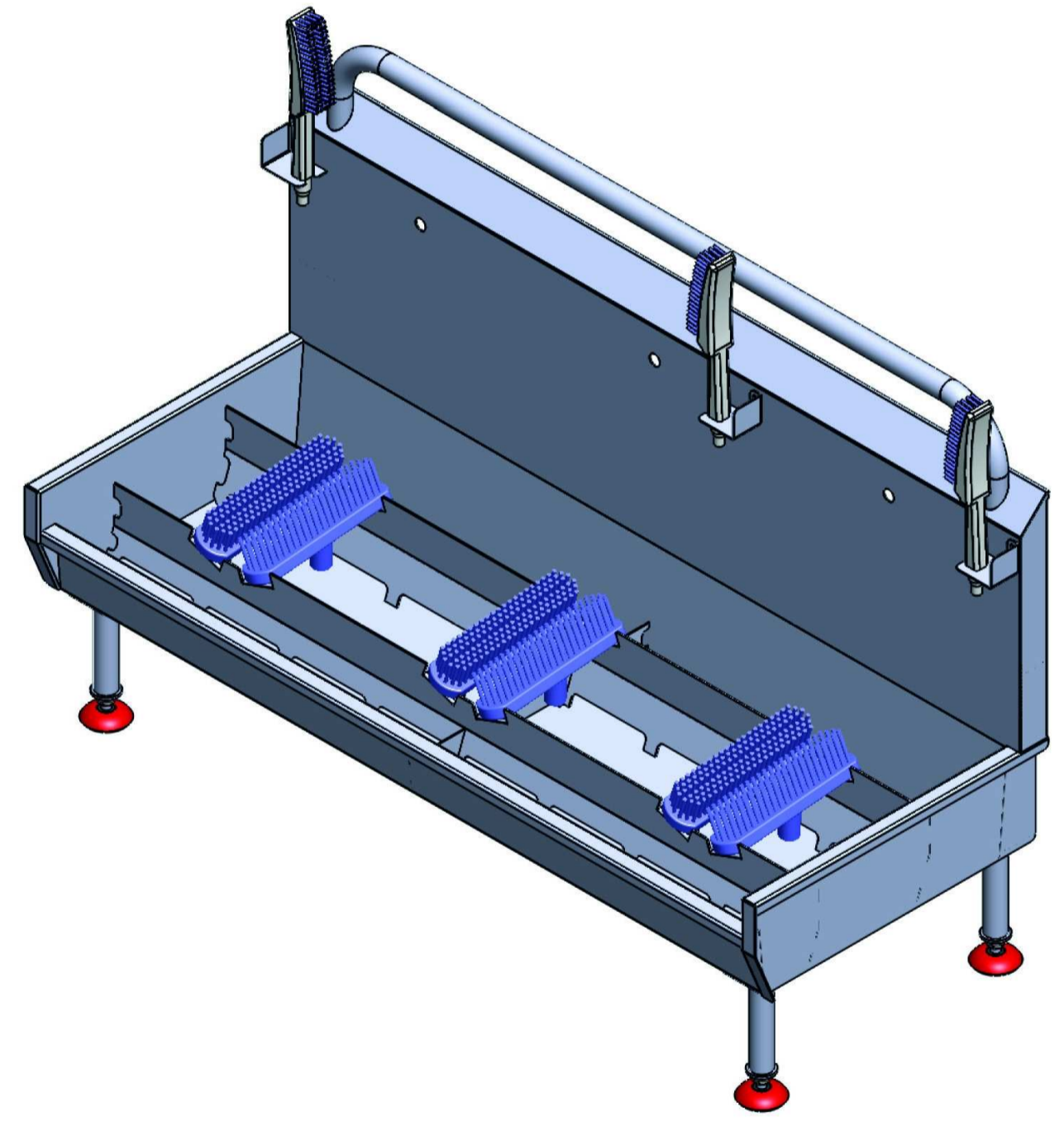
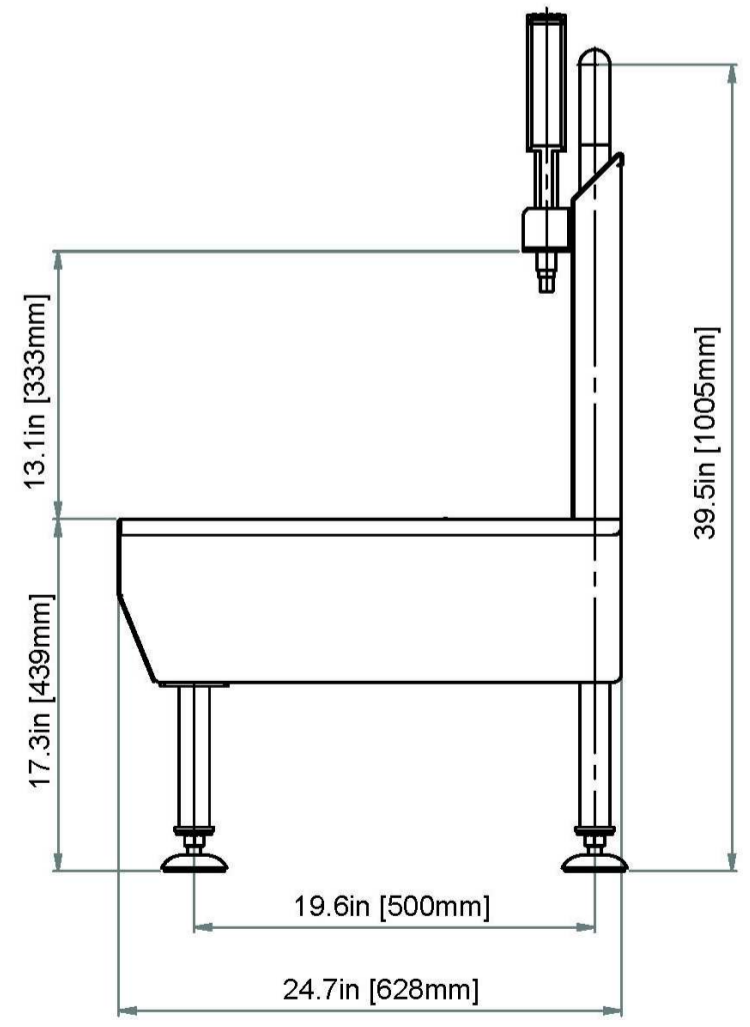
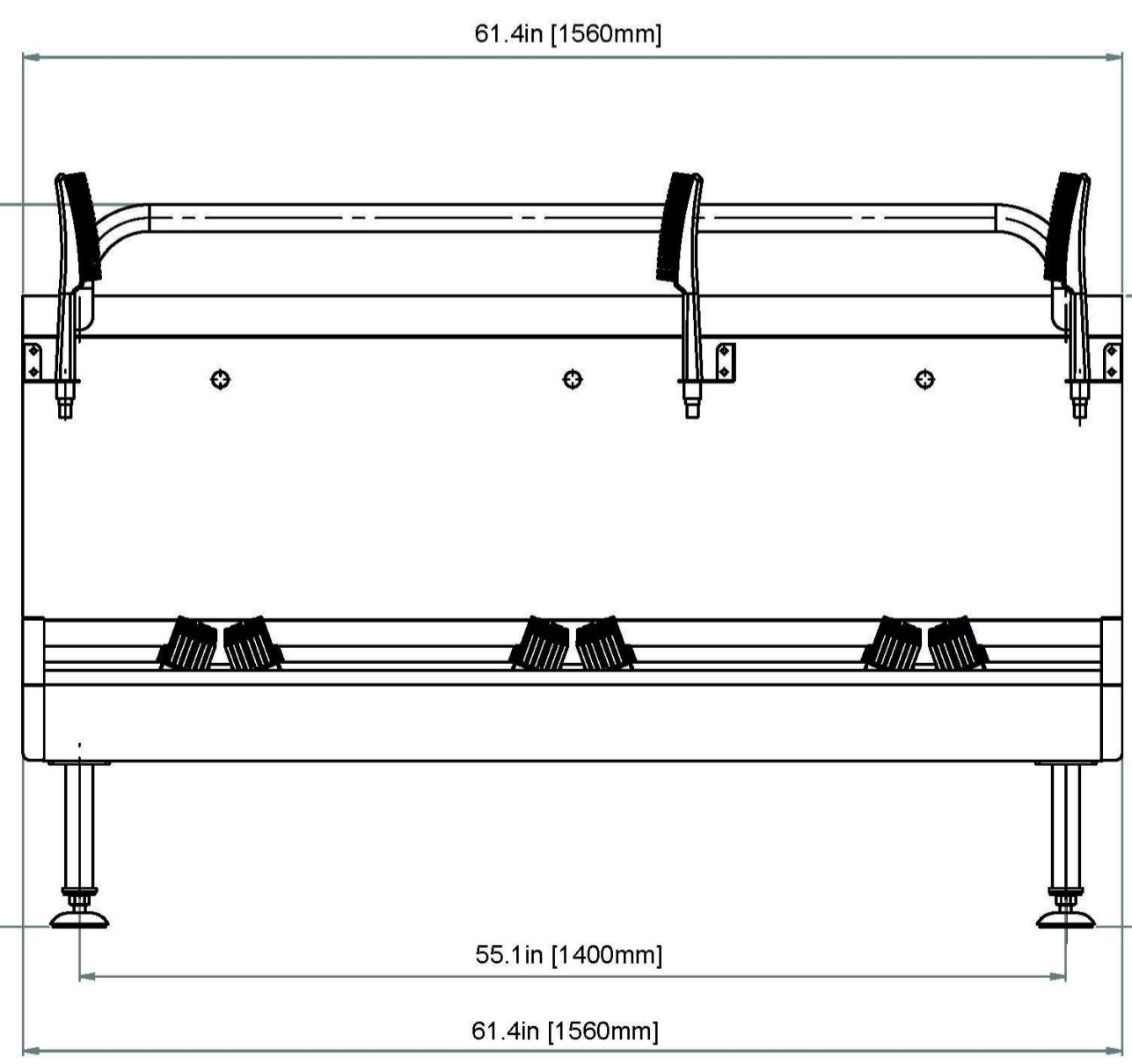
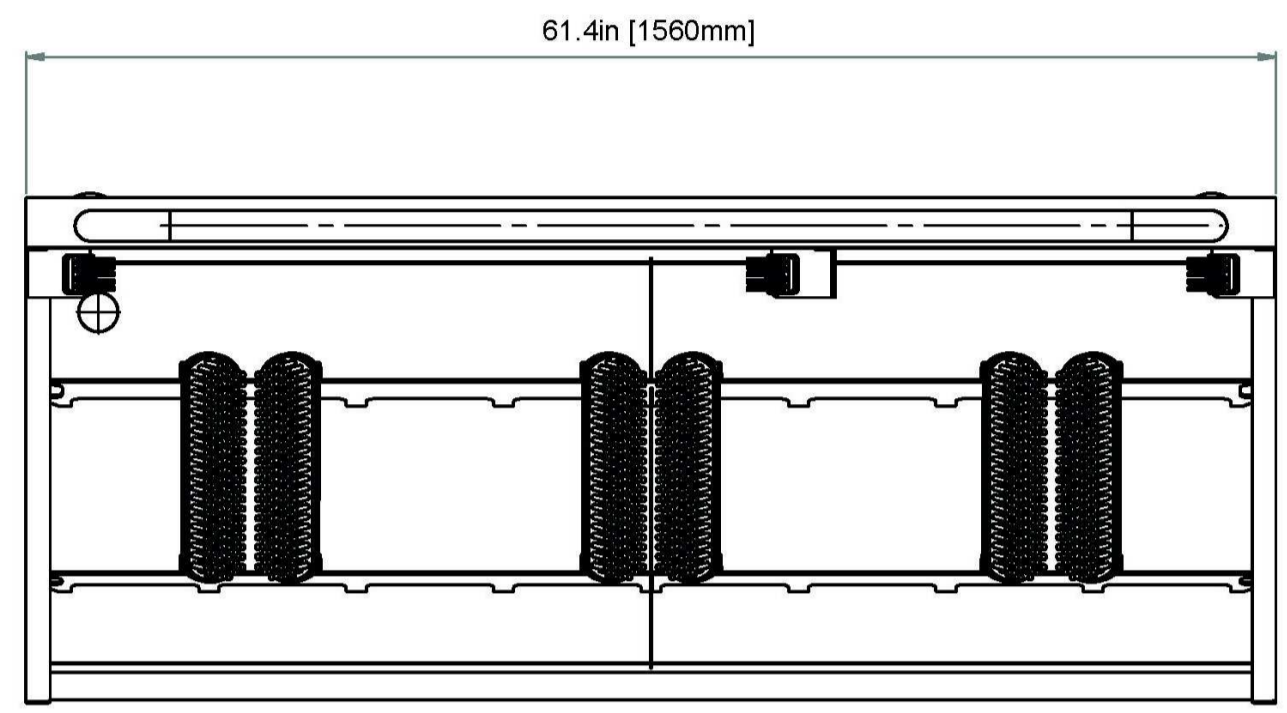
F

ISCA
Stainless Steel Fabrication



PROPRIETARY AND CONFIDENTIAL
The information contained in this drawing is the sole property of ISCA
Any reproduction, in part or as a whole, without the written permission of ISCA is prohibited.

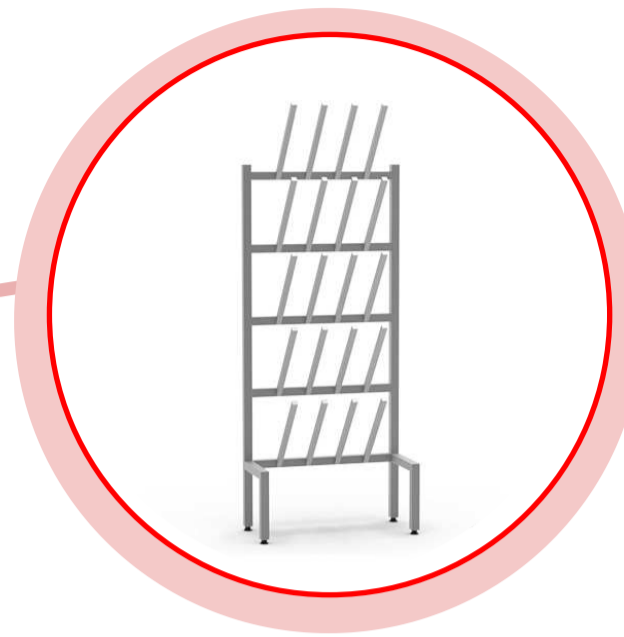
Unless otherwise specified:
Dimensions are in inches [mm]
Surface finish:
Tolerances: imperial [metric (±15)]
Linear: x.xx 0.2 (.xxx 0.01)
Angular: xx' 010



product no:
**ISCA- C013 - Triple
Bay Station**

1 2 3 4 5 6 7 8

Footwear storage



Workwear storage



**ISCA's
Hygiene
Equipment
Solutions**

Hygiene entrance stations



Manual bootwashers



Hand washing



Automatic boot washers