

Features

A Walk-through automatic boot washer for hygienic entrance corridors entering into production areas.
For cleaning the sole and calf of footwear.

Features:

- Stainless steel Grade 304
- Welded body
- Adjustable leg height
- Robust brushes

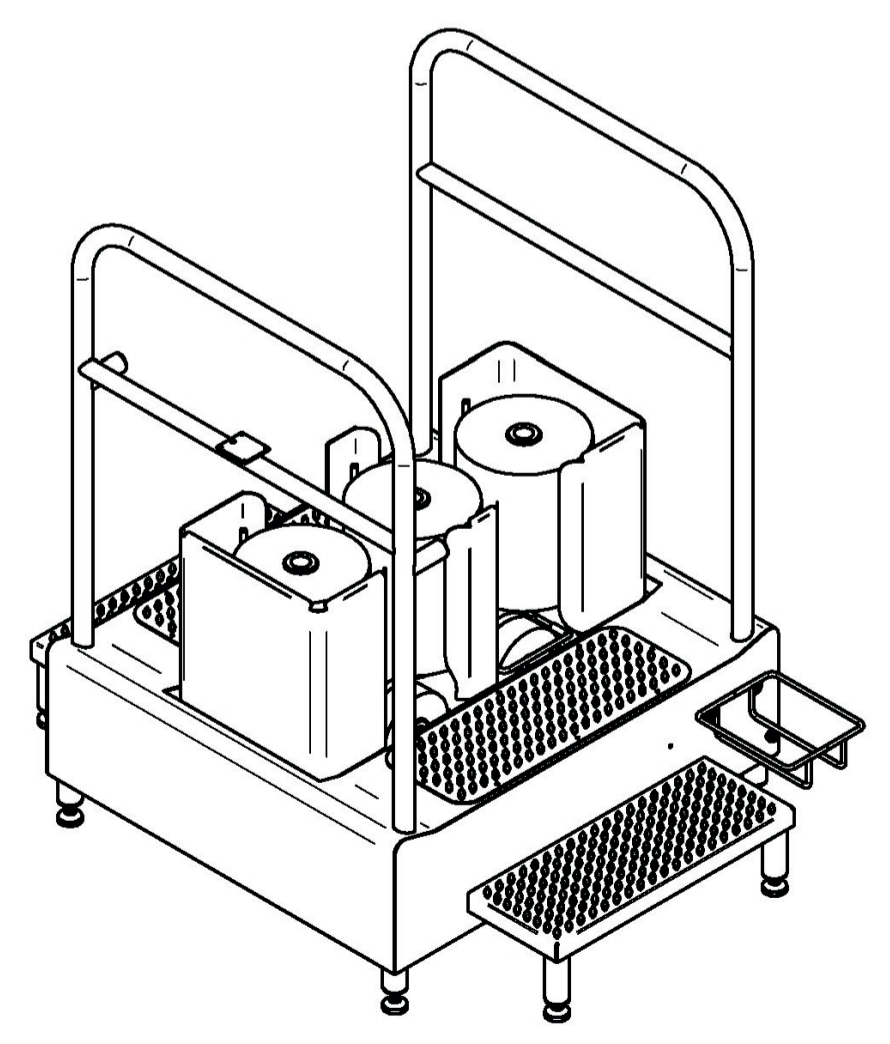
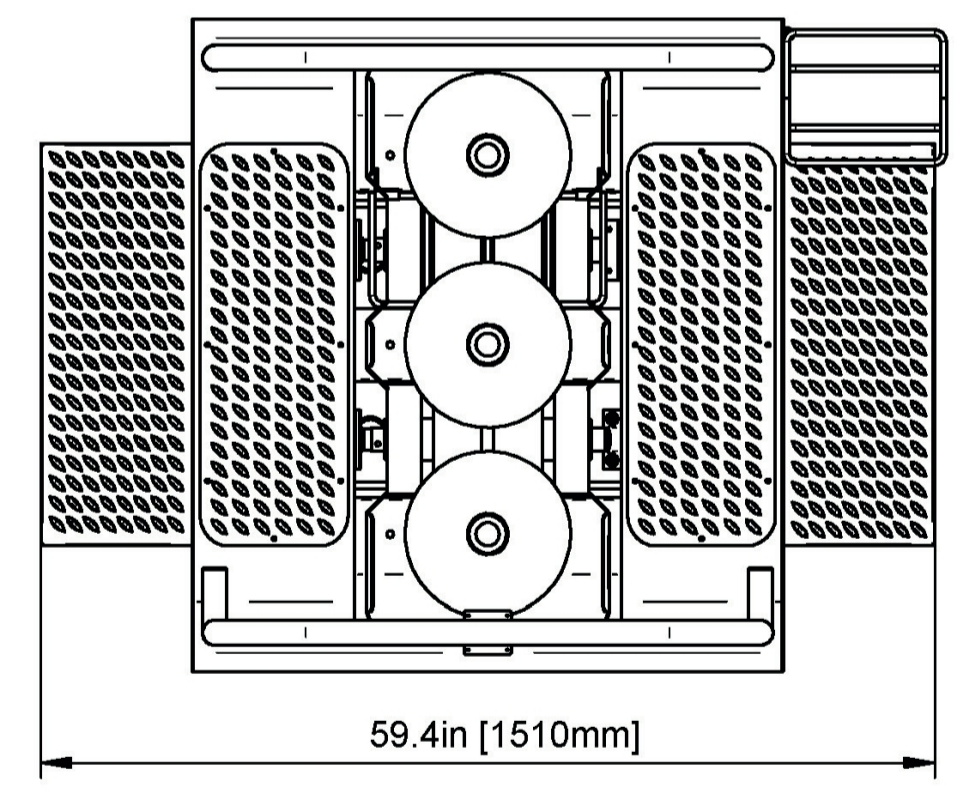
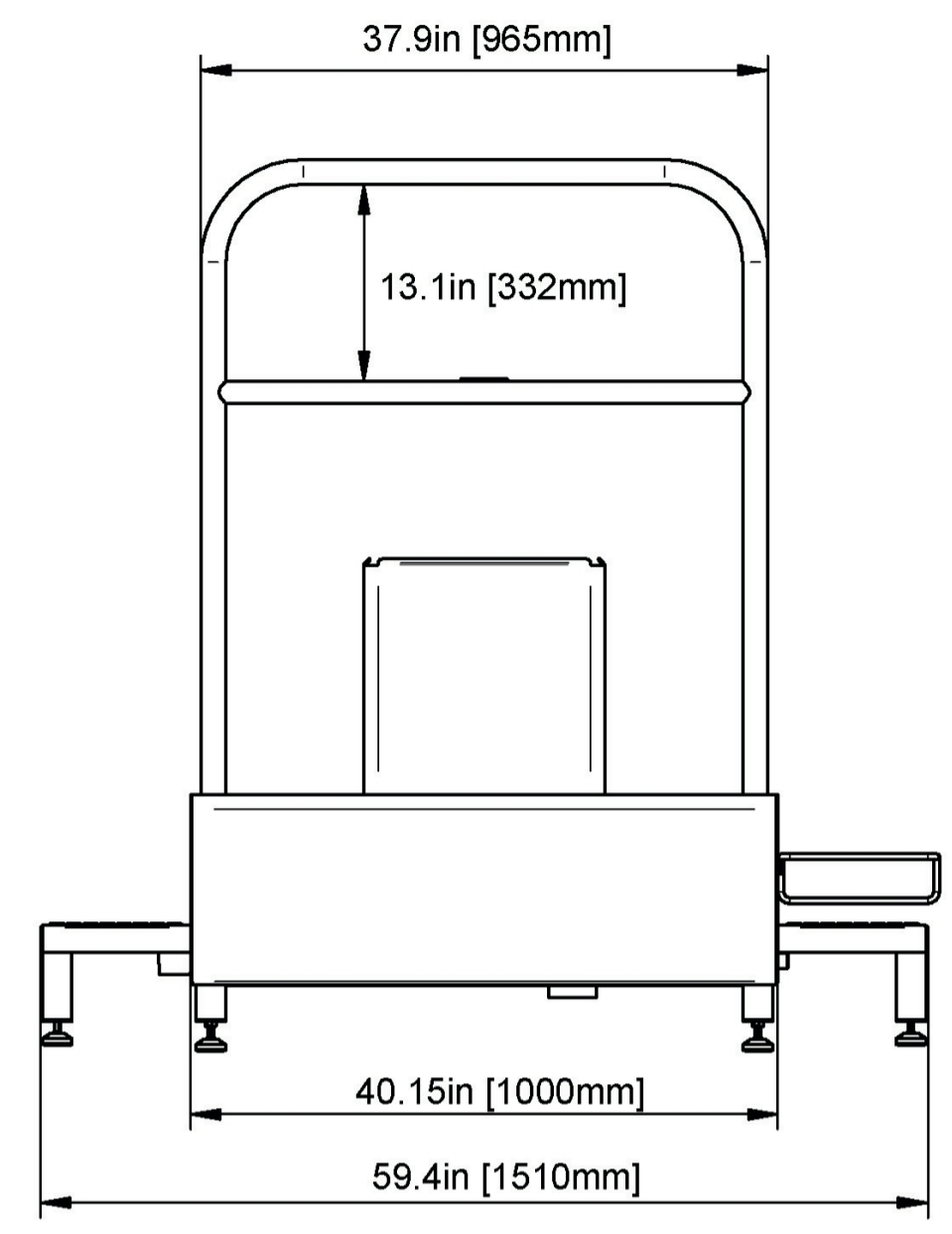
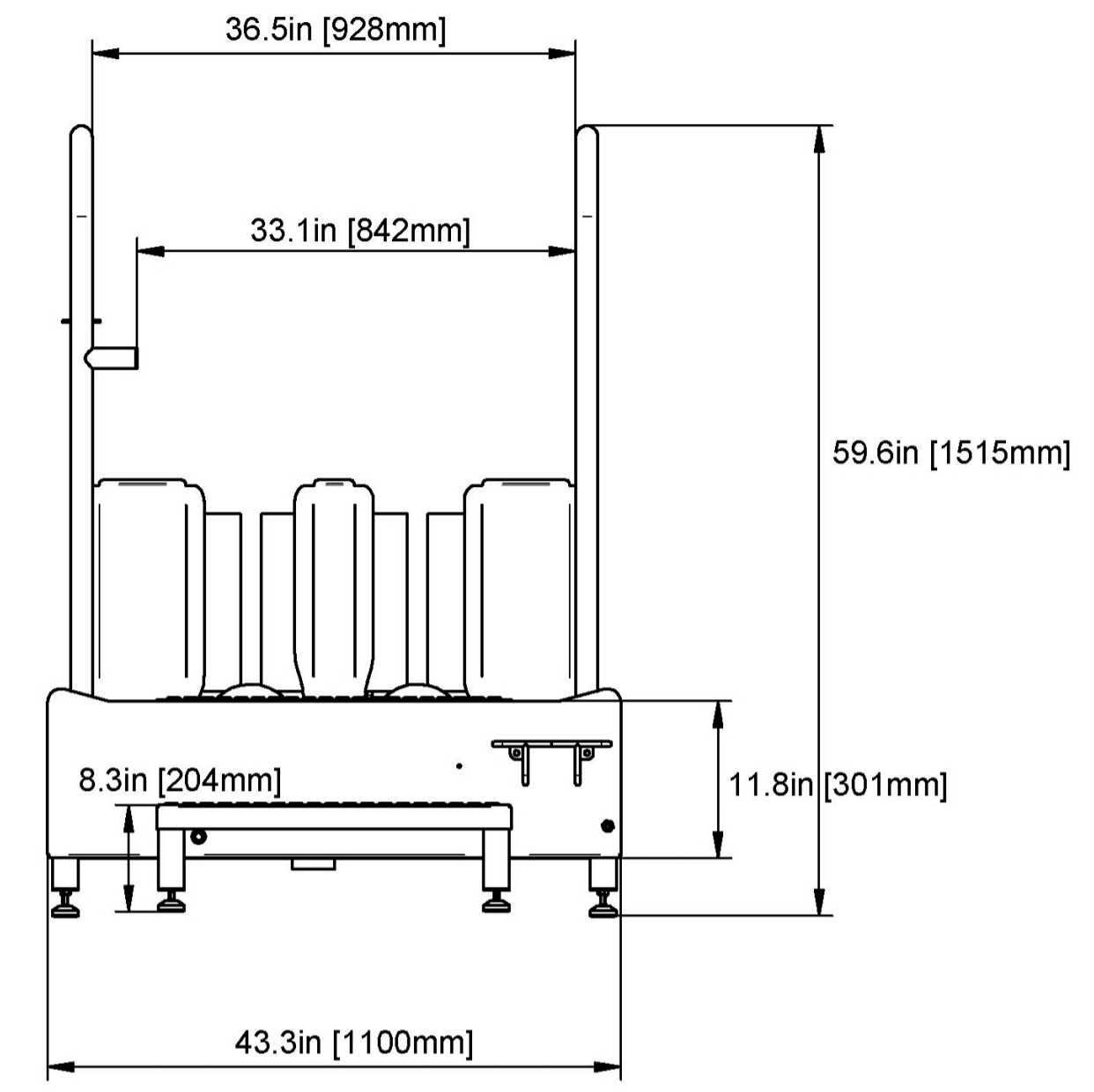
Technical Specifications

- Dimensions LxWxH : 59.4" / 1510 x 43.3" / 1100 mm x 59.6" / 1515 mm
- 5 independent brushes
- Power supply 480V AC, 60 Hz,
- Water supply 3/4"
- Wastewater outflow diam. 50mm



1 2 3 4 5 6 7 8

A
B
C
D
E
F



1 2 3 4 5 6 7 8



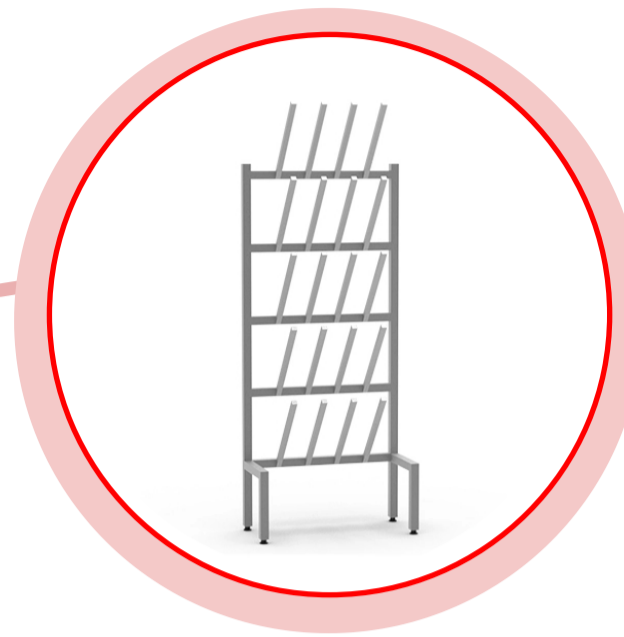
ISCA
Stainless Steel Fabrication

PROPRIETARY AND CONFIDENTIAL
The information contained in this drawing is the sole property of ISCA
Any reproduction, in part or as a whole, without the written permission of ISCA is prohibited.

Unless otherwise specified:
Dimensions are in inches [mm]
Surface finish:
Tolerances: imperial [metric(±15)]
Linear: x.xx 0.2 (.xxx 0.01)
Angular: xx' 010

product no:
**ISCA Compact
Bootwasher**

Footwear storage



Workwear storage



**ISCA's
Hygiene
Equipment
Solutions**

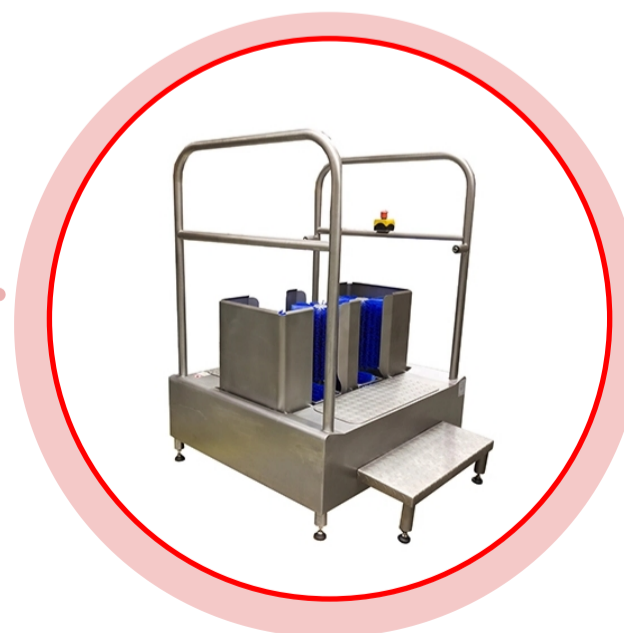
Hygiene entrance stations



Manual bootwashers



Hand washing



Automatic boot washers