

ISCA - Automatic Sole Washer with Handwash Brush

Features

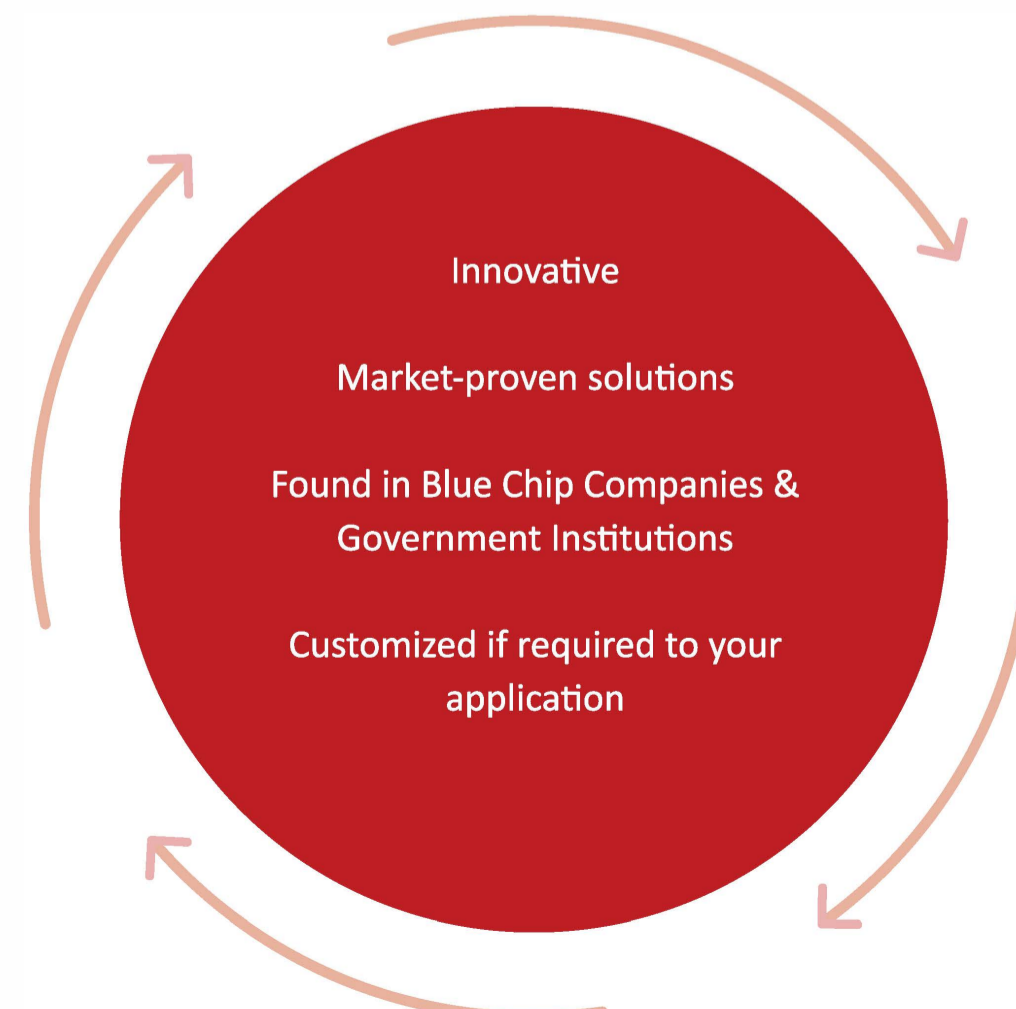
An automatic sole washer with handheld brush for the cleaning of footwear.

Features:

- Stainless steel Grade 304
- Welded body
- Adjustable leg height
- Compact design
- Heavy-duty robust brushes

Technical Specifications

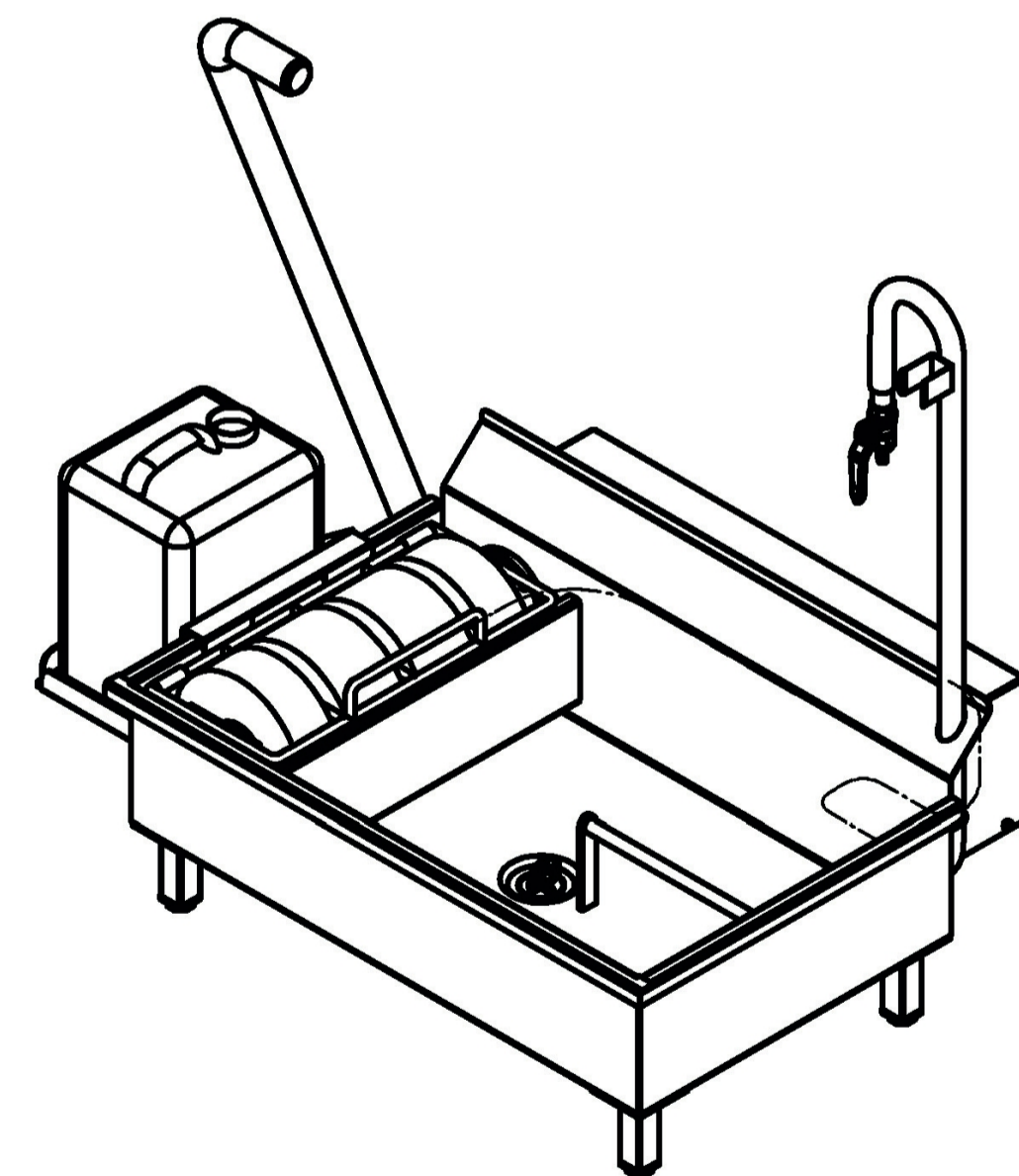
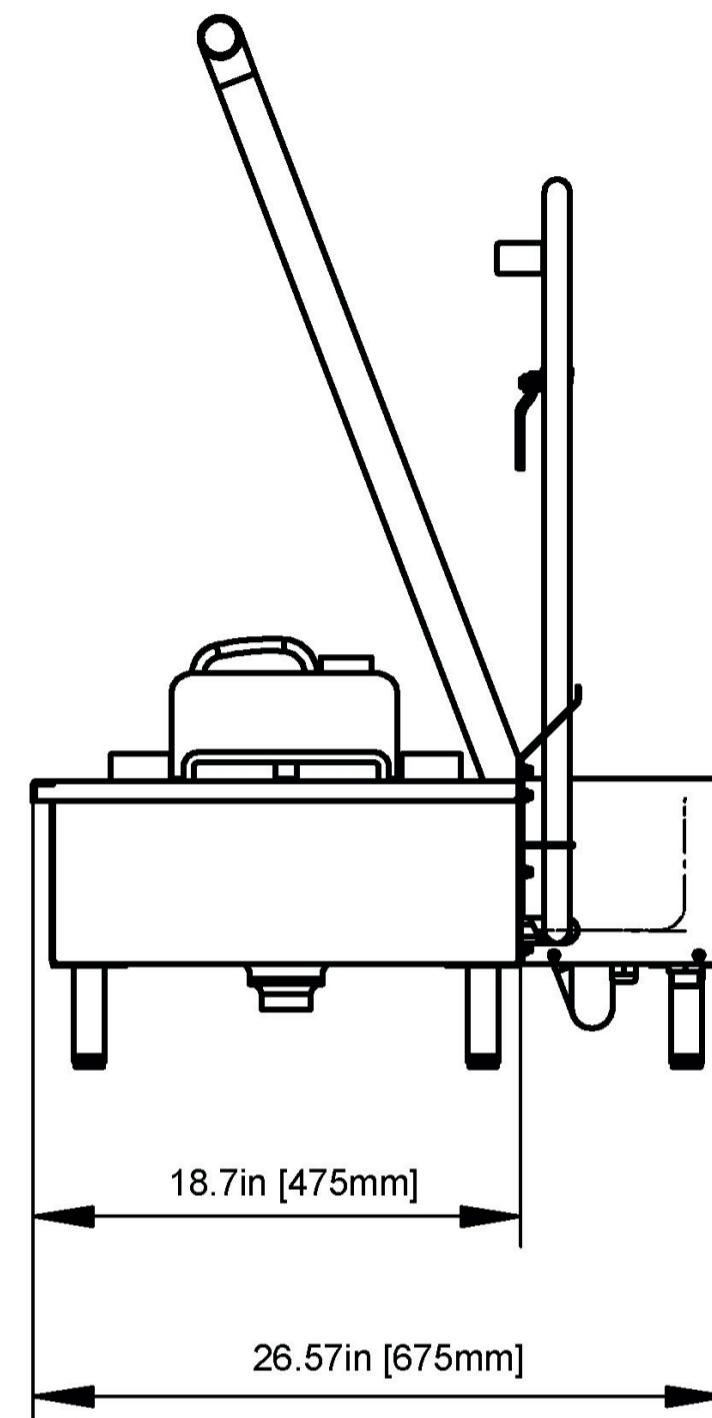
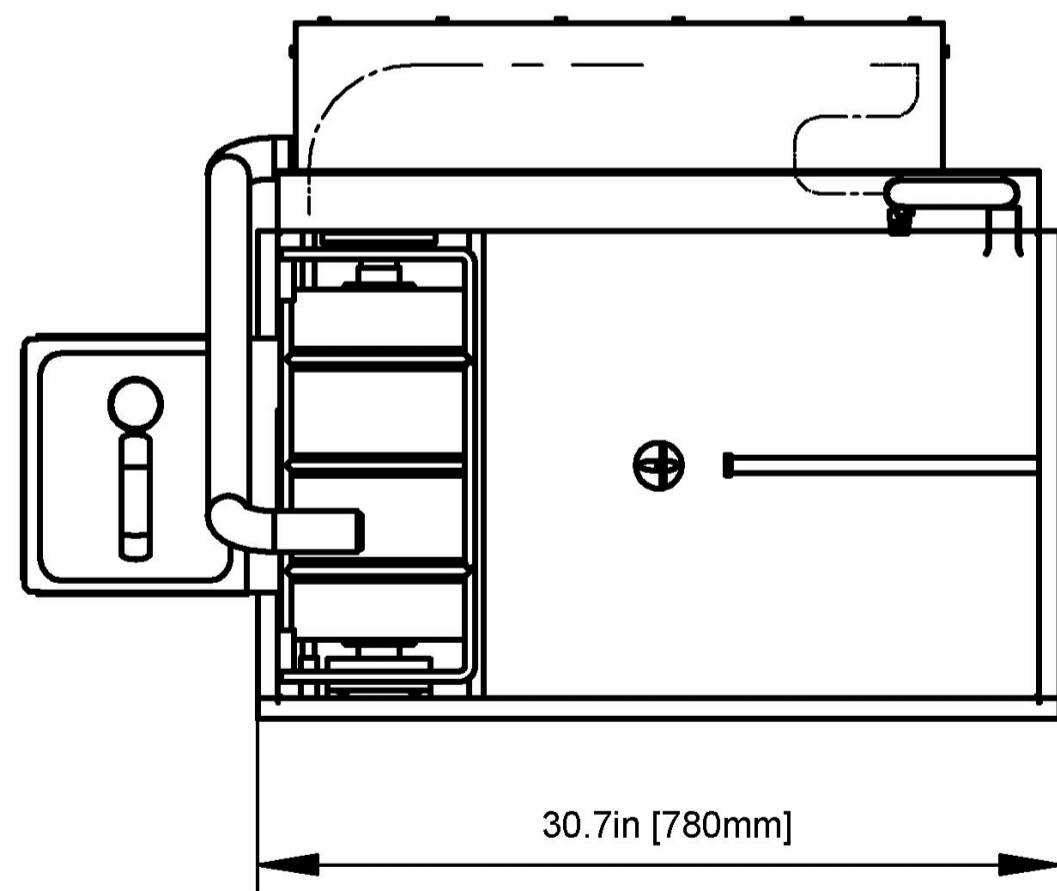
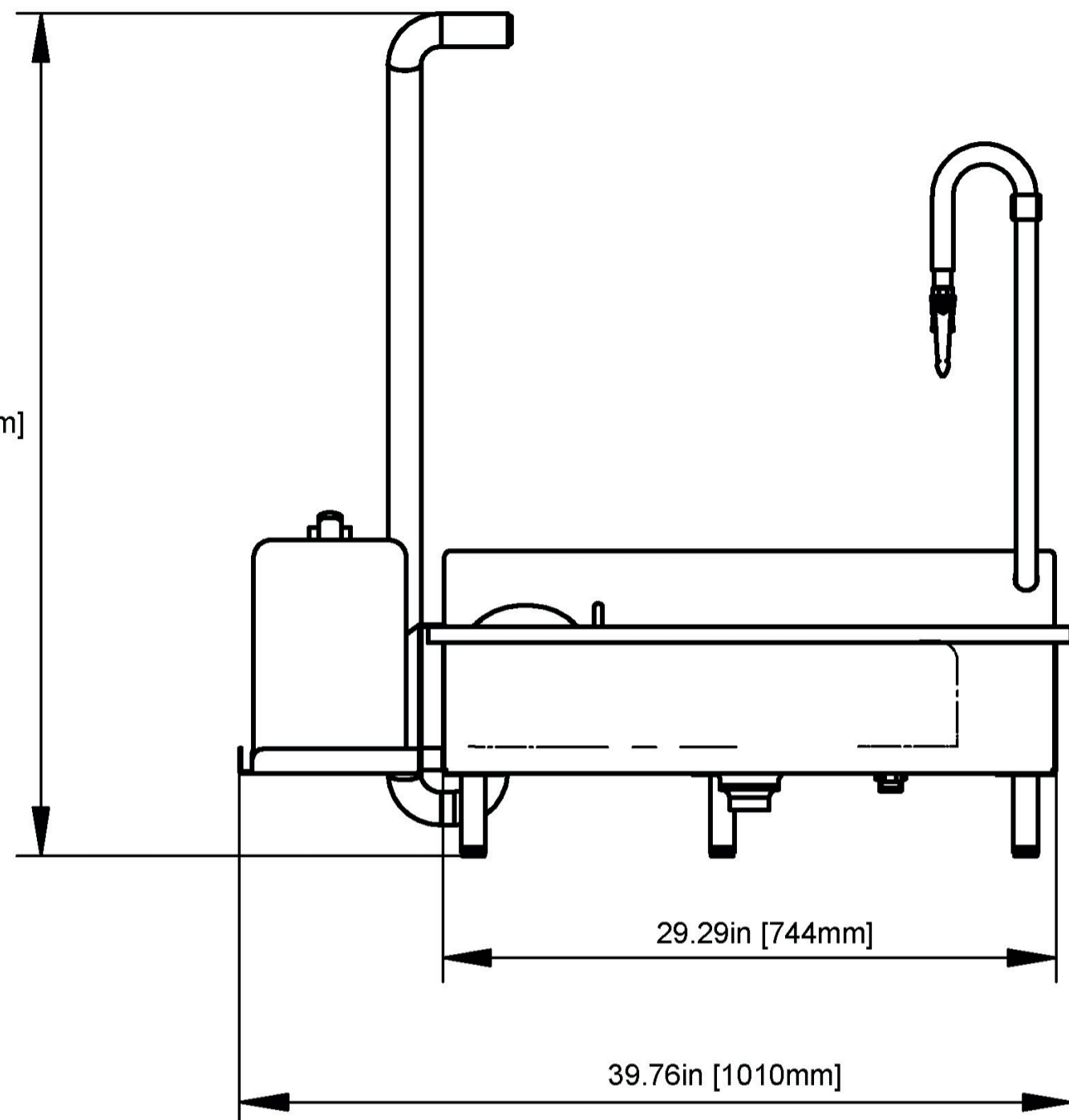
- Dimensions: 1000 x 676 x 1028 mm
- Power supply 480V AC, 60 Hz
- Water supply 3/4"
- Wastewater drainage 1 1/2"



1 2 3 4 5 6 7 8

A
B
C
D
E
F

40.15in [1020mm]



ISCA
Stainless Steel Fabrication



PROPRIETARY AND CONFIDENTIAL

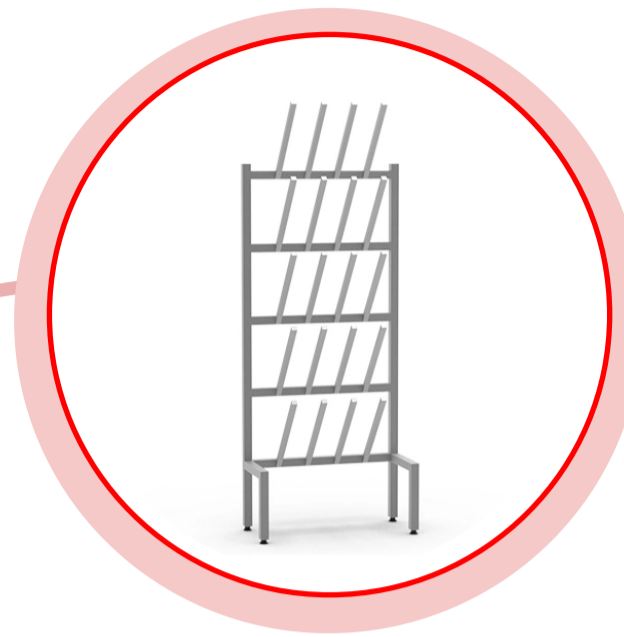
The information contained in this drawing is the sole property of ISCA
Any reproduction, in part or as a whole, without the written permission of ISCA is prohibited.

Unless otherwise specified:
Dimensions are in inches [mm]
Surface finish:
Tolerances: imperial [metric(±15)]
Linear: x.xx 0.2 (.xxx 0.01)
Angular: xx' 010

product no:
**ISCA - Automatic Sole
Washer with Handwash
Brush**

1 2 3 4 5 6 7 8

Footwear storage

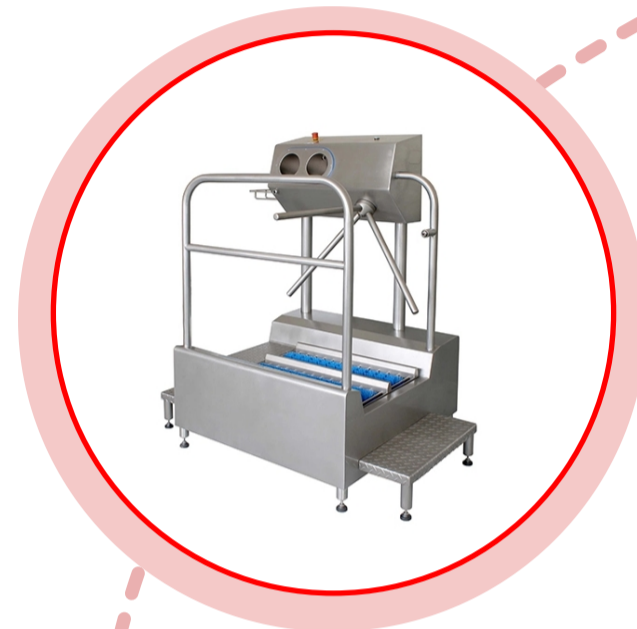


Workwear storage



**ISCA's
Hygiene
Equipment
Solutions**

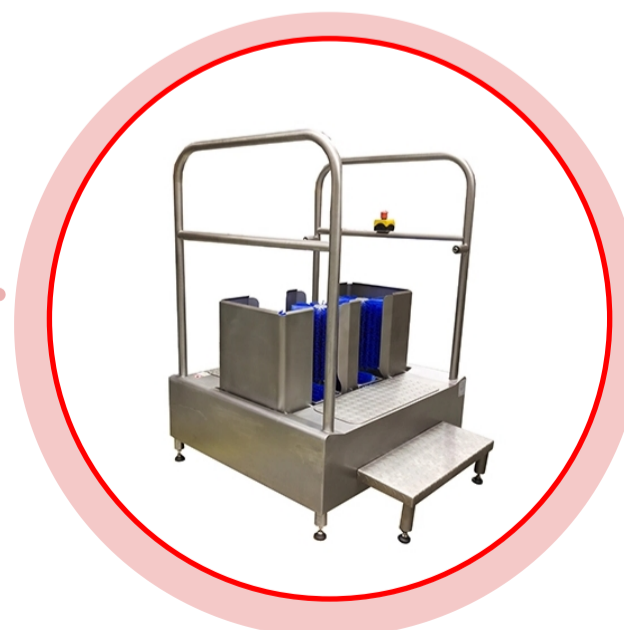
Hygiene entrance stations



Manual bootwashers



Hand washing



Automatic boot washers