

Features

A compact automatic sole washer for the cleaning of footwear.

Features:

- Stainless steel Grade 304
- Welded body
- Adjustable leg height
- Compact design
- Heavy-duty, robust brushes
- Automatic detergent dispenser

Technical Specifications

Dimensions: 335 x 765 x 1120 mm

-Power supply 480V AC, 60 Hz

-Water supply 3/4"

-Wastewater drainage 1"



1 2 3 4 5 6 7 8

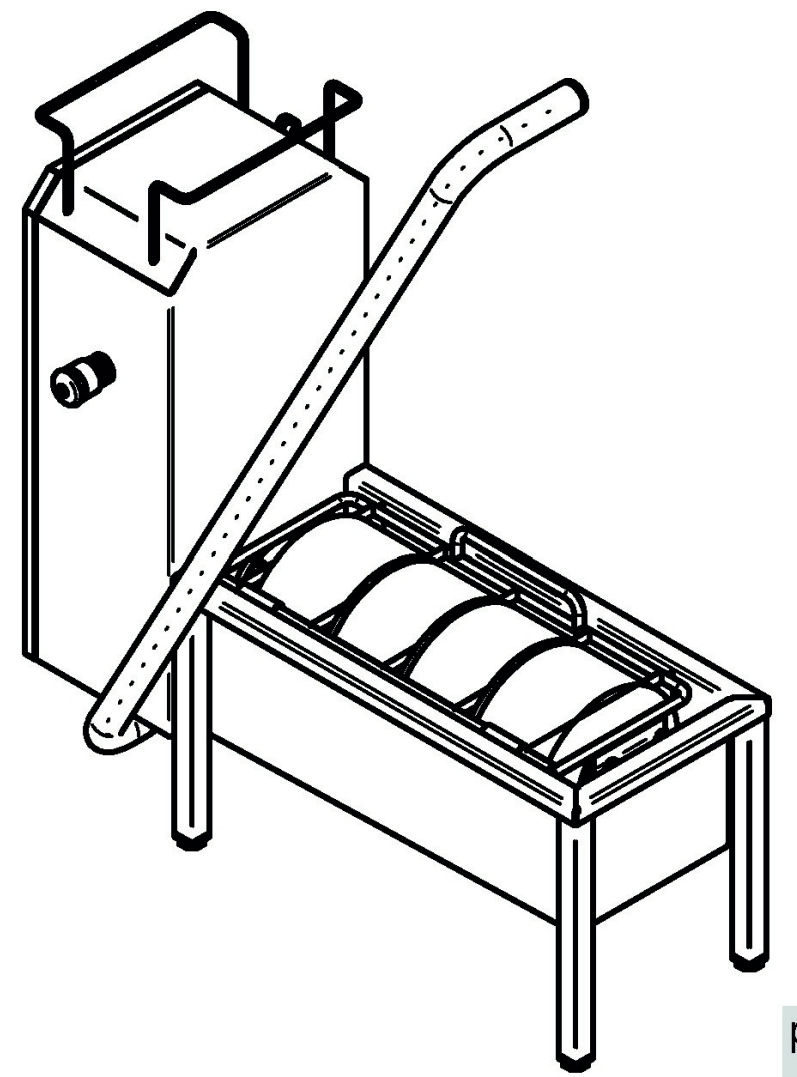
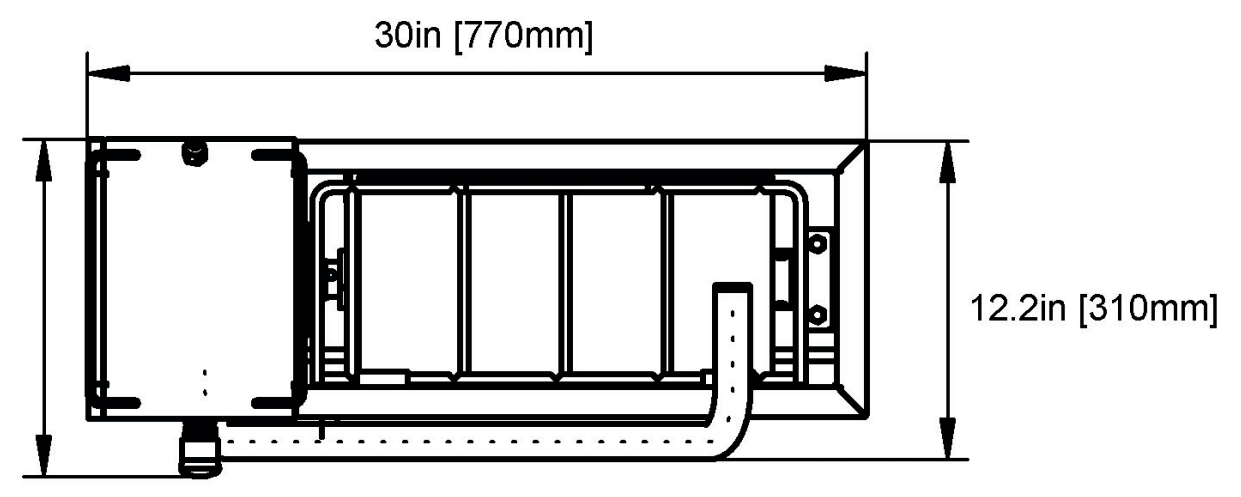
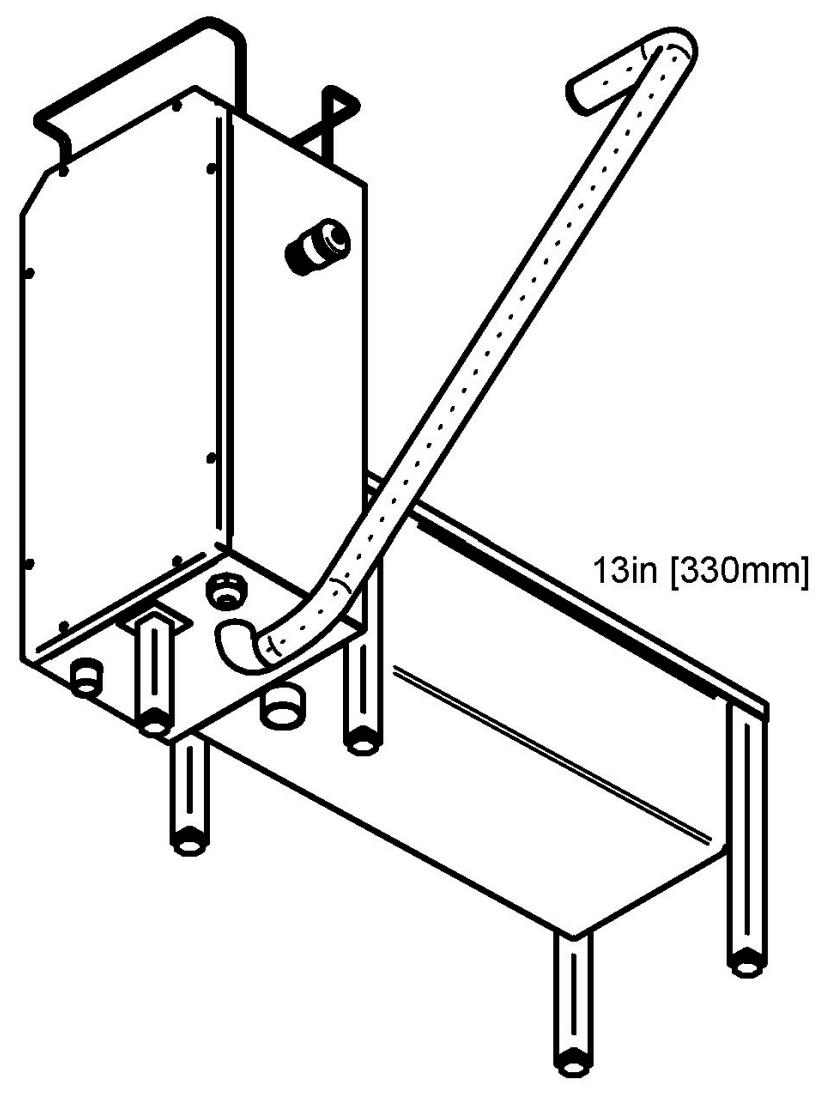
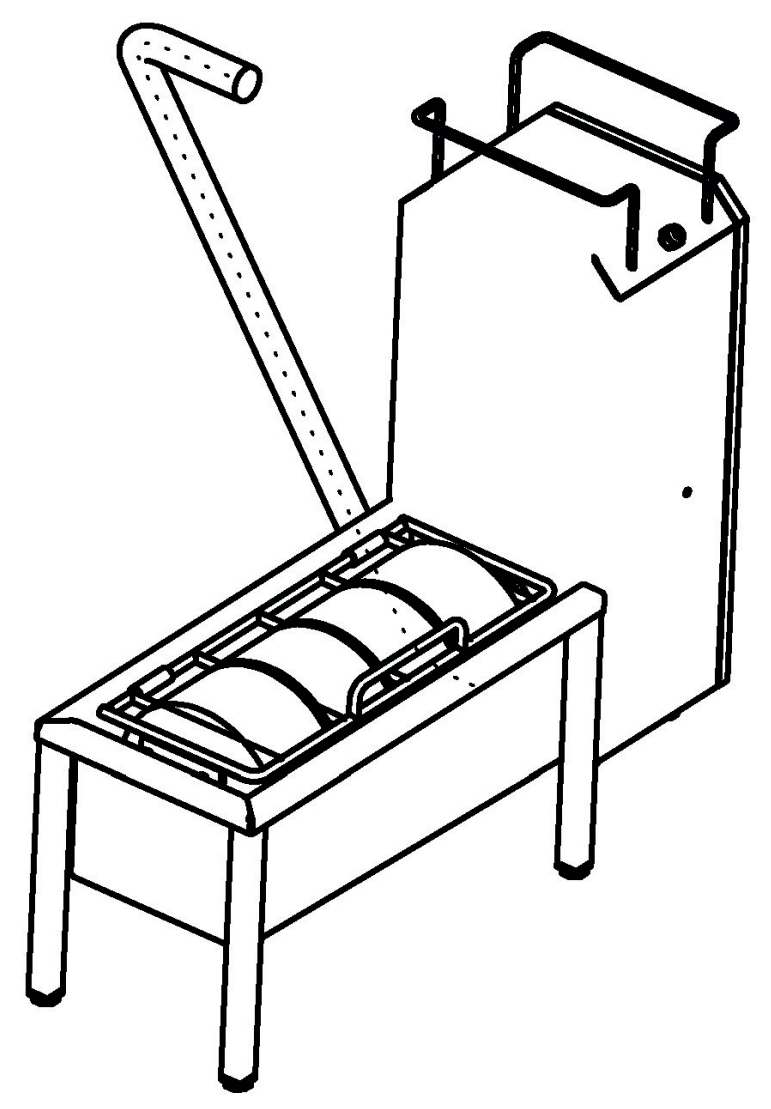
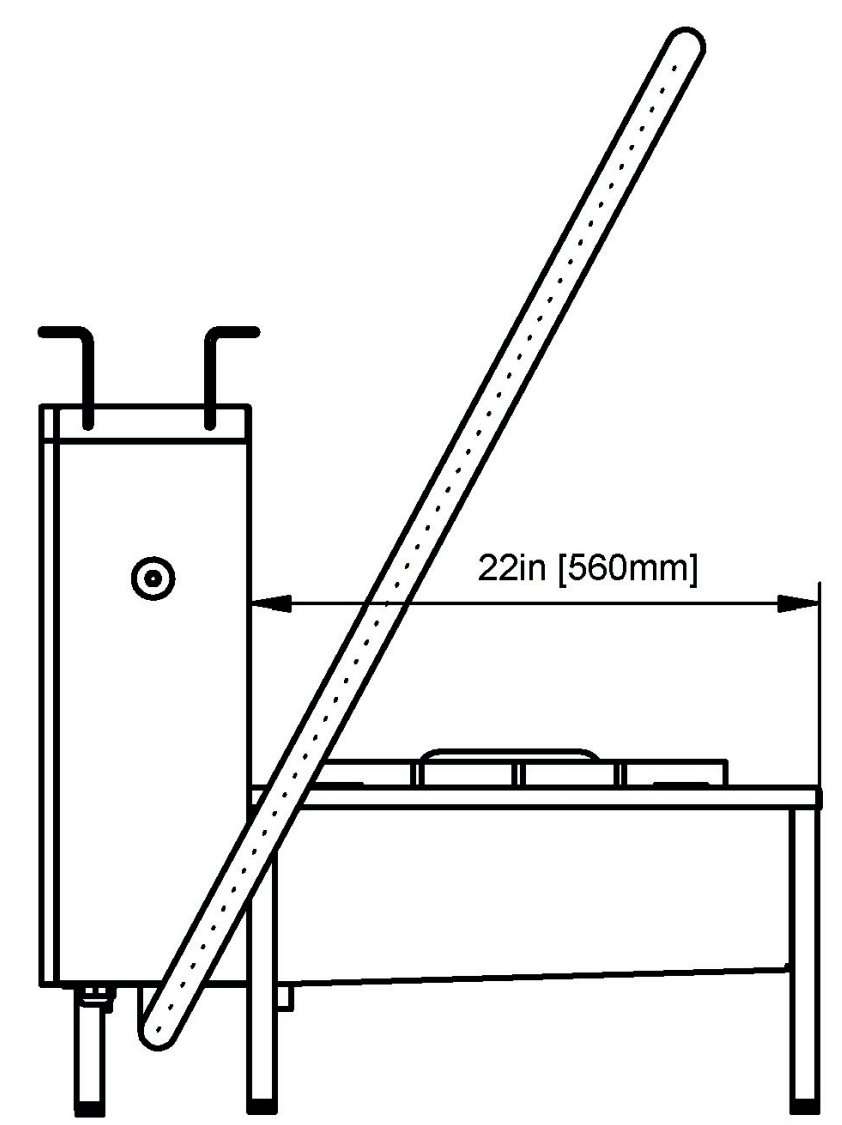
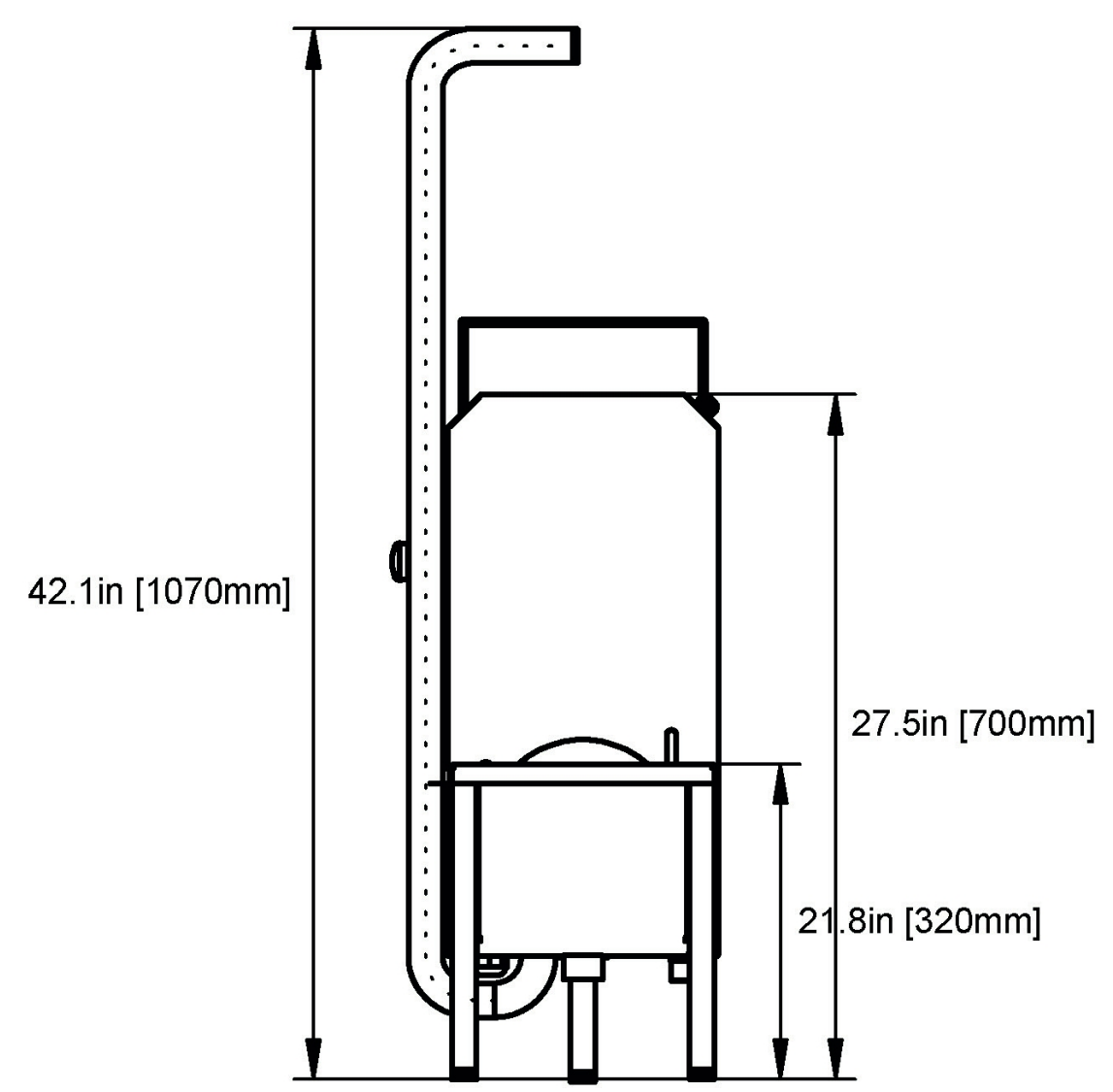
A
B
C
D
E
F



ISCA
Stainless Steel Fabrication

PROPRIETARY AND CONFIDENTIAL
The information contained in this drawing is the sole property of ISCA
Any reproduction, in part or as a whole, without the written permission of ISCA is prohibited.

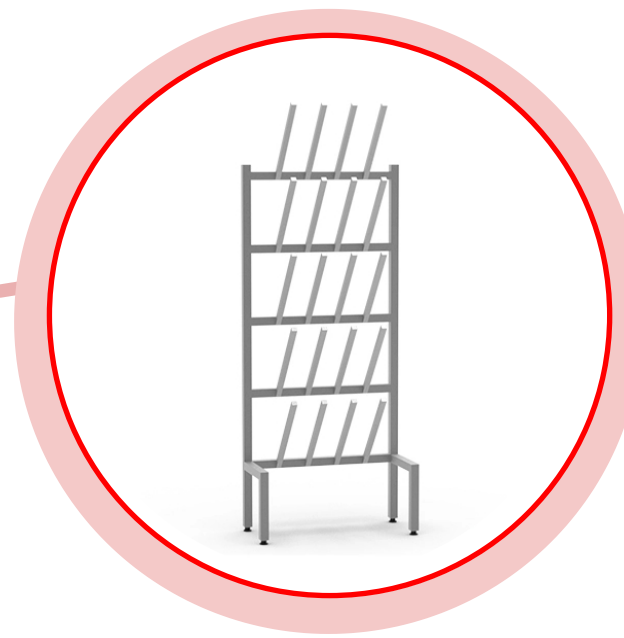
Unless otherwise specified:
Dimensions are in inches [mm]
Surface finish:
Tolerances: imperial [metric(±15)]
Linear: x.xx 0.2 (.xxx 0.01)
Angular: xx' 010



product no:
**ISCA - Compact
Automatic Sole Washer**

1 2 3 4 5 6 7 8

Footwear storage

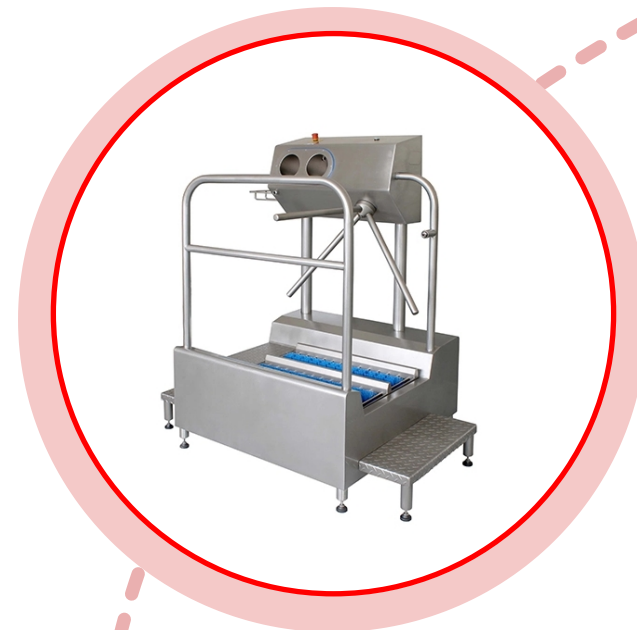


Workwear storage



**ISCA's
Hygiene
Equipment
Solutions**

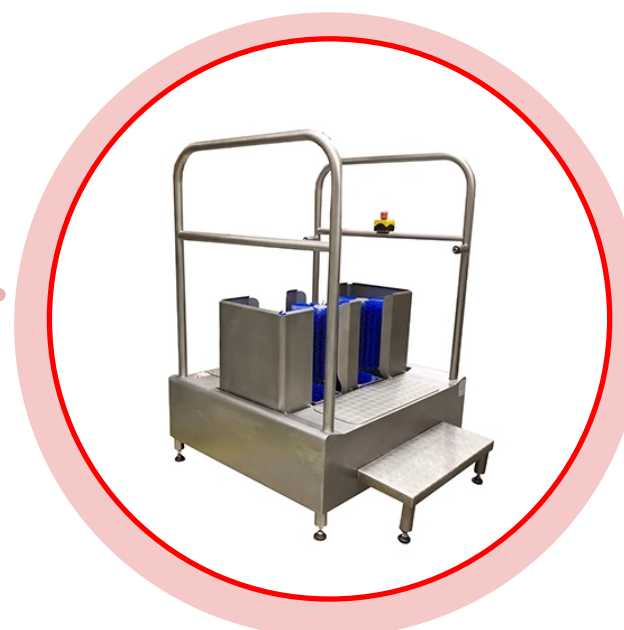
Hygiene entrance stations



Manual bootwashers



Hand washing



Automatic boot washers