

## Features

Stainless steel Industrial Footwear Storage Racks

ISCA's boot racks are used to store personnel's outdoor footwear and internal workwear boots.

They help to keep changing areas tidy and organized, as well as help to dry out workwear shoes quickly, which helps to inhibit the growth of bacteria and fungi, and preserve the footwear material from cracking.

ISCA's racks are manufactured in the US to the highest standards from 304 grade stainless steel.

ISCA's boot racks are a full wash down design, and are corrosion resistant.

ISCA's racks come fully assembled and have a smooth glass bead finish.

## Technical Specifications

The main frame is made of 40mm x 40mm box section and finished with black plastic end caps. The prongs (the boot slips on) are made of 25mm x 25mm box section and finished with black plastic end caps. The prongs are 45 degrees past the vertical and 320mm long. Each row of prongs is 400mm apart.

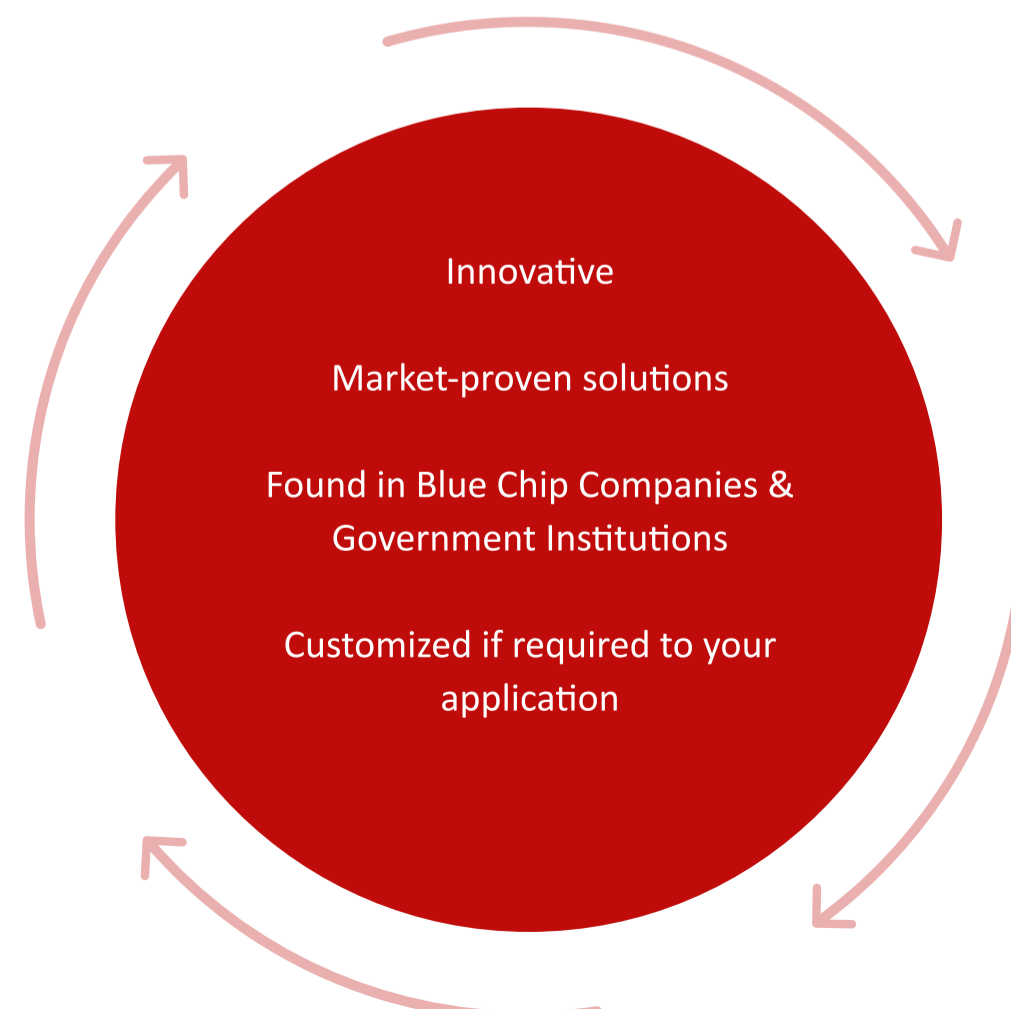
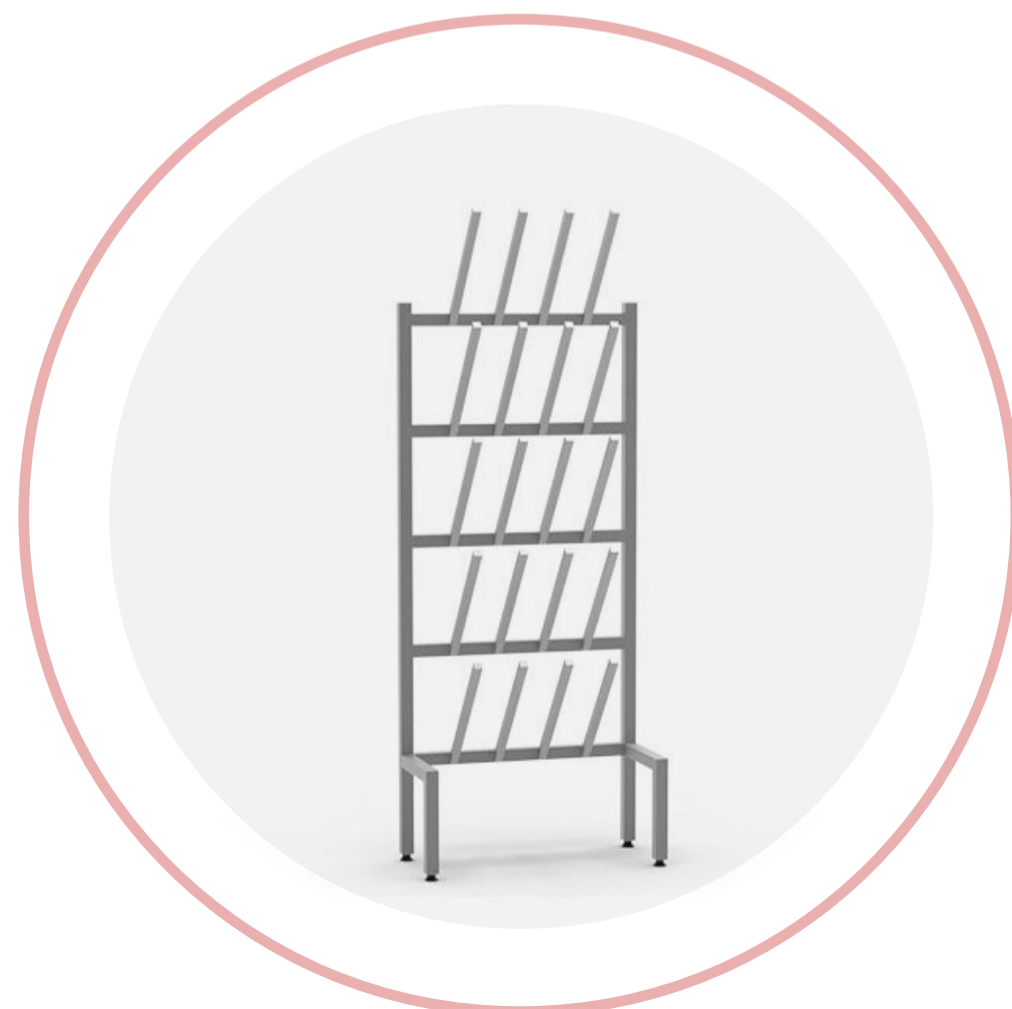
The boot racks are available in wall mounted, floor mounted or mobile versions:

- Wall mounted options have fixing brackets built into the frame
  - Floor standing versions have an adjustable foot for floor levelling
  - Mobile versions have 75mm multi-directional swivel castors x2 and braking castors x2
- The racks are available in the following capacities: x12 pairs, x24 pairs, x36 pairs + x48 pairs.

## Customized options available

Different capacities, lockable units and double-sided racks too – speak to us today to discuss options.

These racks have been further utilized by customers to store other types of items, not just footwear.



ISCA  
Stainless Steel Fabrication



**PROPRIETARY AND CONFIDENTIAL**

The information contained in this drawing is the sole property of ISCA  
Any reproduction, in part or as a whole, without the written permission of ISCA is prohibited.

Unless otherwise specified:  
Dimensions are in inches [mm]  
Surface finish:  
Tolerances: imperial [metric(±15)]  
Linear: x.xx 0.2 (.xxx 0.01)  
Angular: xx' 010

61.8in [1570mm]

45°

15.75in [400mm]

15.7in [400mm]

5.9in [150mm]

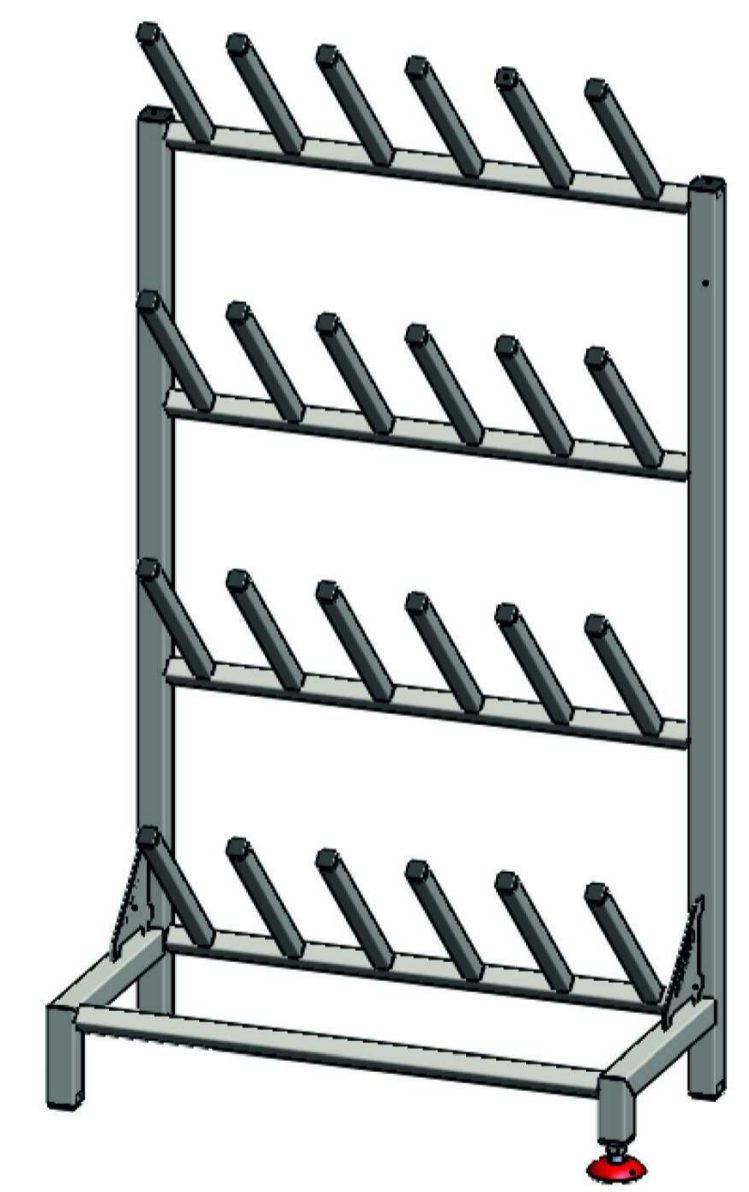
53.5in [1360mm]

34.2in [870mm]

4.3in [110mm]

1in [25mm]

12.6in [320mm]



product no:

**ISCA- Floor Standing  
Footwear Rack - 12 Pairs**

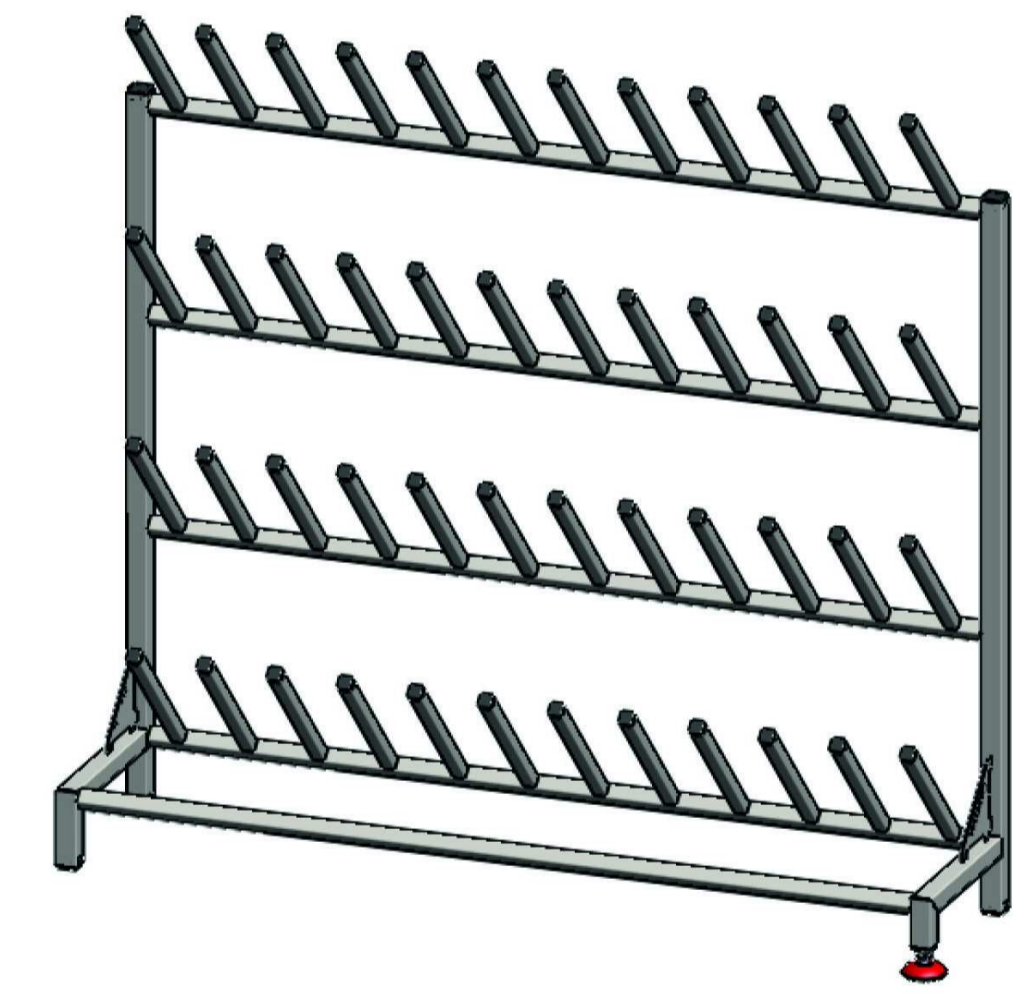
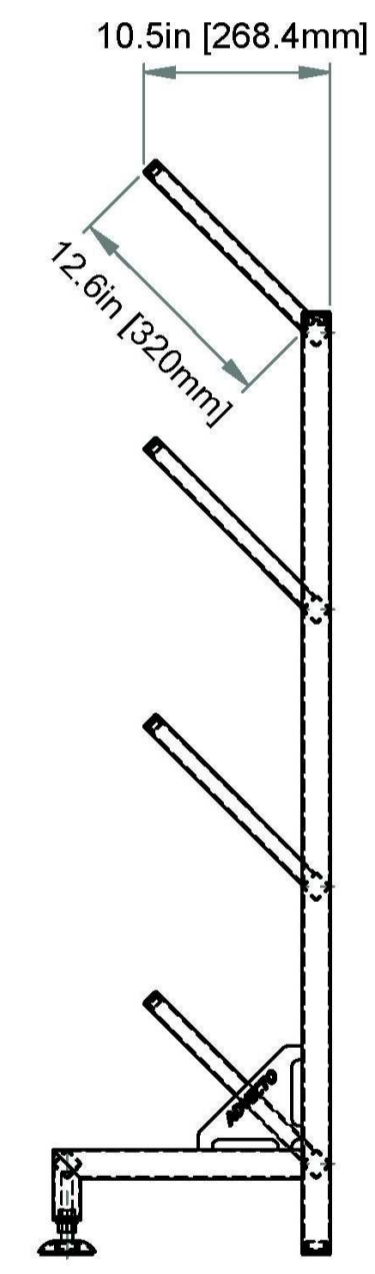
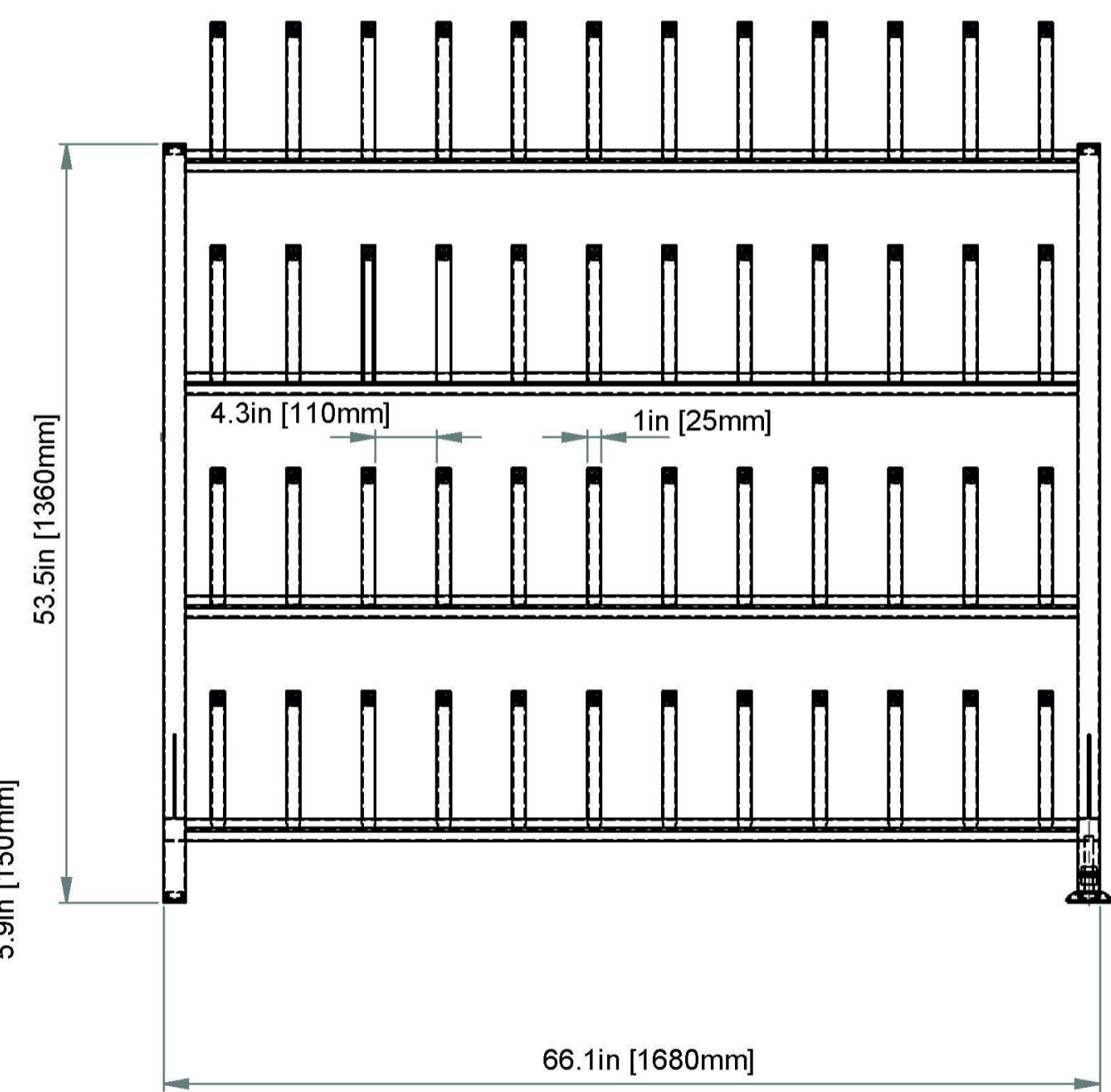
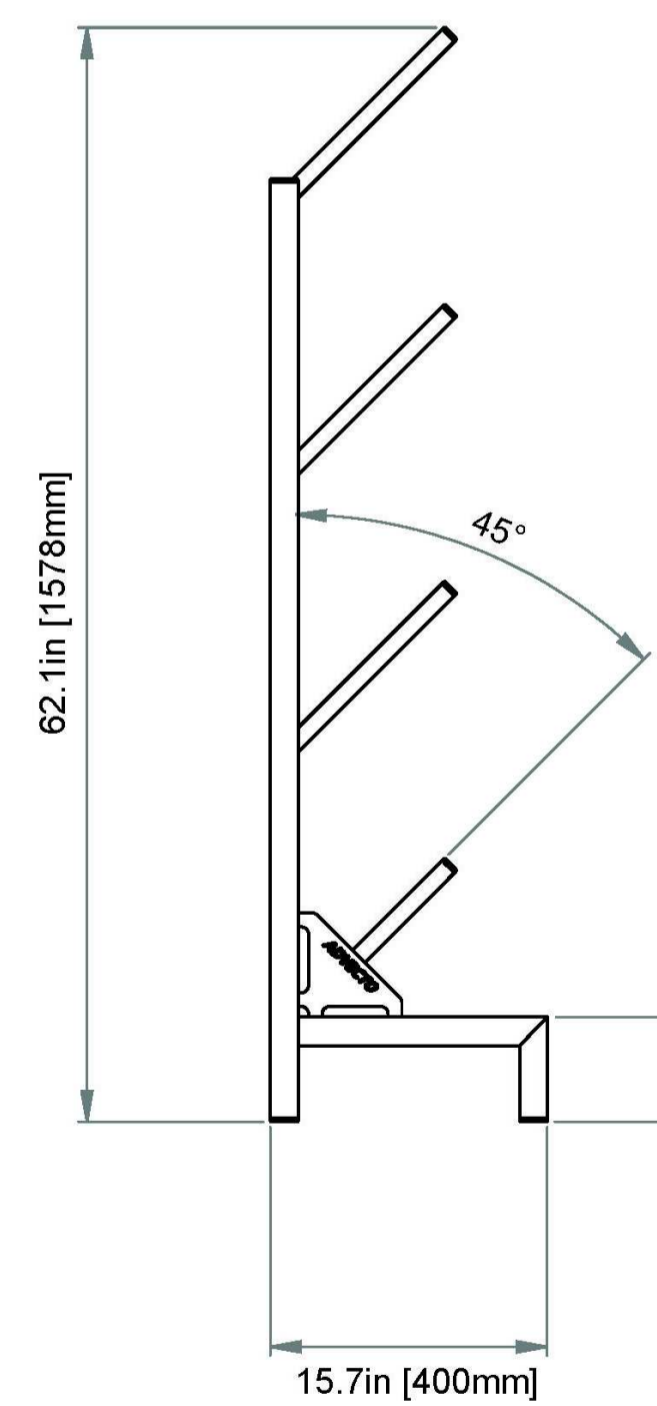
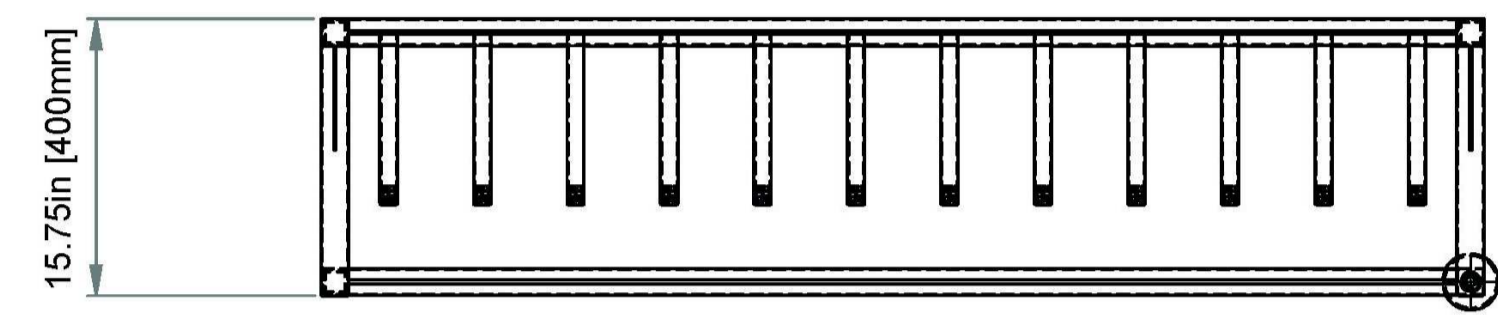


ISCA  
Stainless Steel Fabrication



**PROPRIETARY AND CONFIDENTIAL**  
The information contained in this drawing is the sole property of ISCA  
Any reproduction, in part or as a whole, without the written permission of ISCA is prohibited.

Unless otherwise specified:  
Dimensions are in inches [mm]  
Surface finish:  
Tolerances: imperial [metric(±15)]  
Linear: x.xx 0.2 (.xxx 0.01)  
Angular: xx' 010



product no:  
**ISCA- Floor Standing  
Footwear Rack - 24 Pairs**

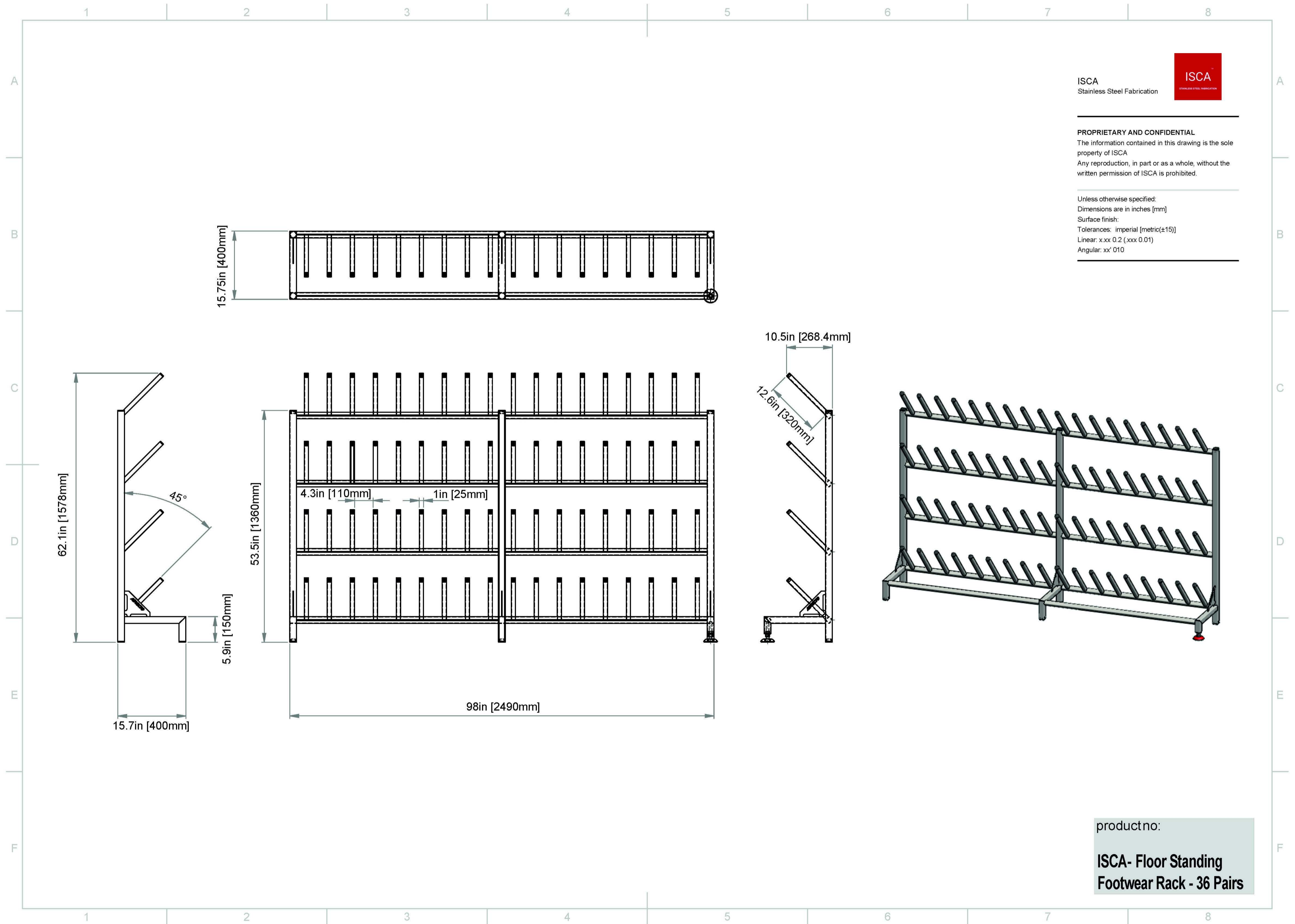
ISCA  
Stainless Steel Fabrication



**PROPRIETARY AND CONFIDENTIAL**

The information contained in this drawing is the sole property of ISCA  
Any reproduction, in part or as a whole, without the written permission of ISCA is prohibited.

Unless otherwise specified:  
Dimensions are in inches [mm]  
Surface finish:  
Tolerances: imperial [metric(±15)]  
Linear: x.xx 0.2 (.xxx 0.01)  
Angular: xx' 010



product no:

**ISCA- Floor Standing  
Footwear Rack - 36 Pairs**



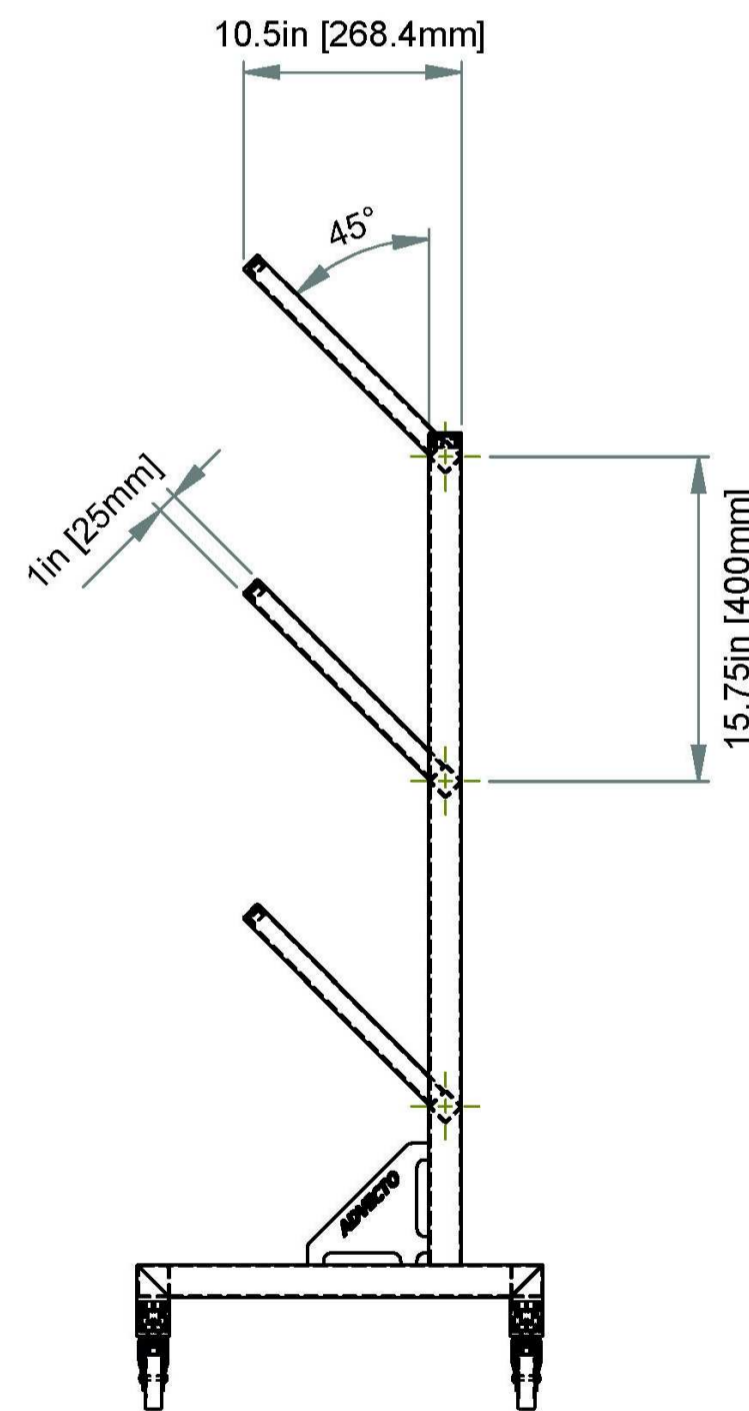
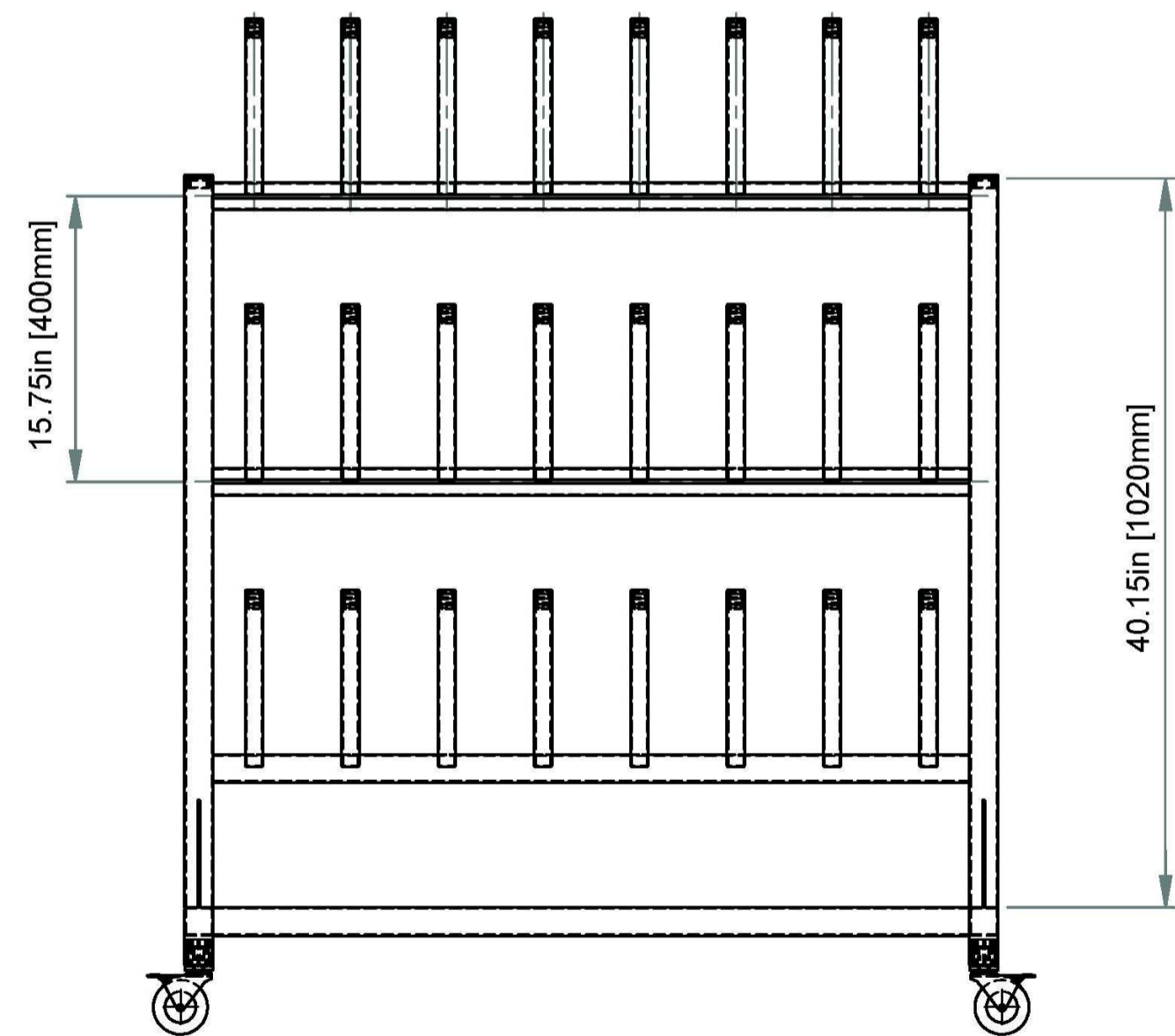
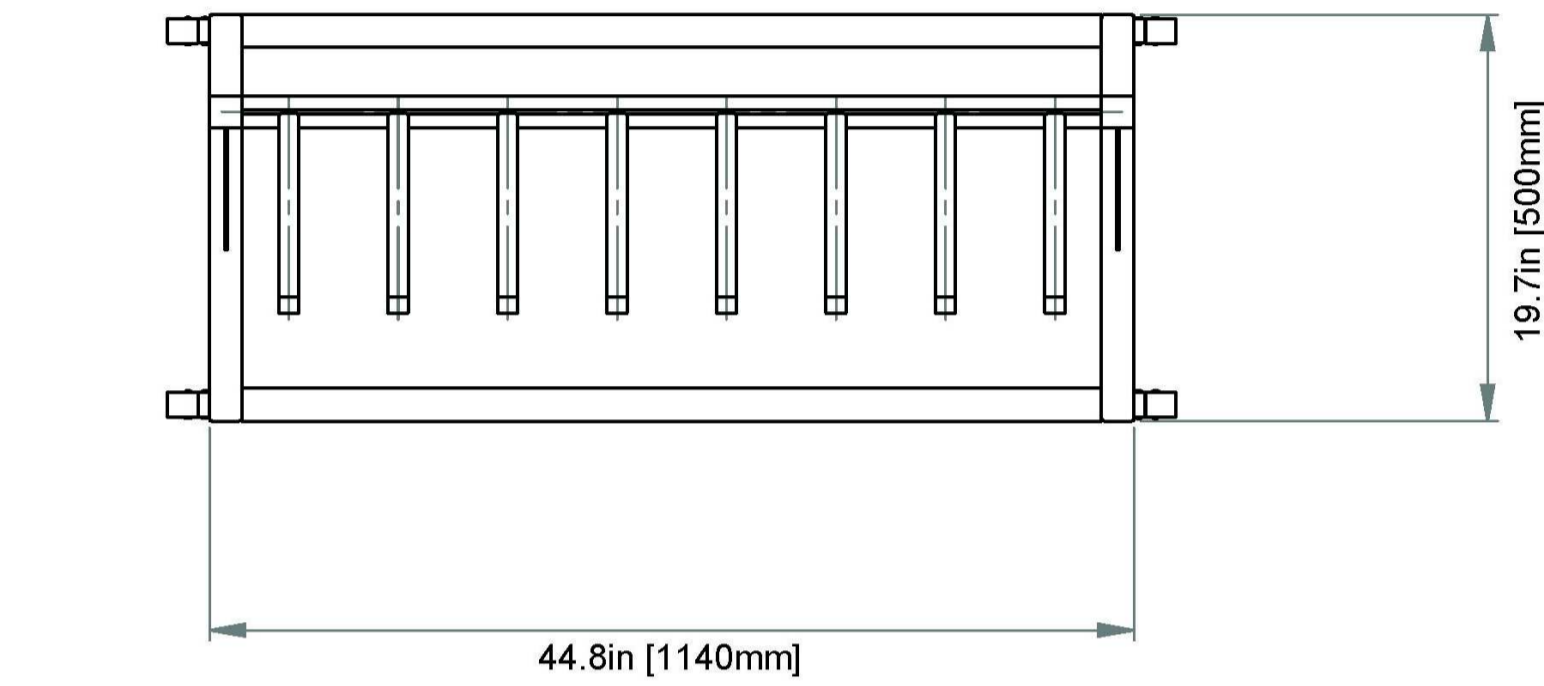
ISCA  
Stainless Steel Fabrication



**PROPRIETARY AND CONFIDENTIAL**

The information contained in this drawing is the sole property of ISCA  
Any reproduction, in part or as a whole, without the written permission of ISCA is prohibited.

Unless otherwise specified:  
Dimensions are in inches [mm]  
Surface finish:  
Tolerances: imperial [metric (±15)]  
Linear: x.xx 0.2 (.xxx 0.01)  
Angular: xx' 010



product no:

**ISCA- Mobile Unit  
Footwear Rack - 12 Pairs**

1 2 3 4 5 6 7 8

A

B

C

D

E

F

A

B

C

D

E

F

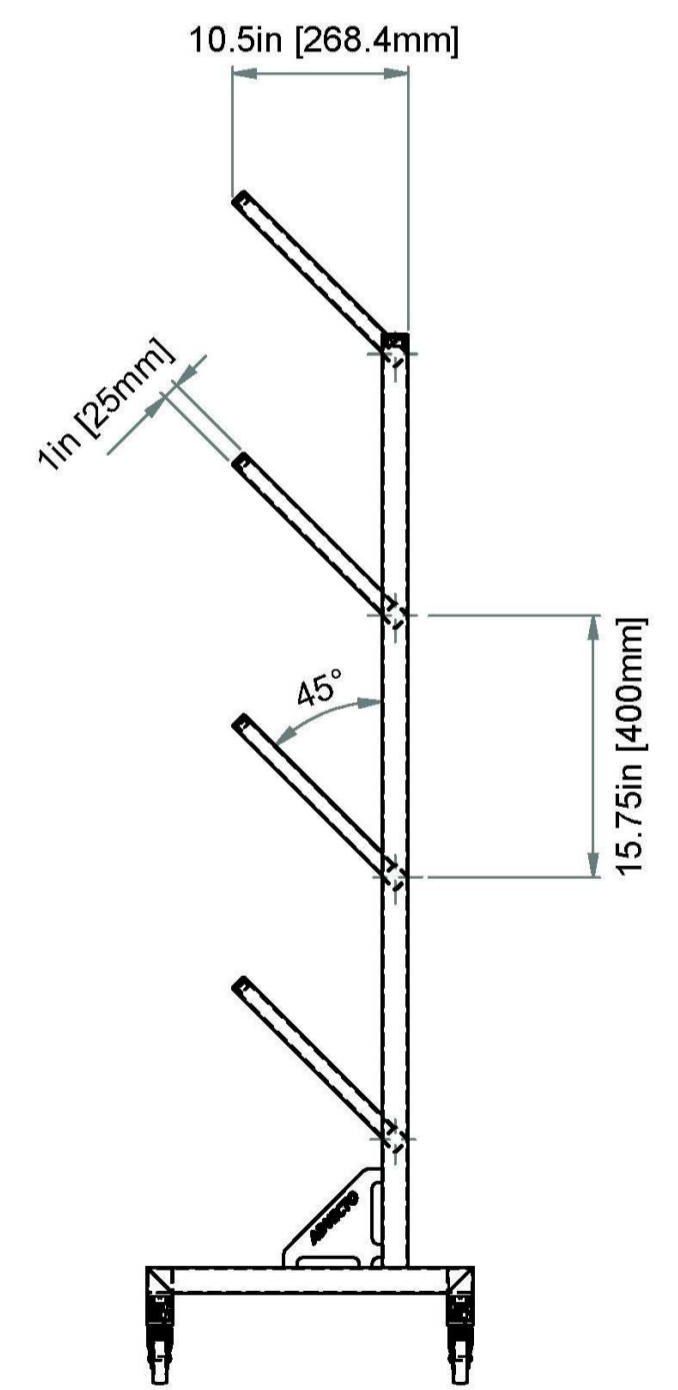
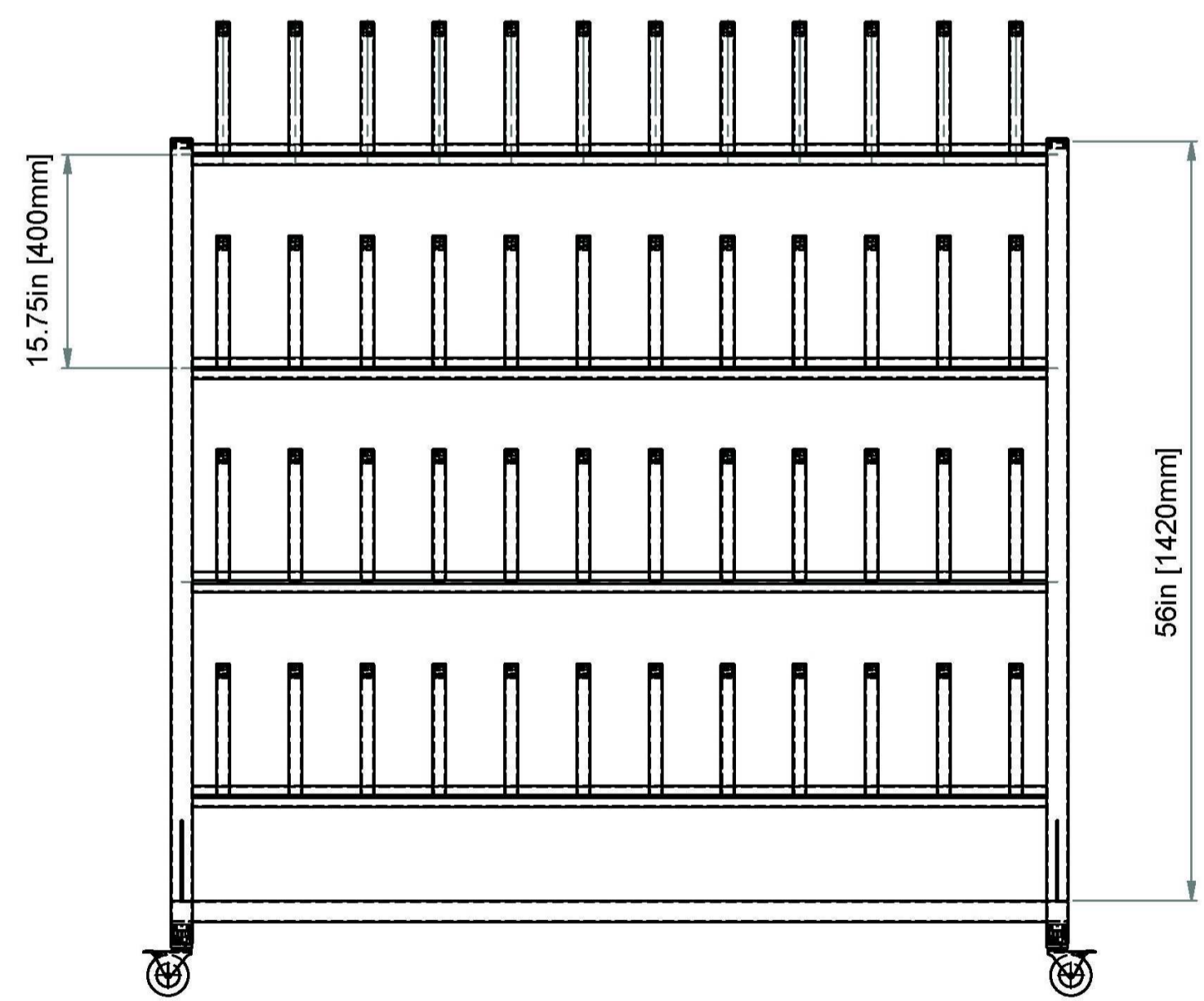
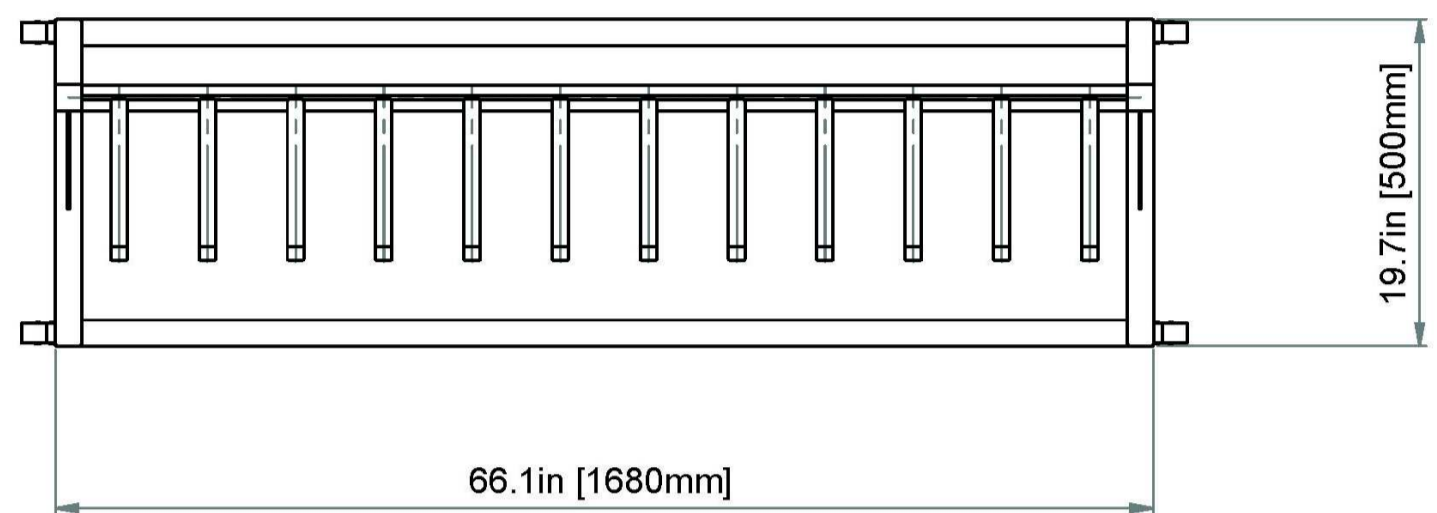
ISCA  
Stainless Steel Fabrication



**PROPRIETARY AND CONFIDENTIAL**

The information contained in this drawing is the sole property of ISCA  
Any reproduction, in part or as a whole, without the written permission of ISCA is prohibited.

Unless otherwise specified:  
Dimensions are in inches [mm]  
Surface finish:  
Tolerances: imperial [metric (+15)]  
Linear: x.xx 0.2 (.xxx 0.01)  
Angular: xx' 010



product no:  
**ISCA- Mobile Unit  
Footwear Rack - 24 Pairs**

1 2 3 4 5 6 7 8



1 2 3 4 5 6 7 8

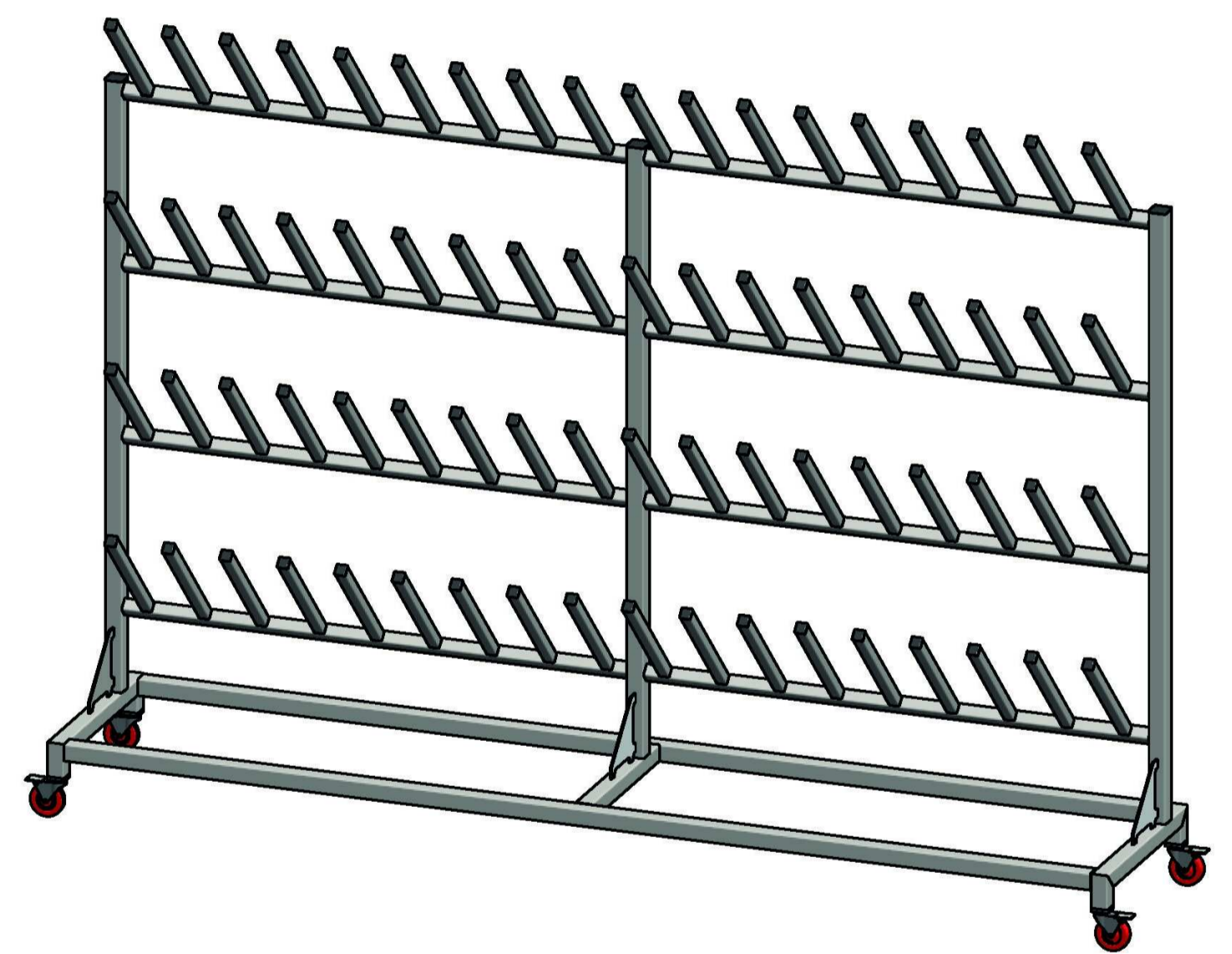
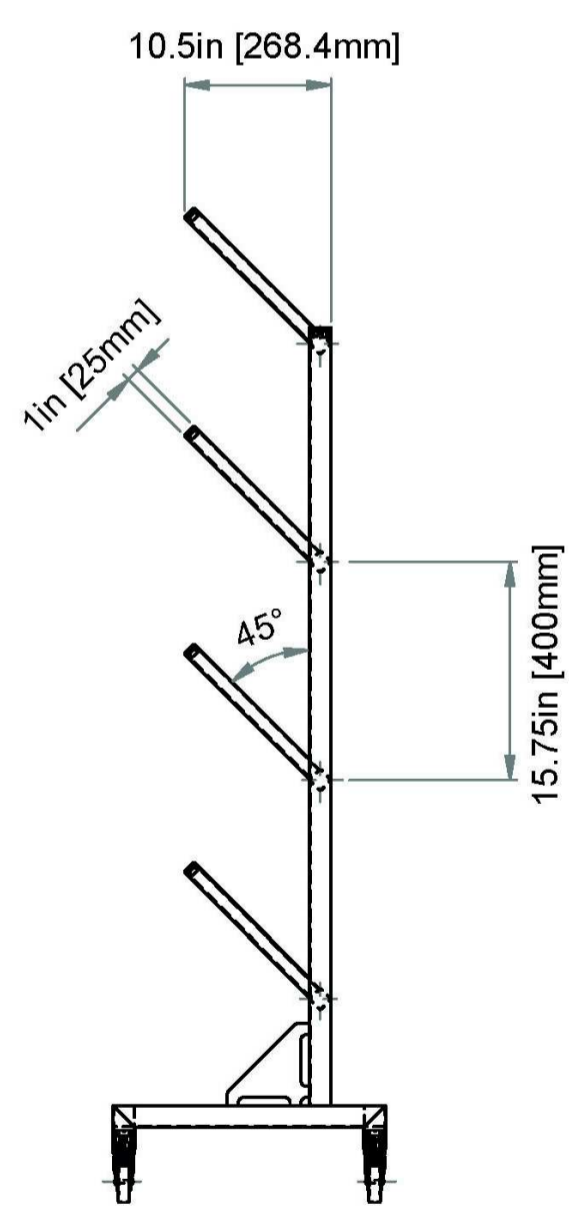
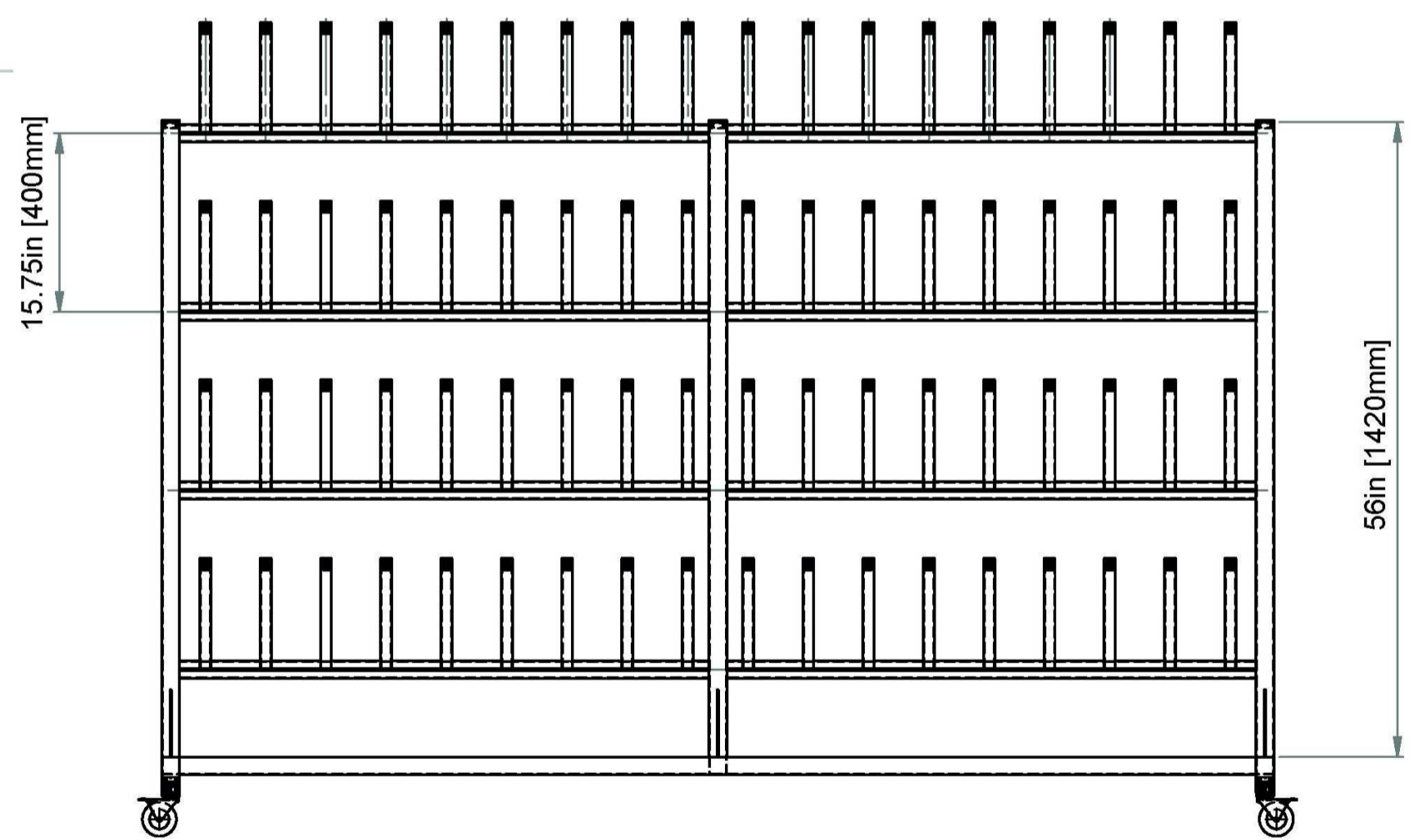
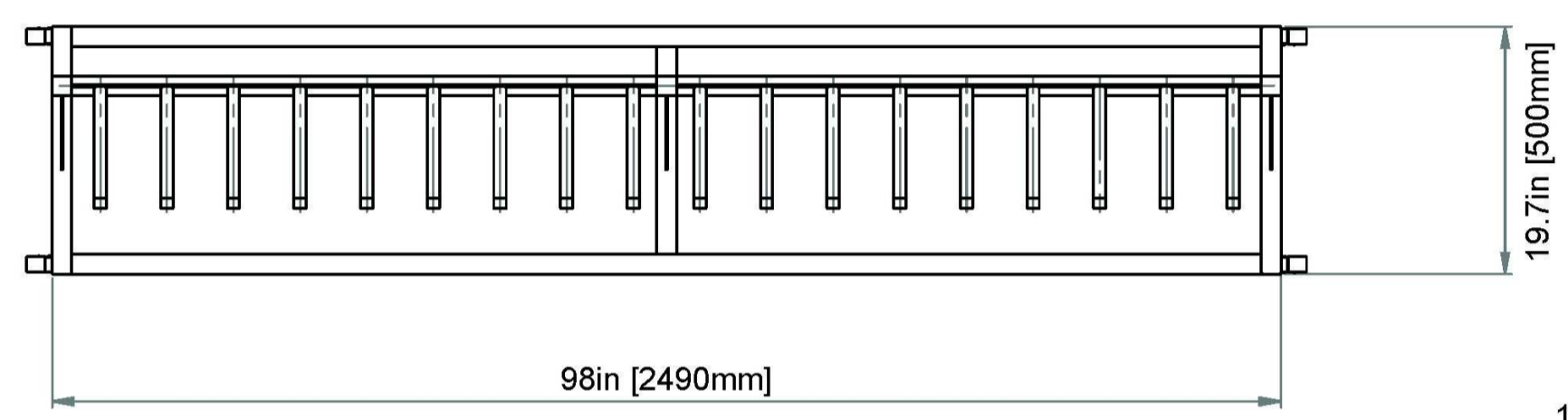
A  
B  
C  
D  
E  
F



ISCA  
Stainless Steel Fabrication

**PROPRIETARY AND CONFIDENTIAL**  
The information contained in this drawing is the sole property of ISCA  
Any reproduction, in part or as a whole, without the written permission of ISCA is prohibited.

Unless otherwise specified:  
Dimensions are in inches [mm]  
Surface finish:  
Tolerances: imperial [metric(±15)]  
Linear: x.xx 0.2 (.xxx 0.01)  
Angular: xx' 010



product no:  
**ISCA- Mobile Unit  
Footwear Rack - 36 Pairs**

1 2 3 4 5 6 7 8

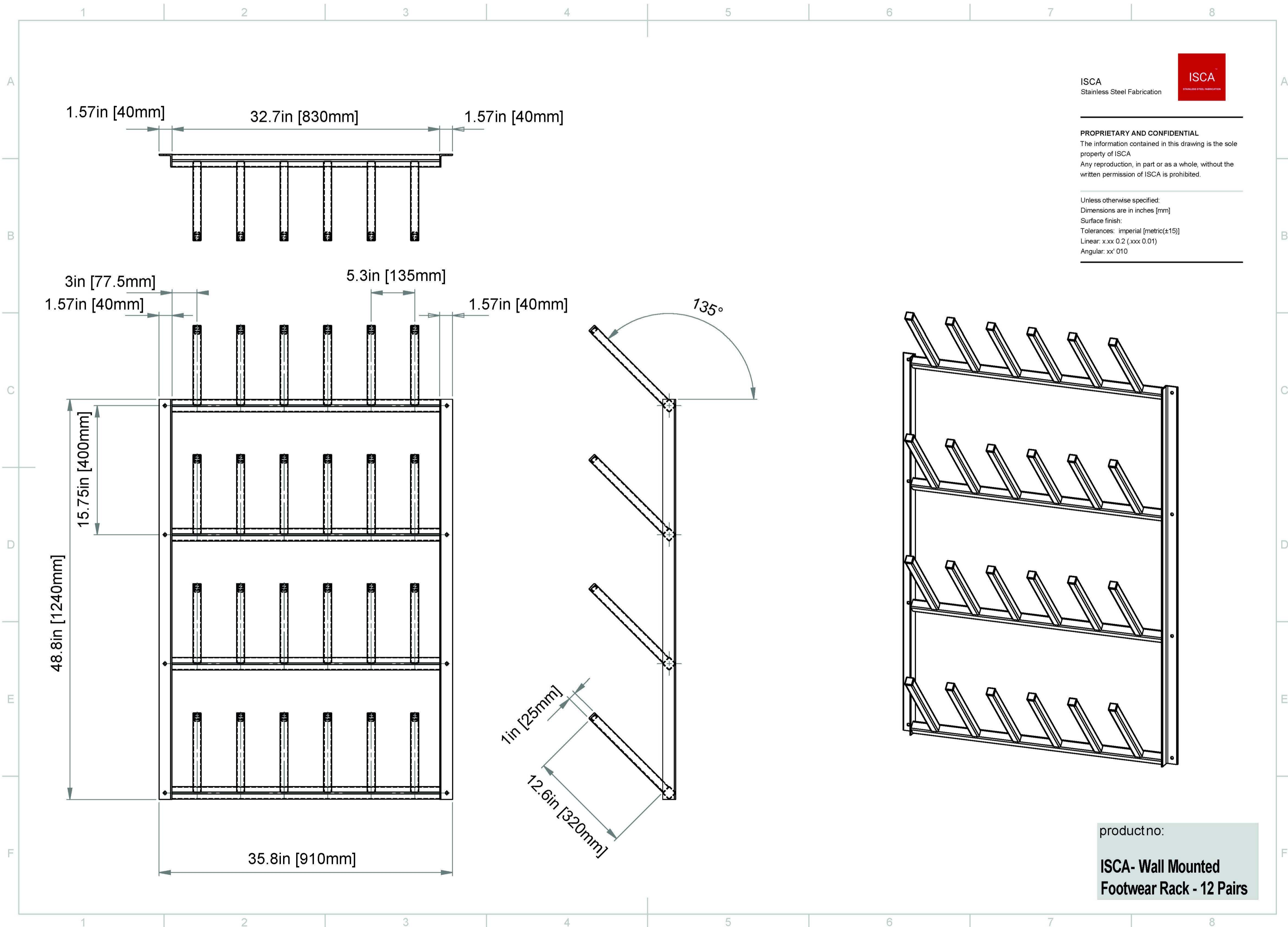
ISCA  
Stainless Steel Fabrication



**PROPRIETARY AND CONFIDENTIAL**

The information contained in this drawing is the sole property of ISCA  
Any reproduction, in part or as a whole, without the written permission of ISCA is prohibited.

Unless otherwise specified:  
Dimensions are in inches [mm]  
Surface finish:  
Tolerances: imperial [metric(±15)]  
Linear: x.xx 0.2 (.xxx 0.01)  
Angular: xx' 010





1 2 3 4 5 6 7 8

A

A

ISCA  
Stainless Steel Fabrication

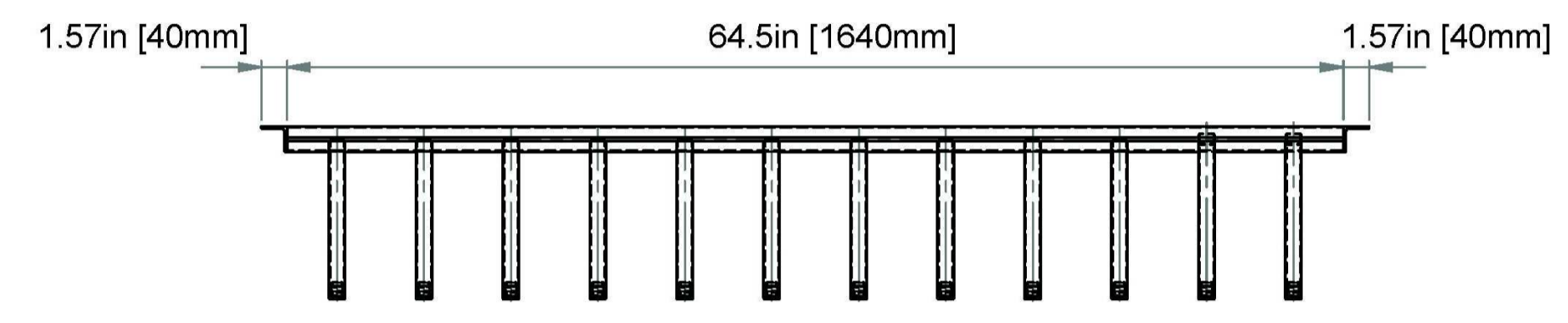


**PROPRIETARY AND CONFIDENTIAL**  
The information contained in this drawing is the sole property of ISCA  
Any reproduction, in part or as a whole, without the written permission of ISCA is prohibited.

Unless otherwise specified:  
Dimensions are in inches [mm]  
Surface finish:  
Tolerances: imperial [metric (+/-)]  
Linear: x.xx 0.2 (.xxx 0.01)  
Angular: xx' 010

B

B



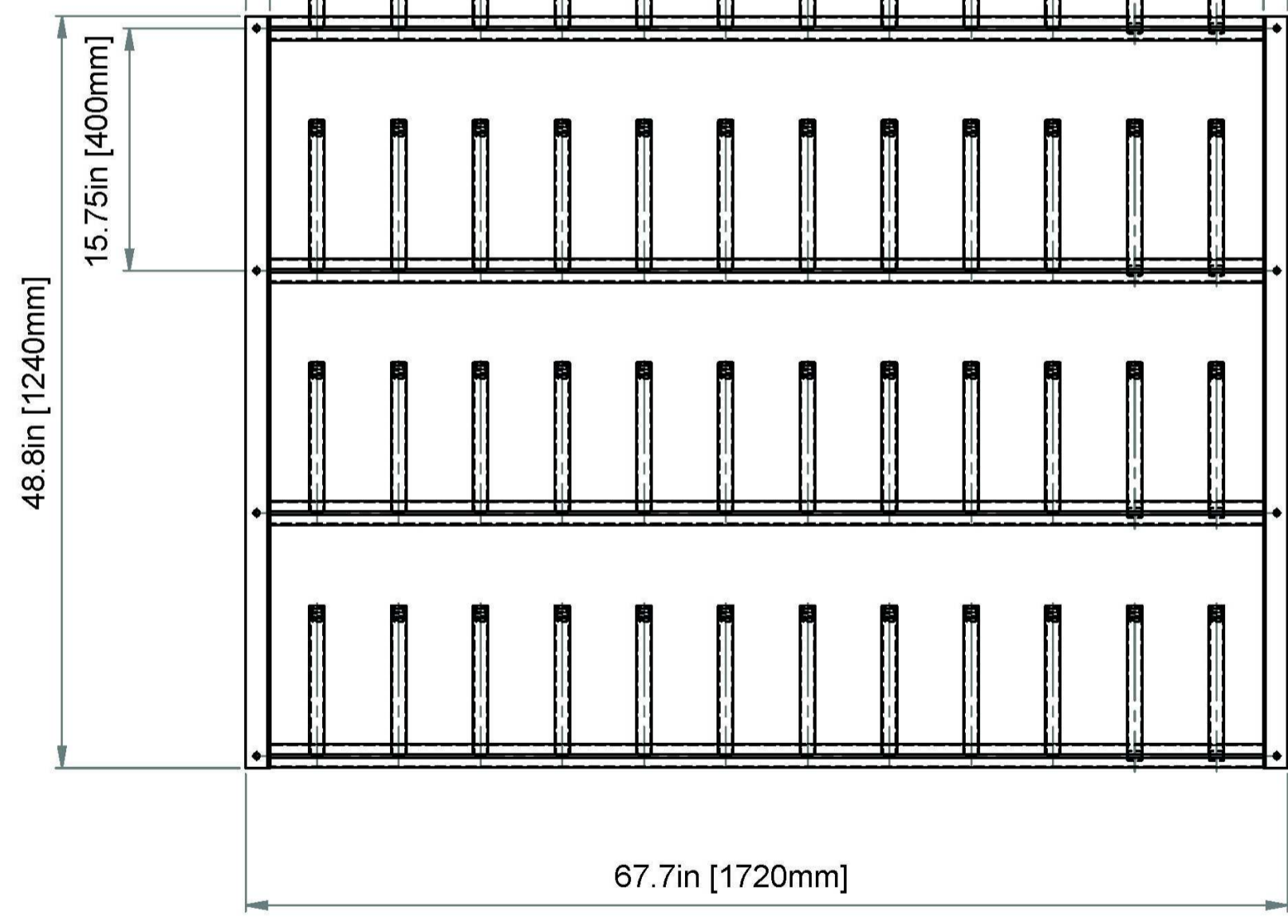
C

C



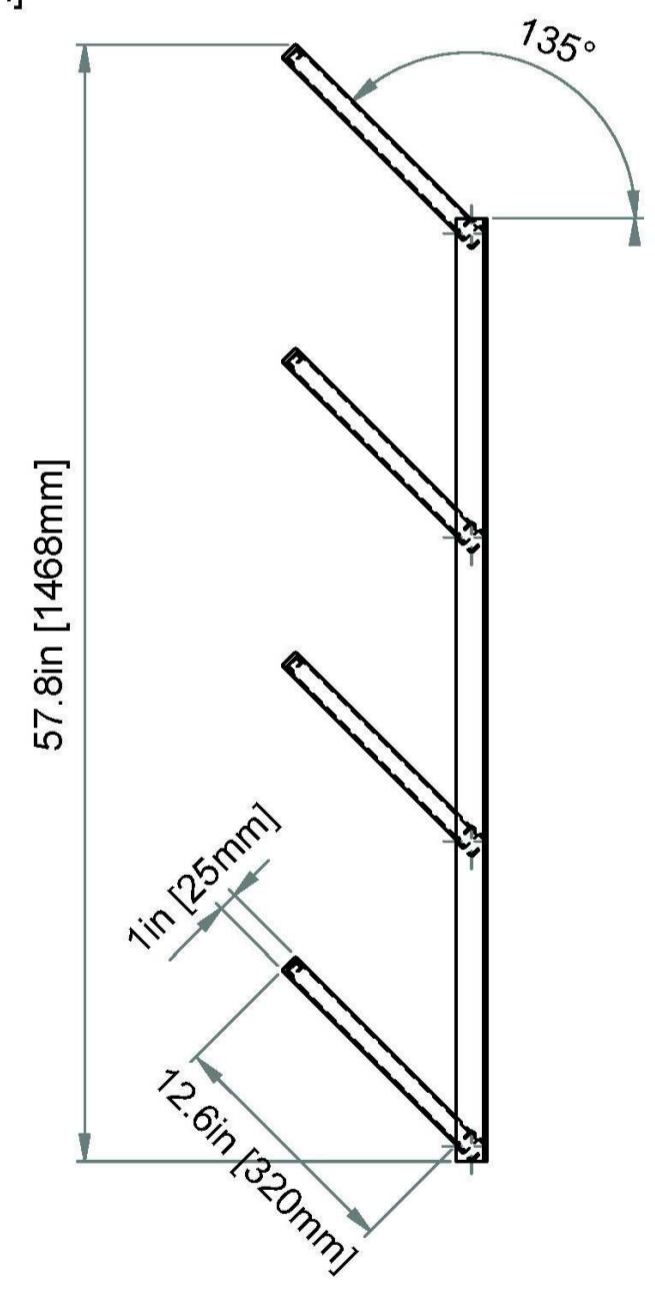
D

D



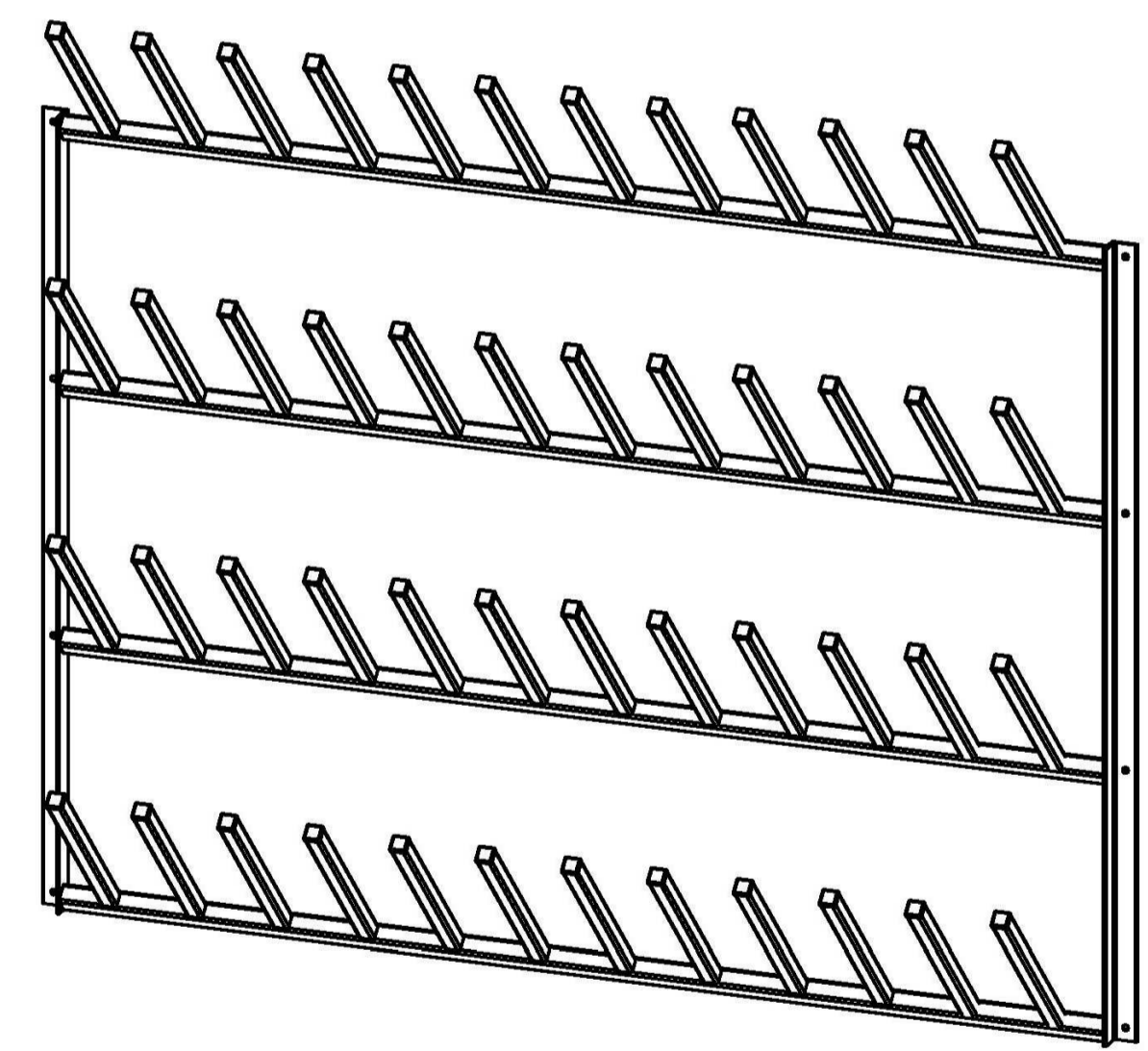
E

E



F

F



product no:  
**ISCA- Wall Mounted  
Footwear Rack - 24 Pairs**

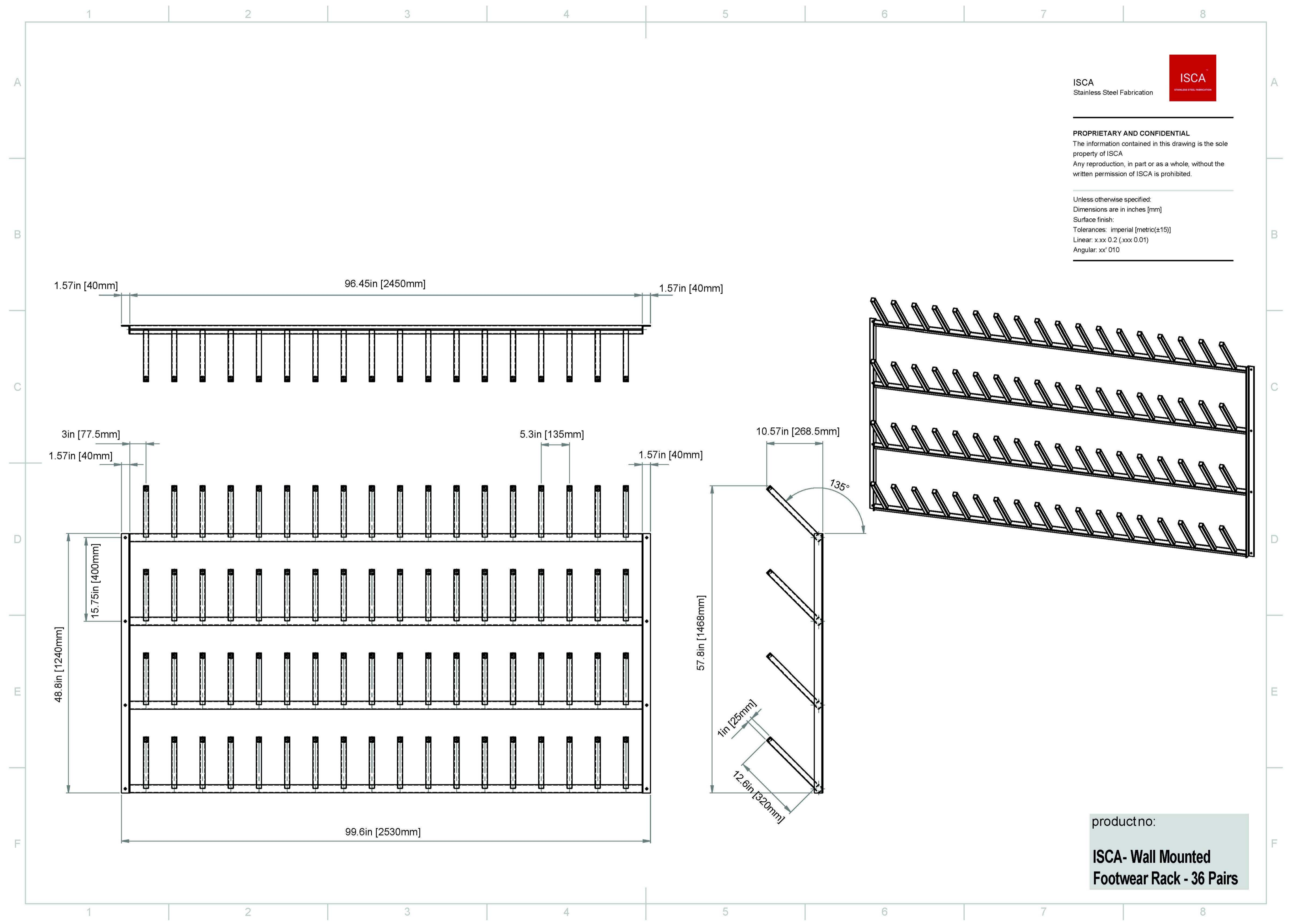
1 2 3 4 5 6 7 8

ISCA  
Stainless Steel Fabrication



**PROPRIETARY AND CONFIDENTIAL**  
The information contained in this drawing is the sole property of ISCA  
Any reproduction, in part or as a whole, without the written permission of ISCA is prohibited.

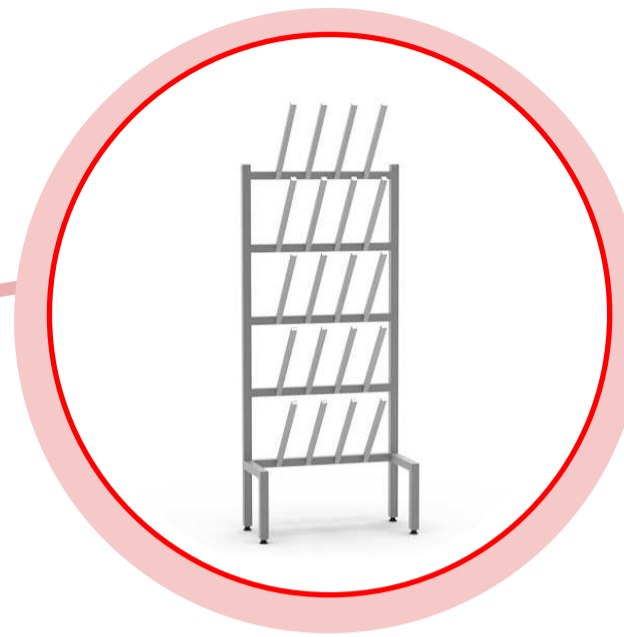
Unless otherwise specified:  
Dimensions are in inches [mm]  
Surface finish:  
Tolerances: imperial [metric (±15)]  
Linear: x.xx 0.2 (.xxx 0.01)  
Angular: xx' 010



product no:  
**ISCA- Wall Mounted  
Footwear Rack - 36 Pairs**



Footwear storage



Workwear storage



**ISCA's  
Hygiene  
Equipment  
Solutions**

Hygiene entrance stations



Manual bootwashers



Hand washing



Automatic boot washers