

Features

Hand wash stations - knee operated
Available in 1 - 6 station formats.

Our stainless steel industrial hand wash stations – knee operated are automatic, hands free, and designed for use in hygiene conscious environments.

The design allows for ease of cleaning, maintenance and ensures the surrounding area is free from contaminated splash water. The units are suitable for the most stringent of hygienic environments, and conform to the advised design by GFSI bodies.

Stainless steel knee operated industrial hand wash stations manufactured by ISCA all come ready assembled and require wall/floor mounting, and plumbing only. We recommend using a thermostatic mixing valve – with hot and cold water feed – to achieve the optimum temperature for hygienic hand cleaning.

Technical specifications

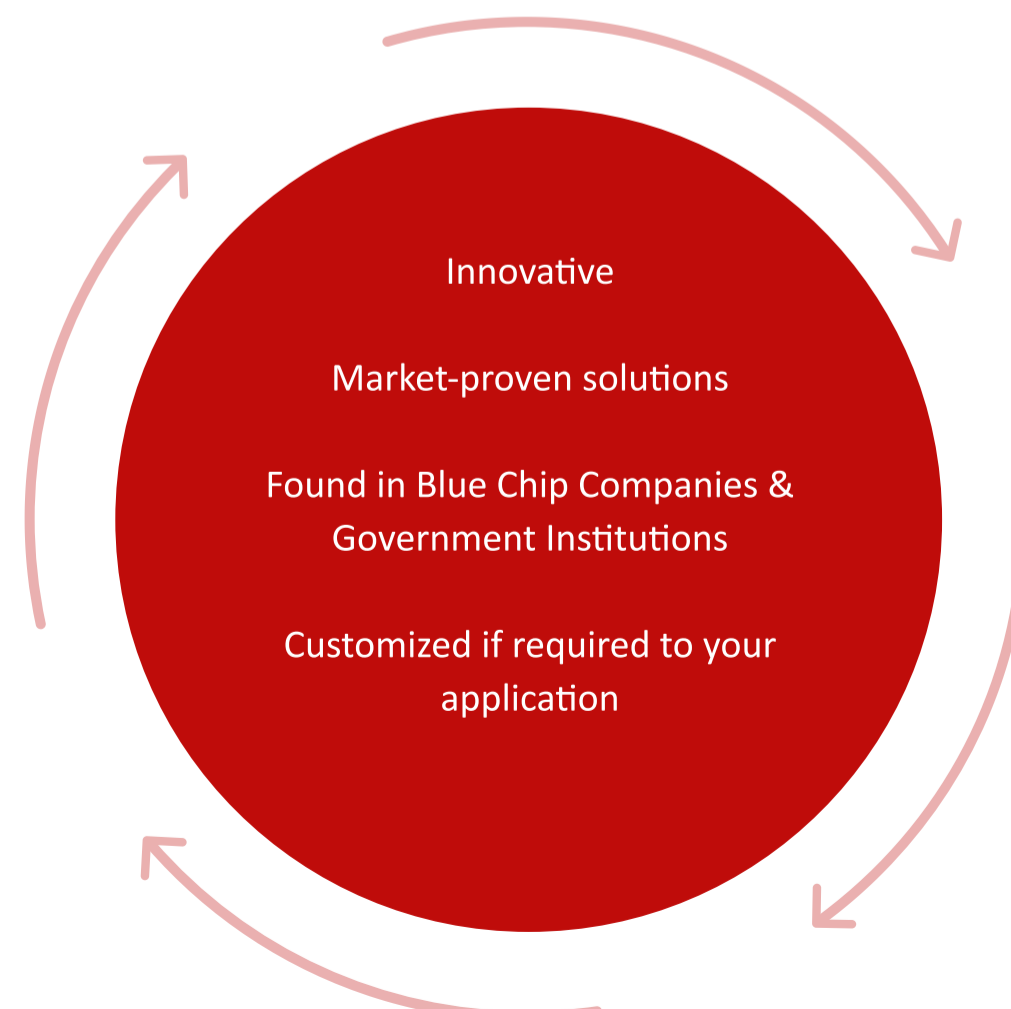
This unit is continuously welded and blast bead finished, and the units have built in wall fixing plates.

Our knee operated industrial hand wash sinks are manufactured in 1-6 stations as standard and other forms are available on request.

Each station/system comes complete with knee push valve and full assembly, tap, 1 ½” plug hole with a white plastic adapter to fit to a 1 ½” pipe.

We offer a pedestal for extra support. If you require 1 – 2 stations you require 1 pedestal. 3 – 6 stations require 2 pedestals. Pedestals are ideal for extra support when wall mounting isn't suitable due to wall thickness and strength.

The water flow on the unit is set at a std of 15 seconds, but this can be reduced to 7 seconds or 3 seconds with an alternative seal kit.



1 2 3 4 5 6 7 8

A

A

ISCA
Stainless Steel Fabrication



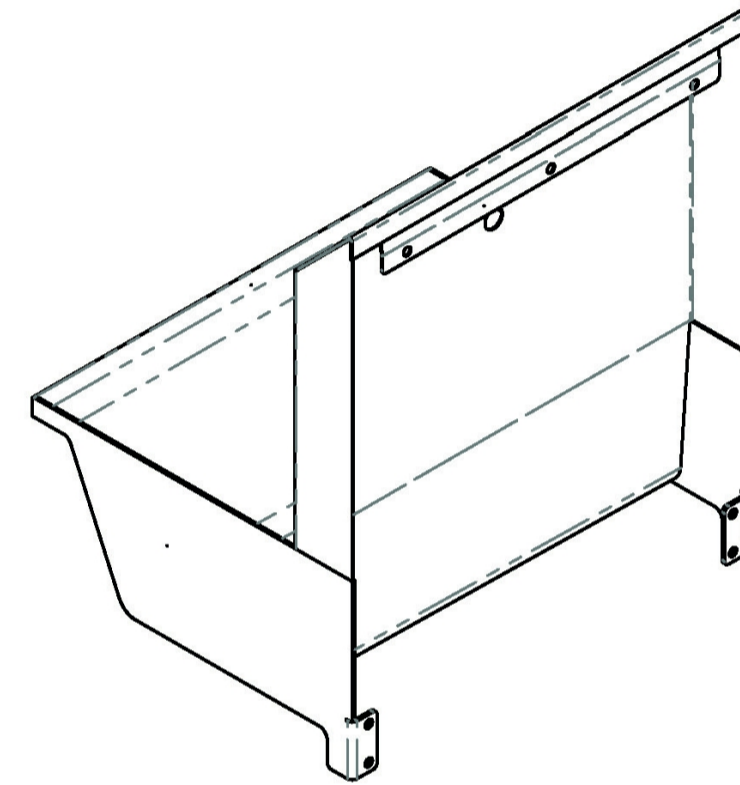
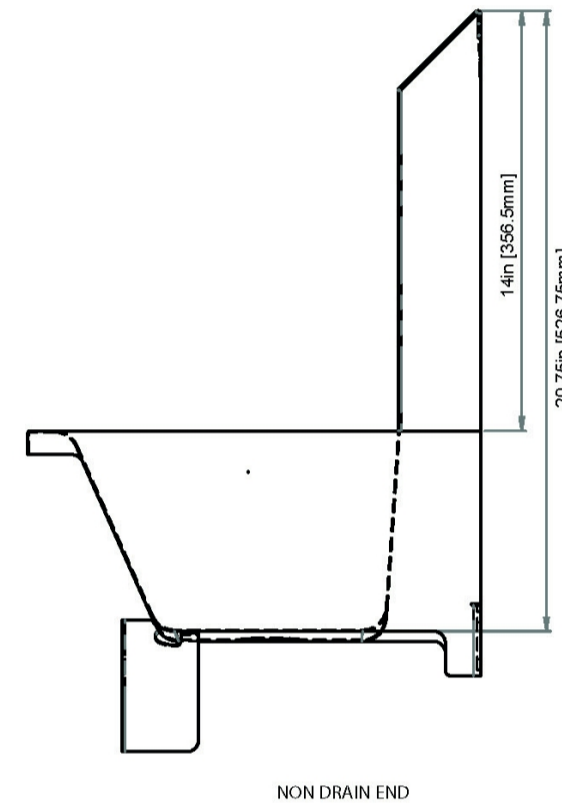
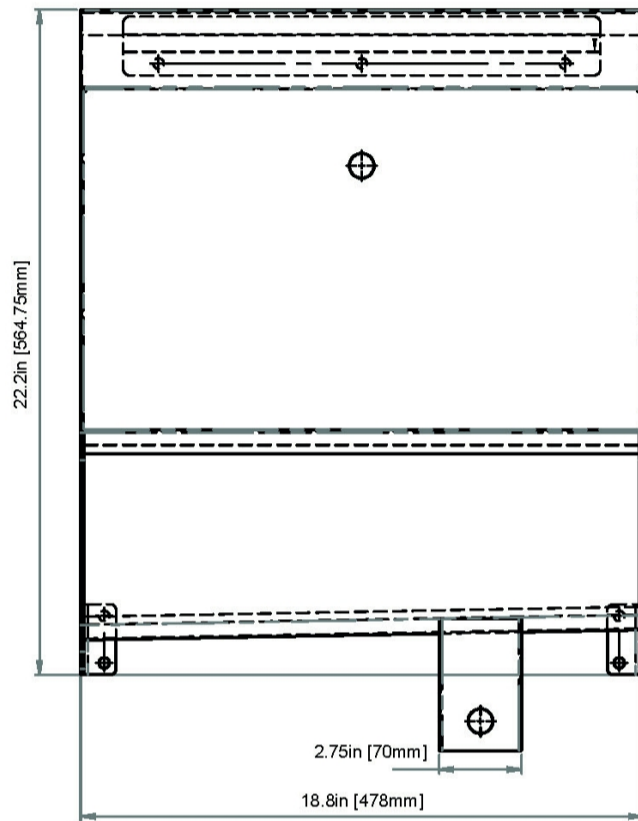
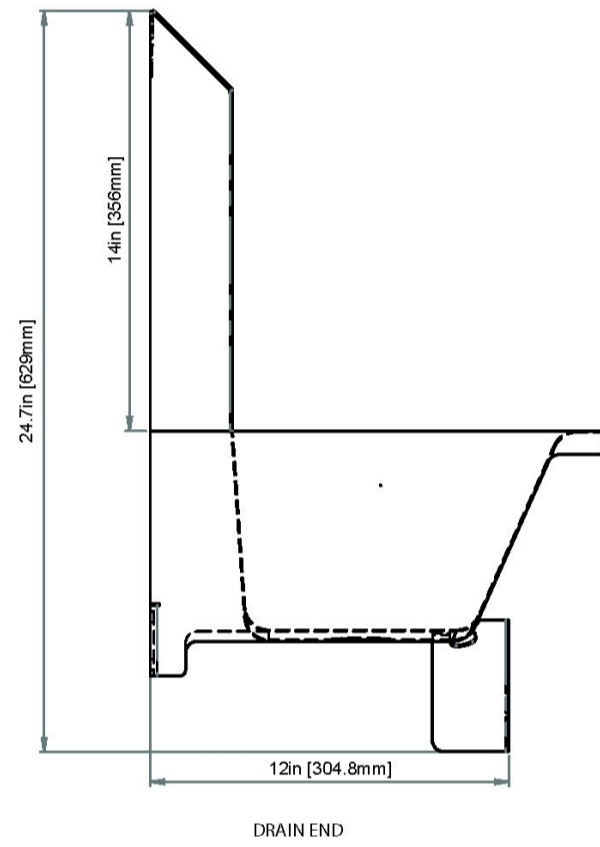
PROPRIETARY AND CONFIDENTIAL

The information contained in this drawing is the sole property of ISCA
Any reproduction, in part or as a whole, without the written permission of ISCA is prohibited.

Unless otherwise specified:
Dimensions are in inches [mm]
Surface finish:
Tolerances: imperial [metric (±15)]
Linear: x.xx 0.2 (.xxx 0.01)
Angular: xx' 010

B

B

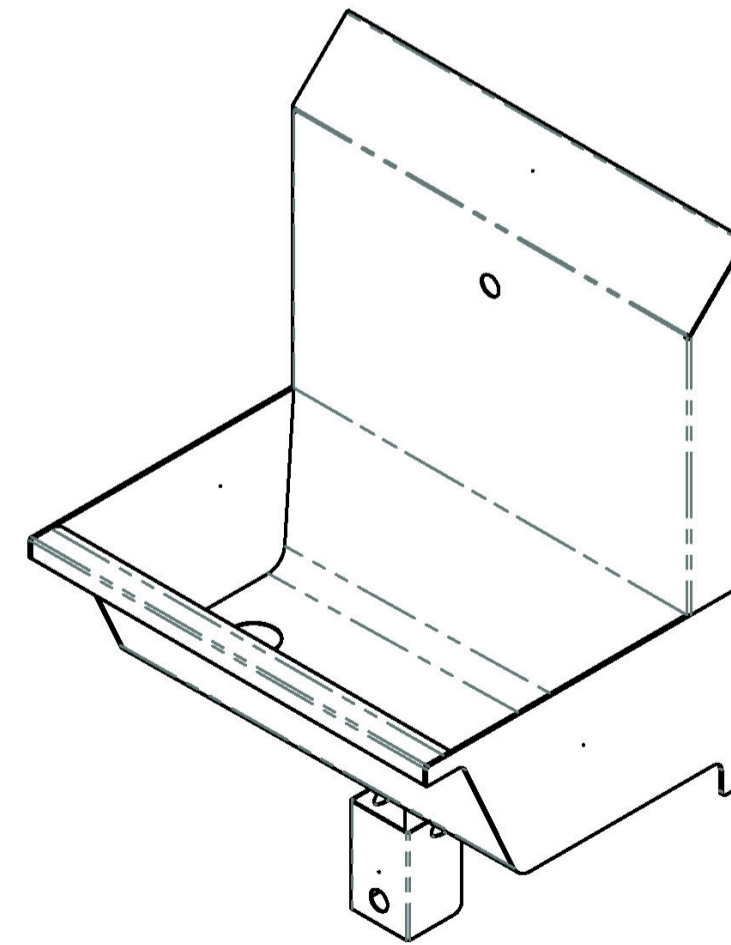
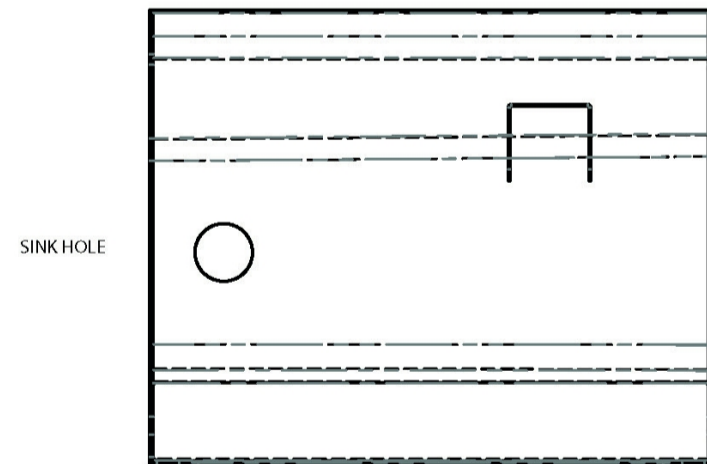


C

C

D

D



E

E

F

F

product no:

**ISCA- Hand Wash Station
1 Bay Station**

1 2 3 4 5 6 7 8

1 2 3 4 5 6 7 8

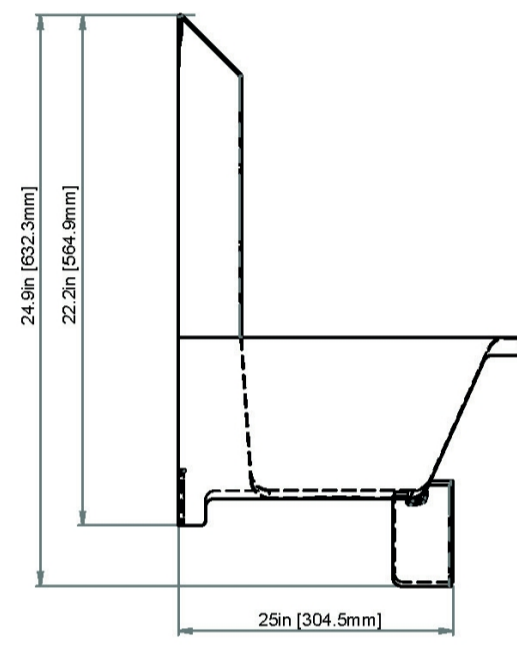
A A

ISCA
Stainless Steel Fabrication

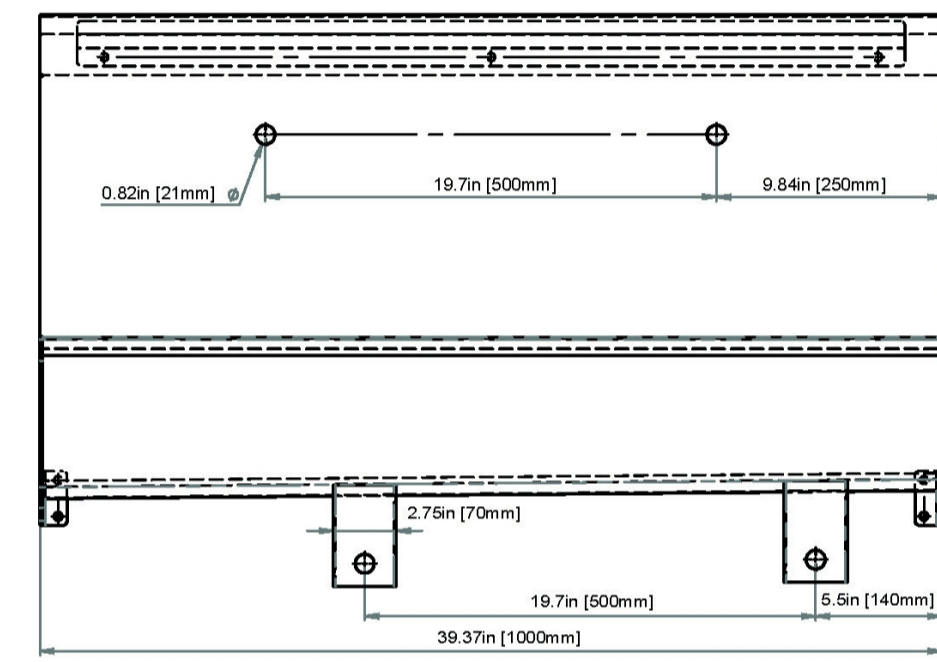


PROPRIETARY AND CONFIDENTIAL
The information contained in this drawing is the sole property of ISCA
Any reproduction, in part or as a whole, without the written permission of ISCA is prohibited.

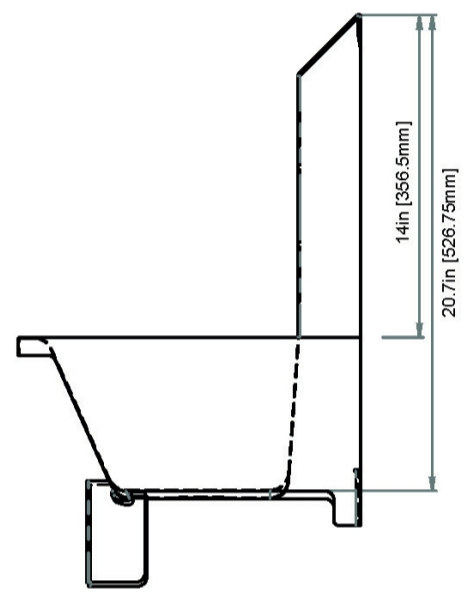
Unless otherwise specified:
Dimensions are in inches [mm]
Surface finish:
Tolerances: imperial [metric (±15)]
Linear: x.xx 0.2 (.xxx 0.01)
Angular: xx' 010



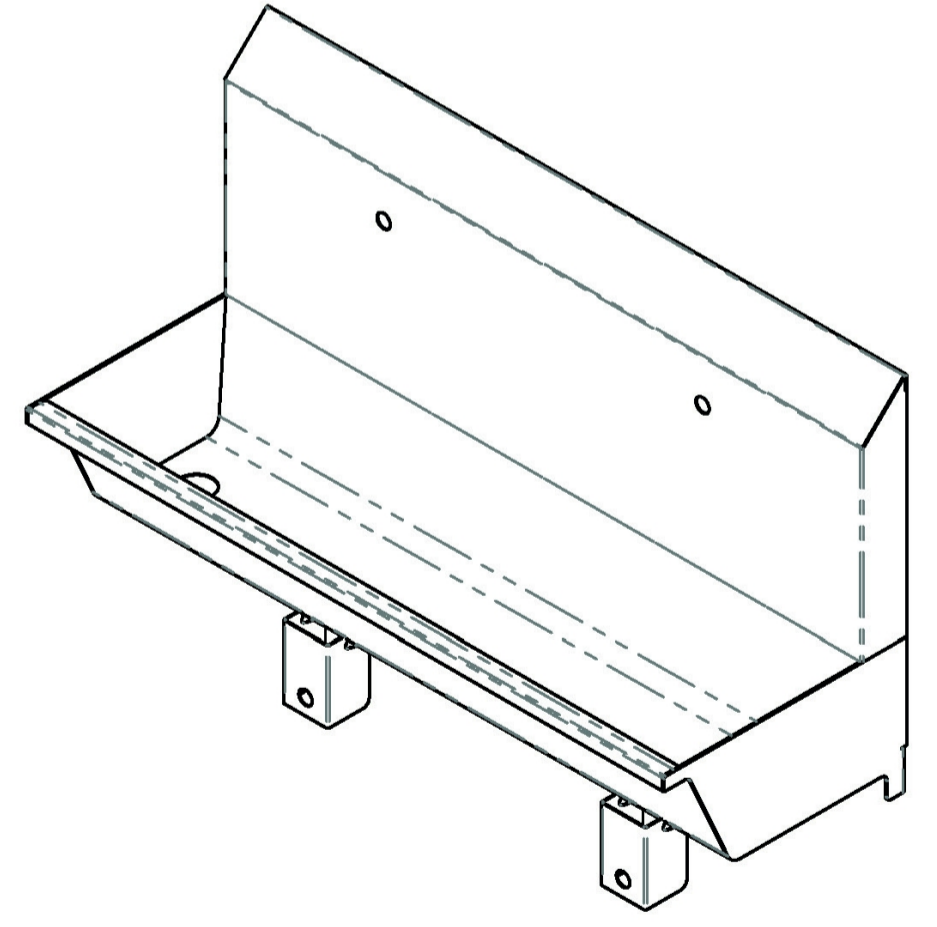
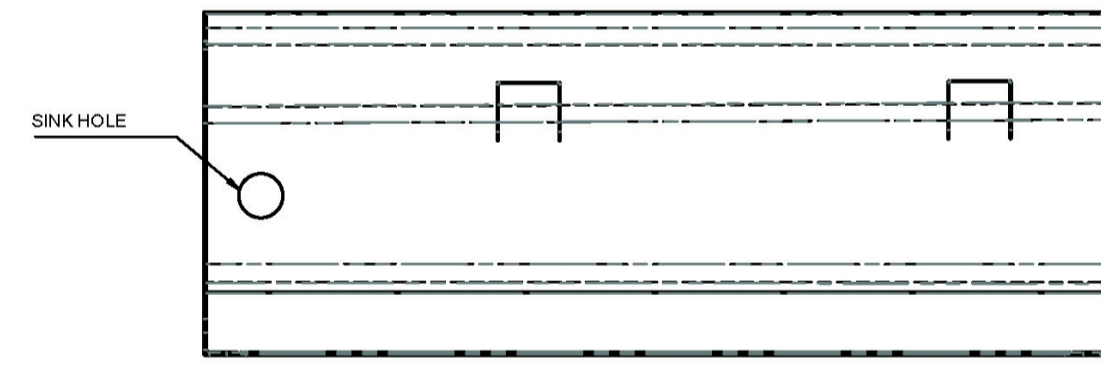
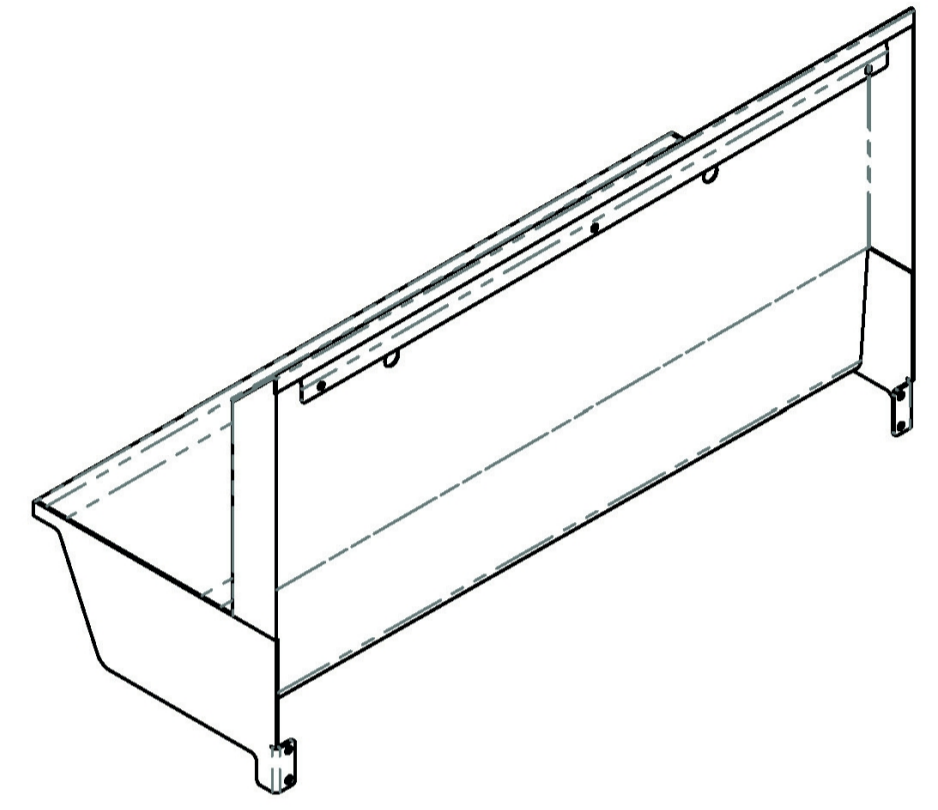
DRAIN END



FRONT VIEW



NON DRAIN END



D D

E E

F F

1 2 3 4 5 6 7 8

product no:
**ISCA- Hand Wash Station
2 Bay Station**

1 2 3 4 5 6 7 8

A

B

C

D

E

F

A

B

C

D

E

F

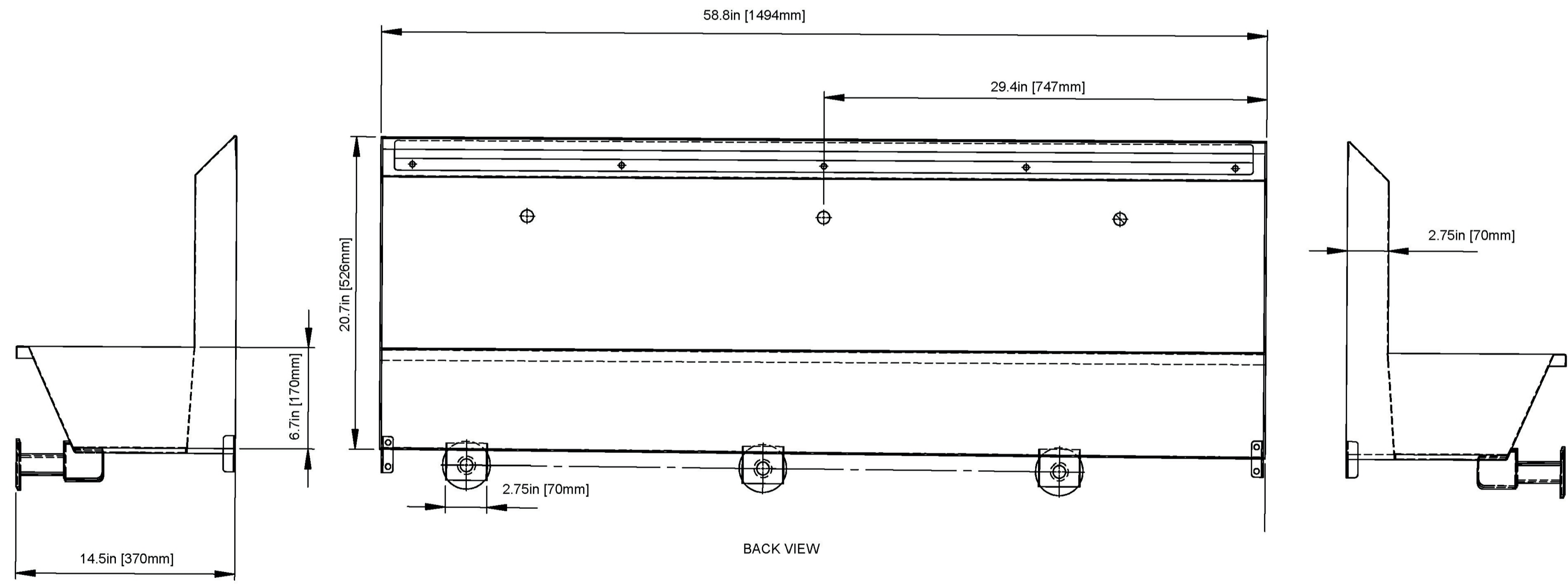
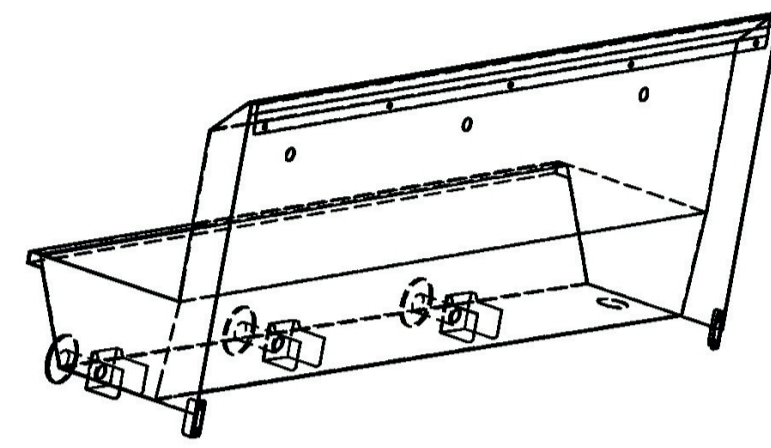
ISCA
Stainless Steel Fabrication



PROPRIETARY AND CONFIDENTIAL

The information contained in this drawing is the sole property of ISCA
Any reproduction, in part or as a whole, without the written permission of ISCA is prohibited.

Unless otherwise specified:
Dimensions are in inches [mm]
Surface finish:
Tolerances: imperial [metric(±15)]
Linear: x.xx 0.2 (.xxx 0.01)
Angular: xx' 010



product no:
**ISCA- Hand Wash Station
3 Bay Station**

1 2 3 4 5 6 7 8

1 2 3 4 5 6 7 8

A

A

ISCA
Stainless Steel Fabrication

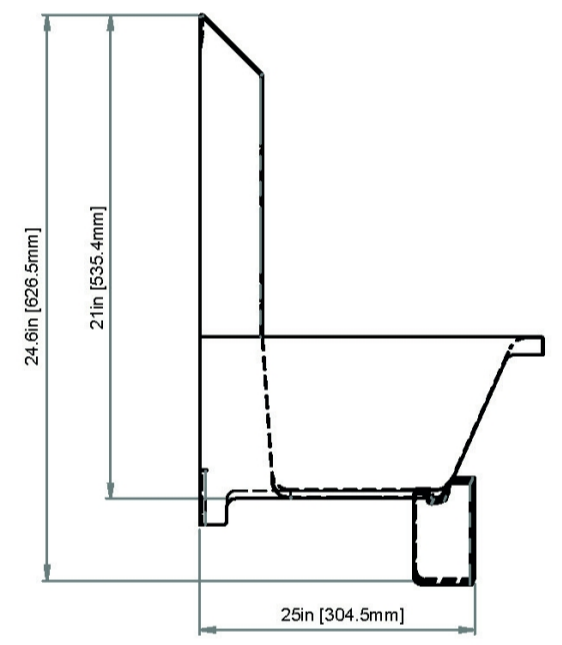


PROPRIETARY AND CONFIDENTIAL
The information contained in this drawing is the sole property of ISCA
Any reproduction, in part or as a whole, without the written permission of ISCA is prohibited.

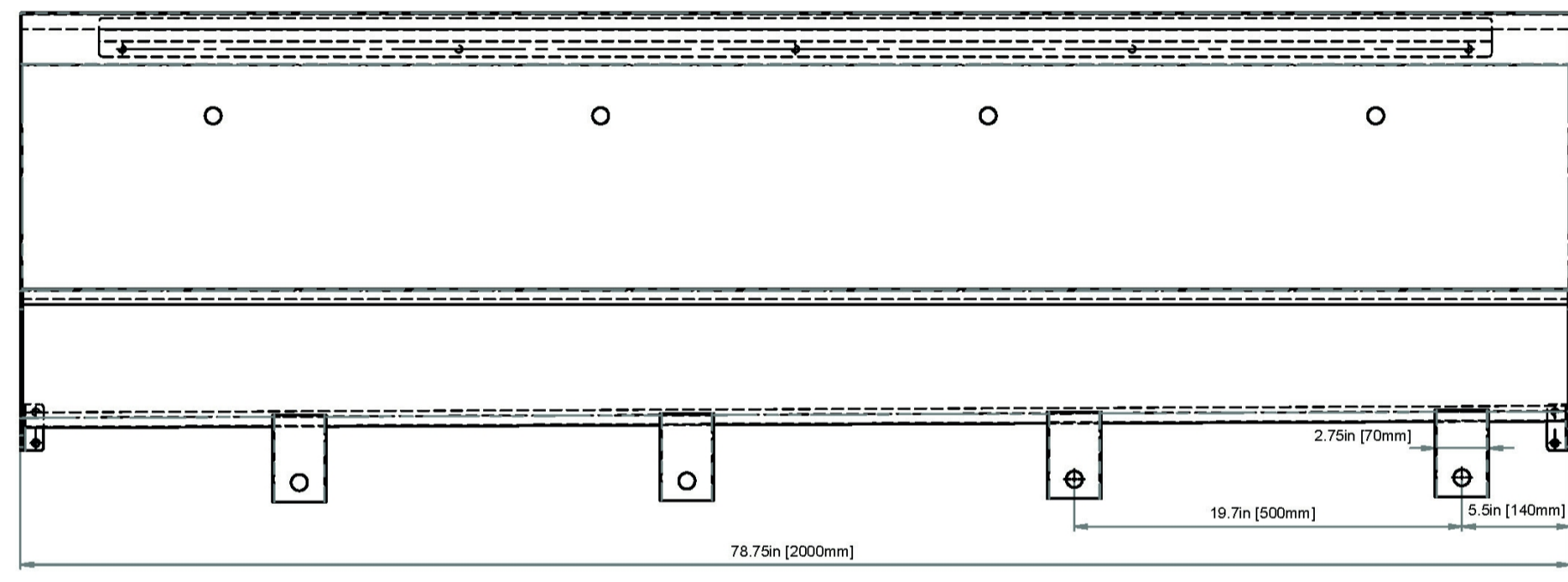
Unless otherwise specified:
Dimensions are in inches [mm]
Surface finish:
Tolerances: imperial [metric (±15)]
Linear: x.xx 0.2 (.xxx 0.01)
Angular: xx' 010

B

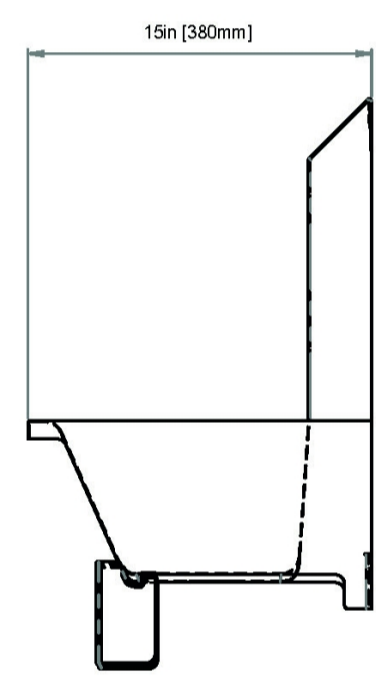
B



DRAIN END



FRONT VIEW



NON DRAIN END

C

C

D

D

E

E



F

F

1 2 3 4 5 6 7 8

product no:
**ISCA- Hand Wash Station
4 Bay Station**

1 2 3 4 5 6 7 8

A

A

ISCA
Stainless Steel Fabrication

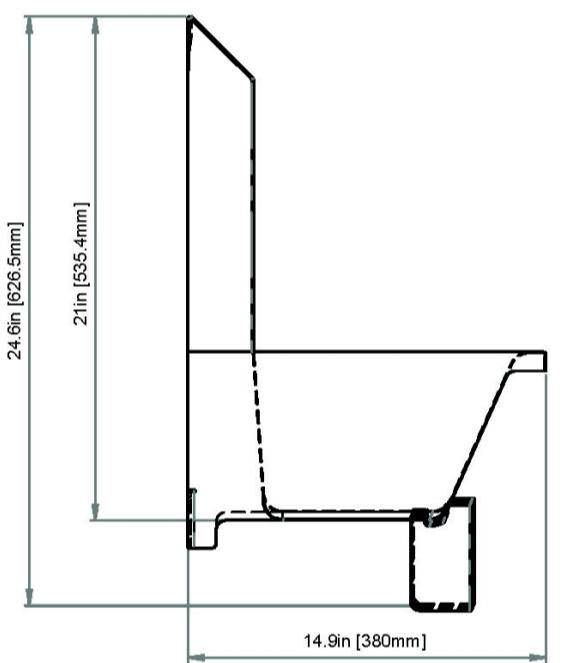


PROPRIETARY AND CONFIDENTIAL
The information contained in this drawing is the sole property of ISCA
Any reproduction, in part or as a whole, without the written permission of ISCA is prohibited.

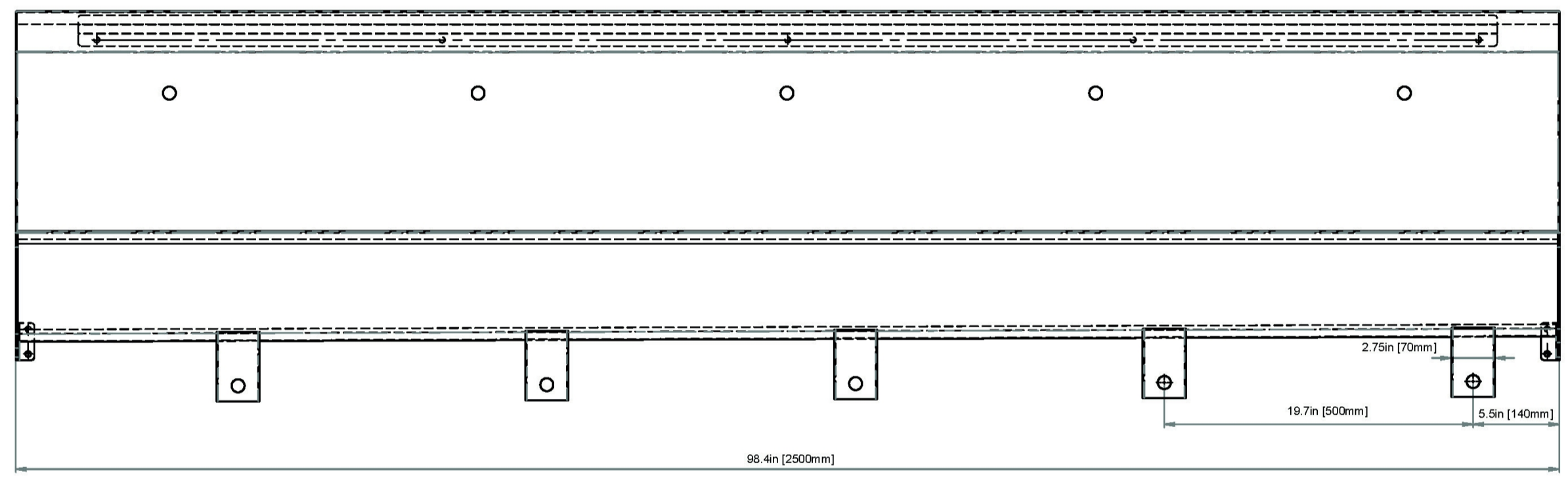
Unless otherwise specified:
Dimensions are in inches [mm]
Surface finish:
Tolerances: imperial [metric (+15)]
Linear: x.xx 0.2 (.xxx 0.01)
Angular: xx' 010

B

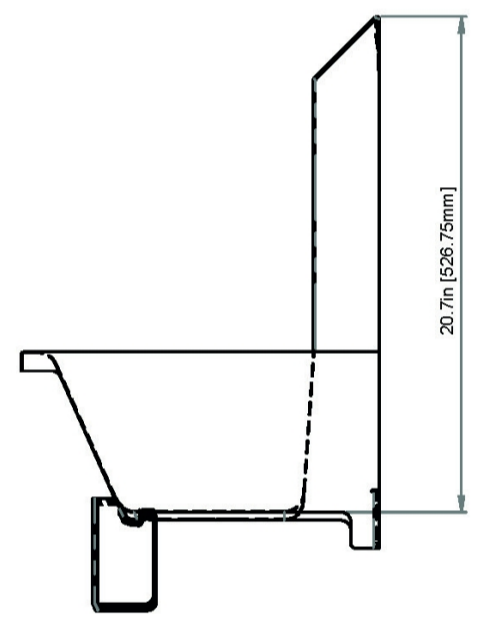
B



DRAIN END



FRONT VIEW



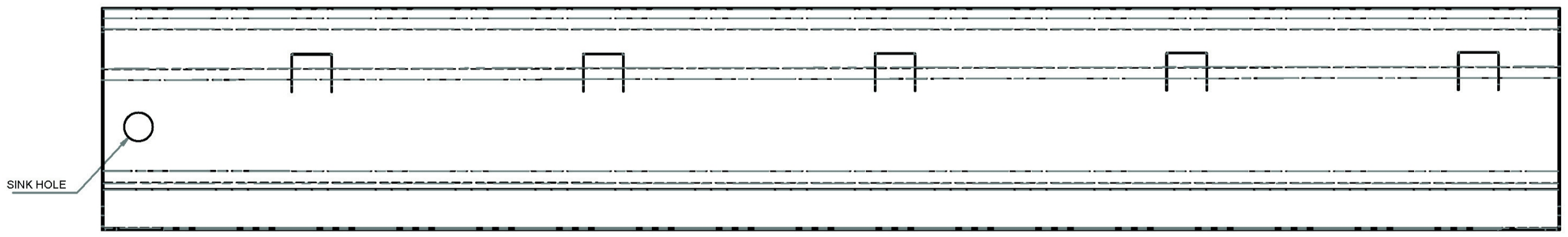
NON DRAIN END

D

D

E

E



SINK HOLE

F

F

1 2 3 4 5 6 7 8

product no:
**ISCA- Hand Wash Station
5 Bay Station**

1 2 3 4 5 6 7 8

A

A

ISCA
Stainless Steel Fabrication

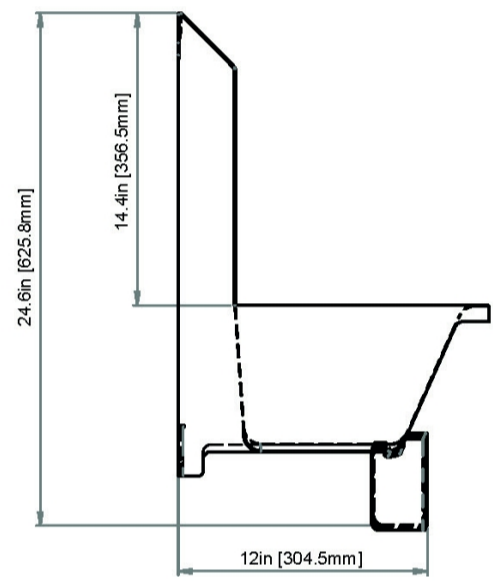


PROPRIETARY AND CONFIDENTIAL
The information contained in this drawing is the sole property of ISCA
Any reproduction, in part or as a whole, without the written permission of ISCA is prohibited.

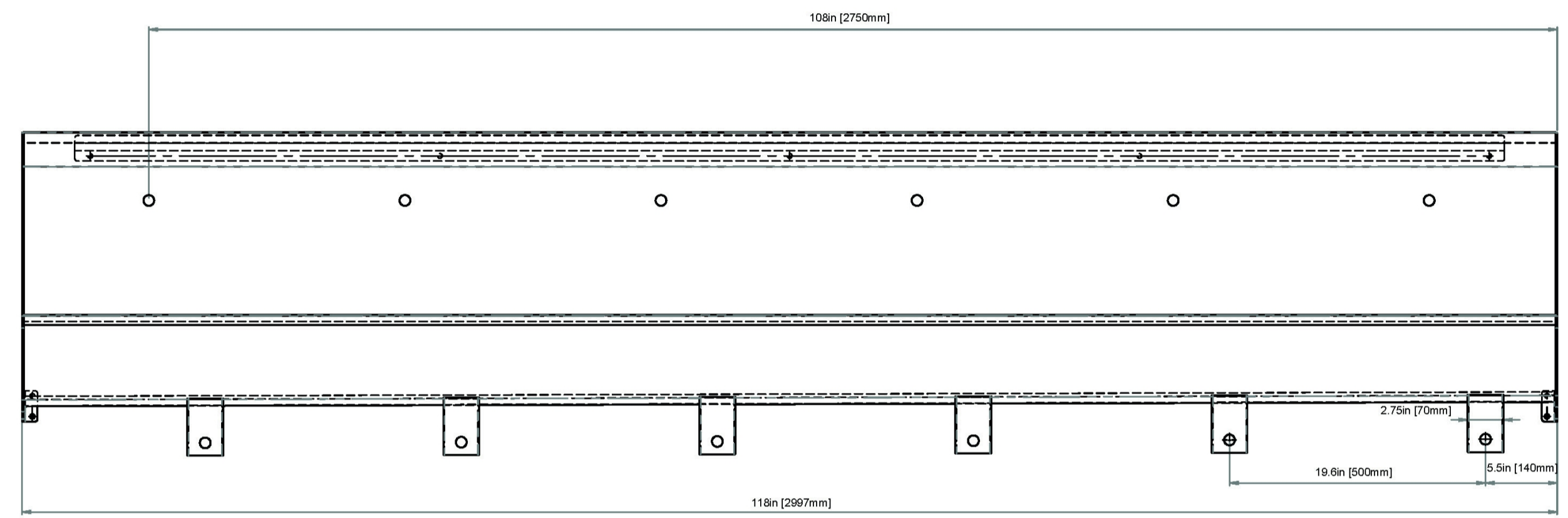
Unless otherwise specified:
Dimensions are in inches [mm]
Surface finish:
Tolerances: imperial [metric(±15)]
Linear: x.xx 0.2 (.xxx 0.01)
Angular: xx' 010

B

B



DRAIN END



FRONT VIEW

D

D

E

E



SINK HOLE

F

F

1 2 3 4 5 6 7 8

product no:
**ISCA- Hand Wash Station
6 Bay Station**

1 2 3 4 5 6 7 8

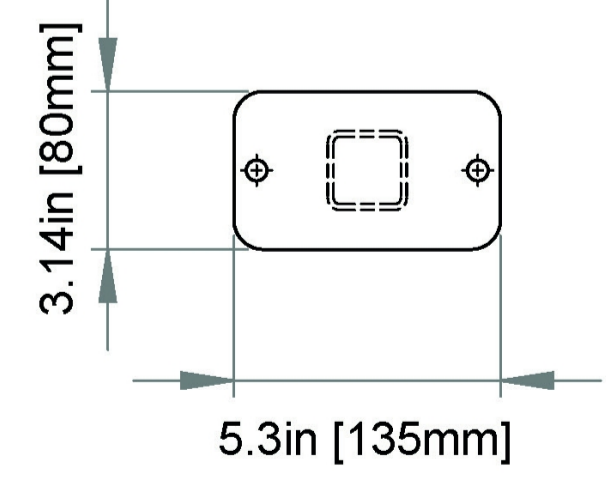
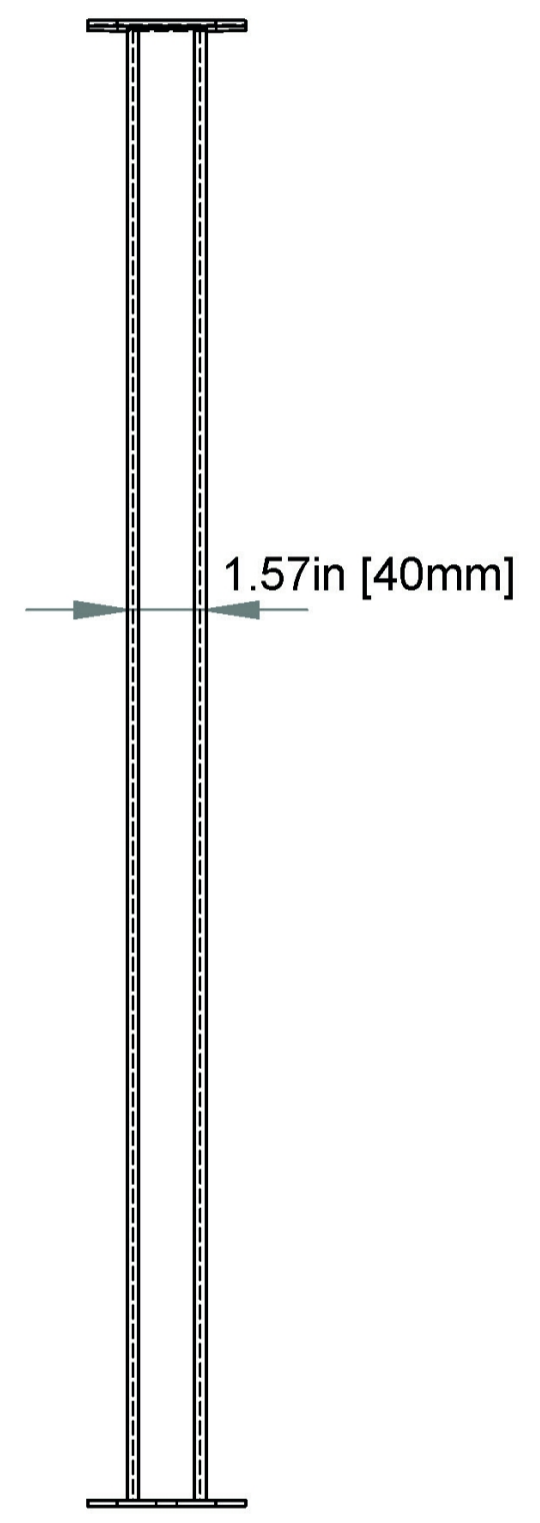
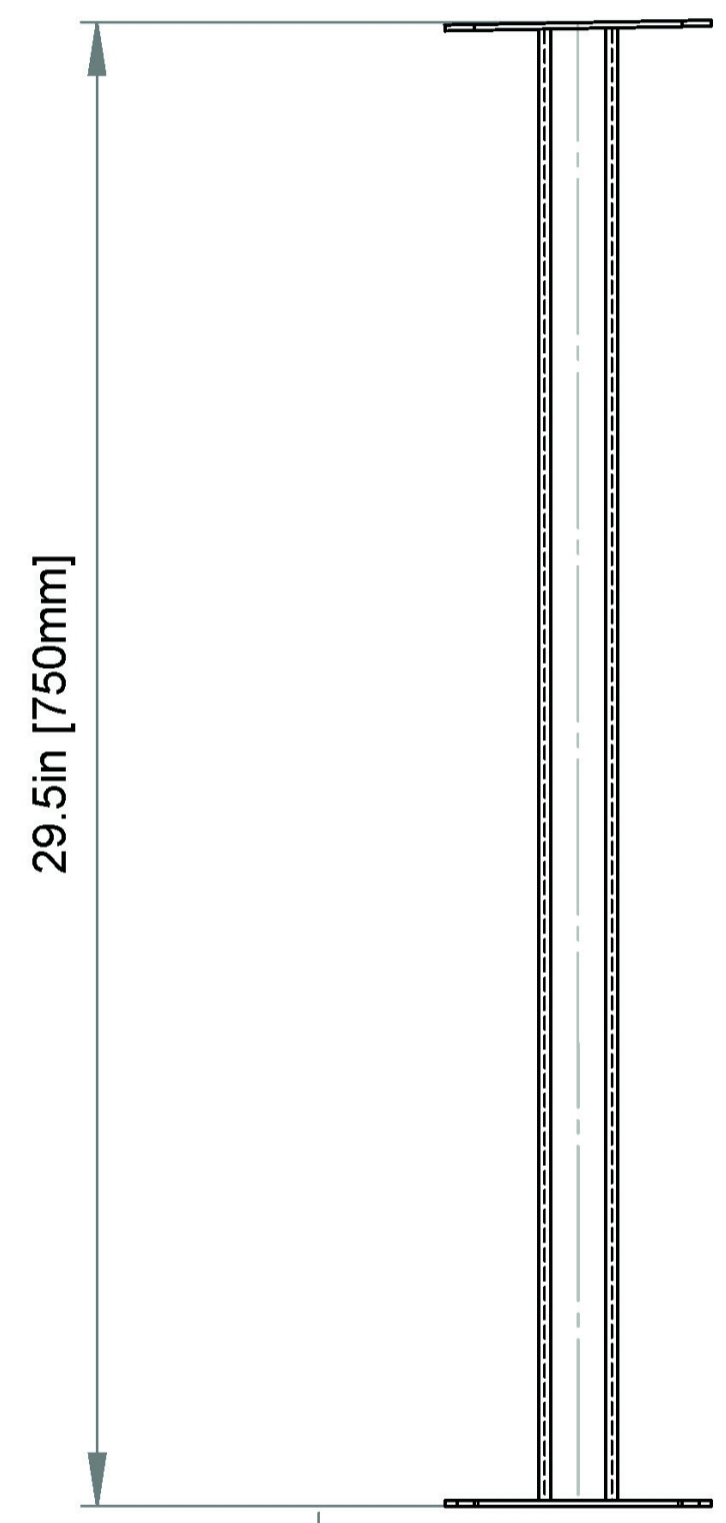
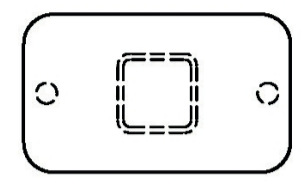
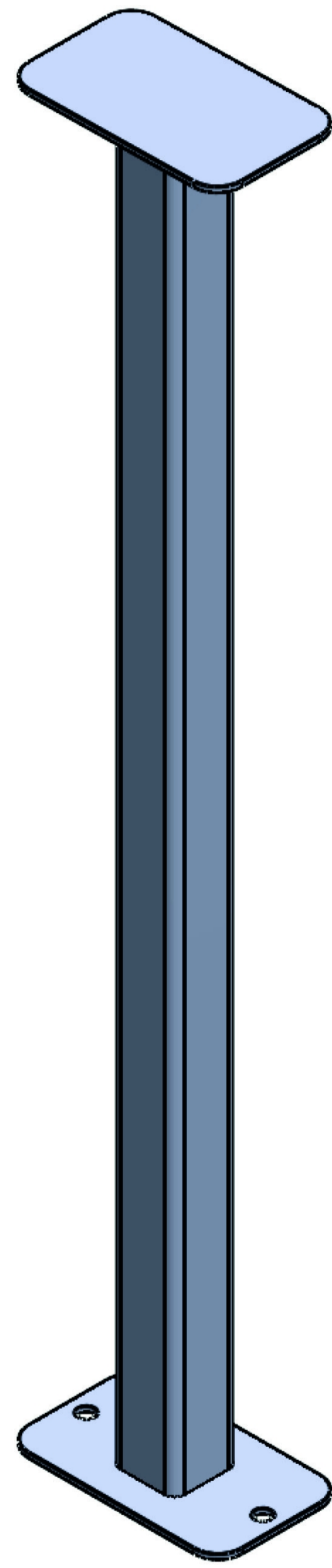
A
B
C
D
E
F



ISCA
Stainless Steel Fabrication

PROPRIETARY AND CONFIDENTIAL
The information contained in this drawing is the sole property of ISCA
Any reproduction, in part or as a whole, without the written permission of ISCA is prohibited.

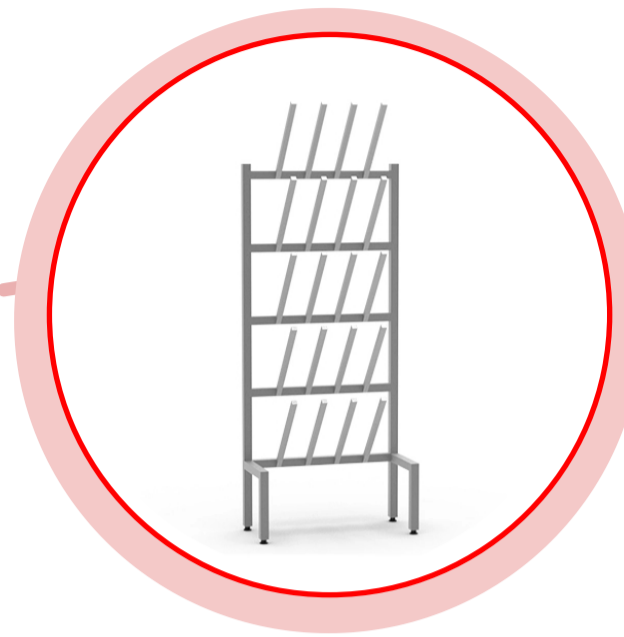
Unless otherwise specified:
Dimensions are in inches [mm]
Surface finish:
Tolerances: imperial [metric(±15)]
Linear: x.xx 0.2 (.xxx 0.01)
Angular: xx' 010



product no:
ISCA - Stainless Steel Platform

1 2 3 4 5 6 7 8

Footwear storage



Workwear storage



**ISCA's
Hygiene
Equipment
Solutions**

Hygiene entrance stations



Manual bootwashers



Hand washing



Automatic boot washers