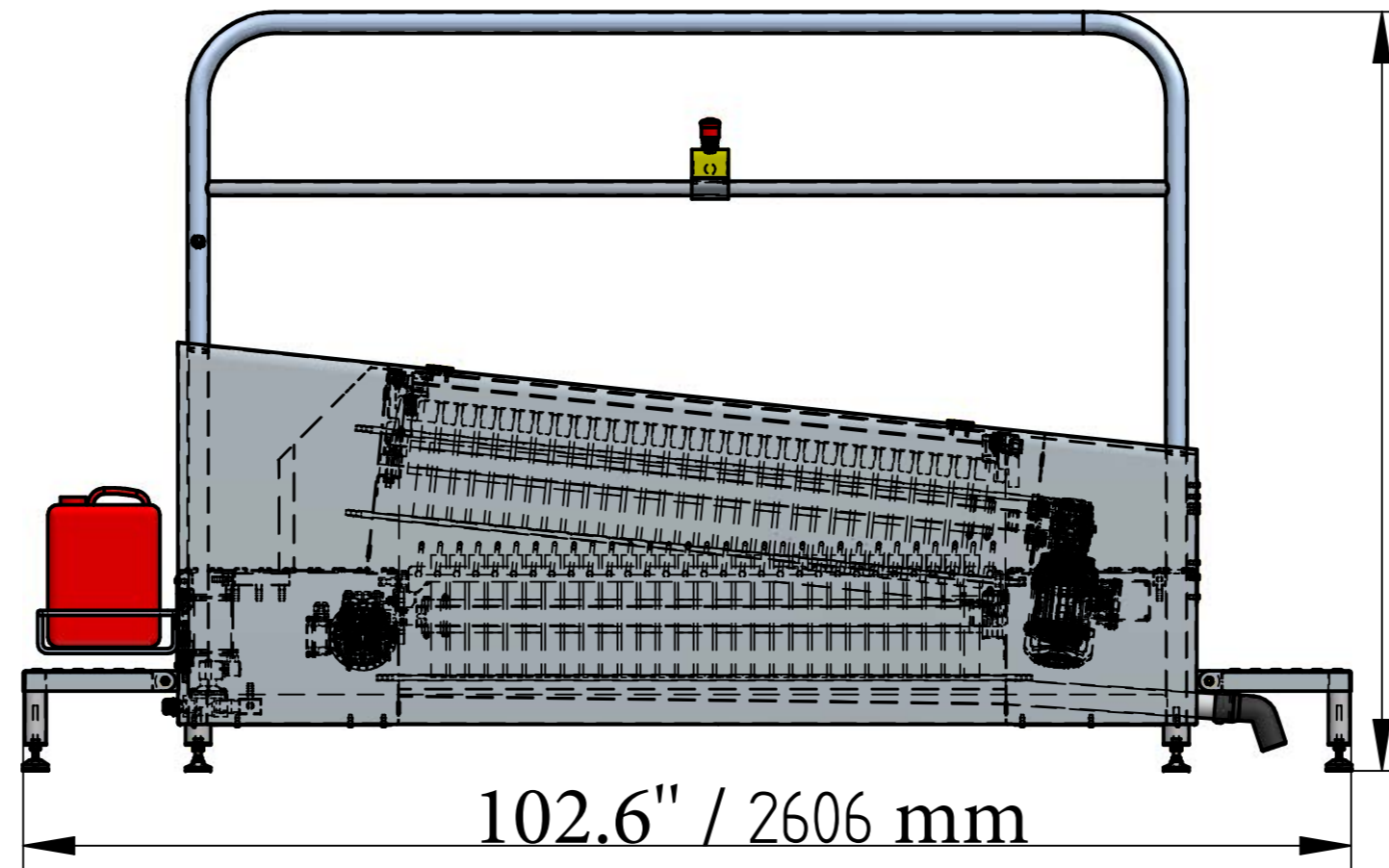
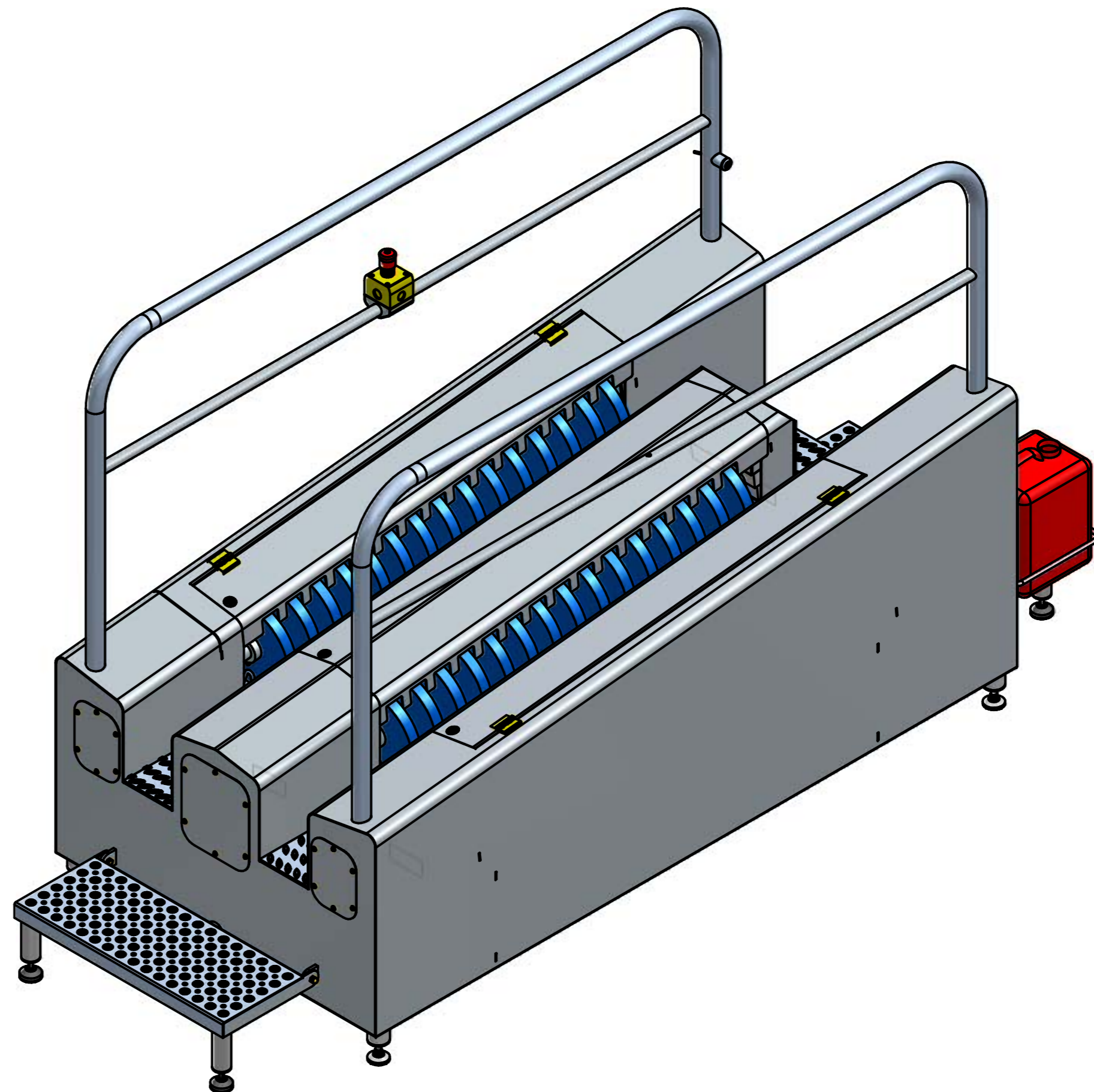
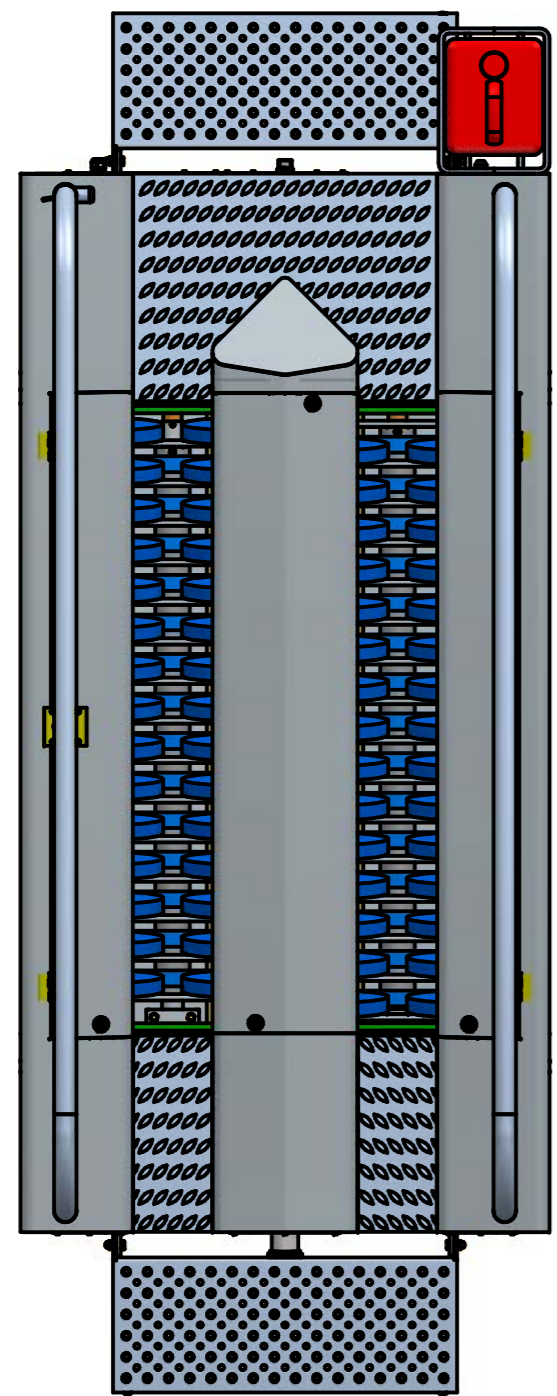
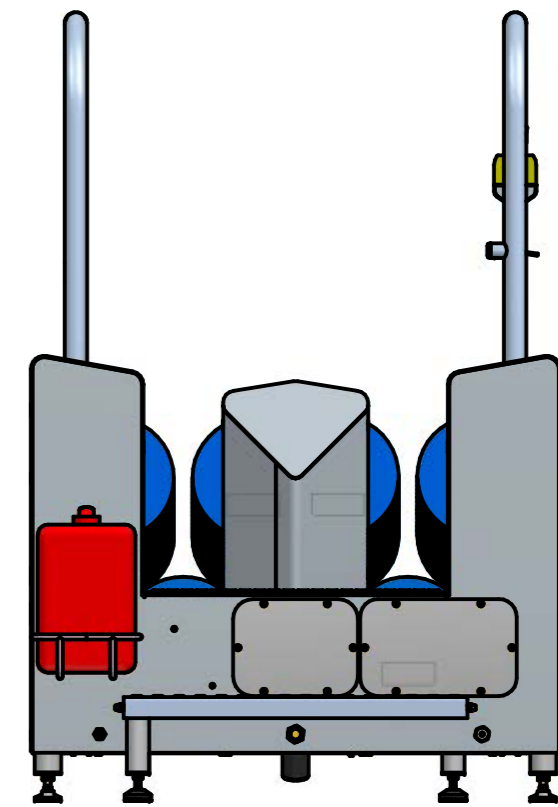


39.3" / 1000 mm



57.8" / 1491 mm

102.6" / 2606 mm



UNLESS OTHERWISE SPECIFIED
DIMENSIONS ARE IN MILLIMETERS
ANGLES ±X.X°
2 PL ±XXX 3 PL ±XXXX