

Features

A heavy-duty stainless steel apron storage rack for the storage and air drying of nylon aprons in the food industry.

Features:

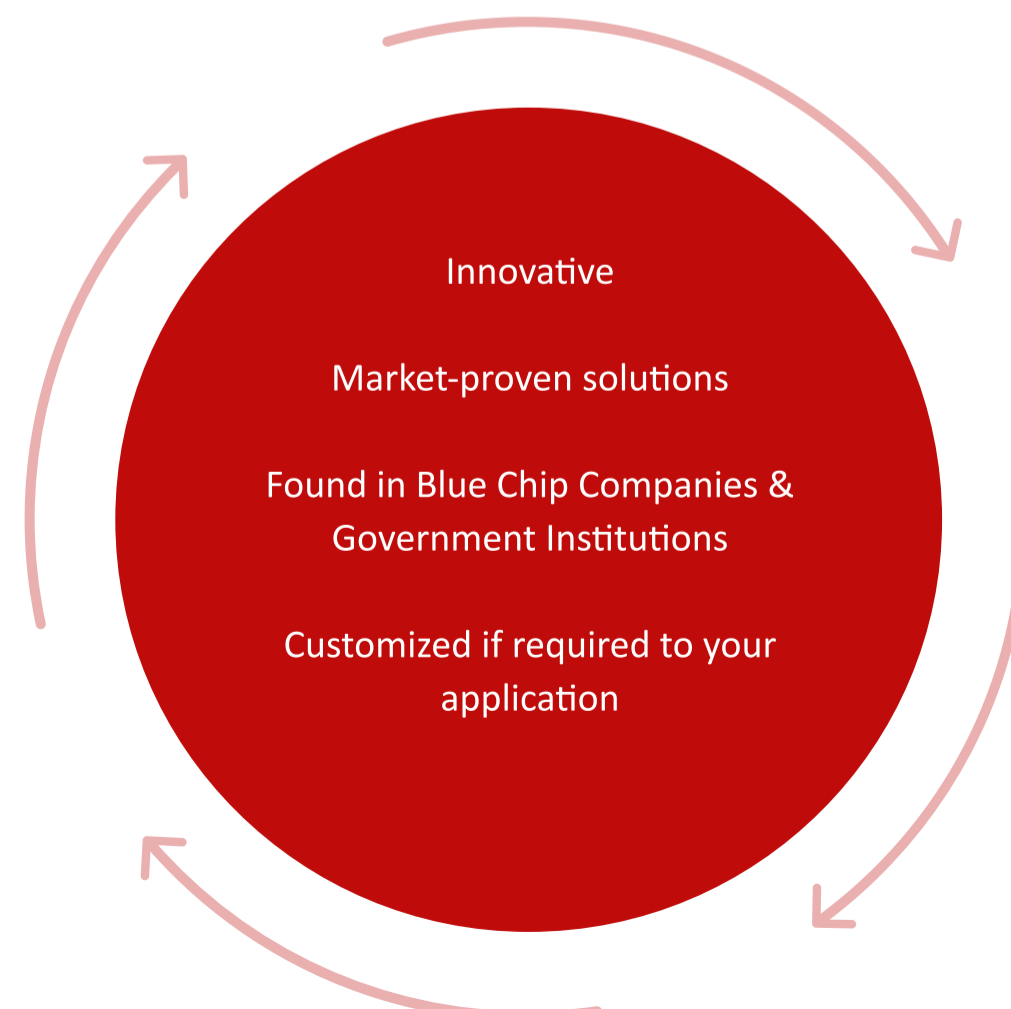
- Stainless steel Grade 304
- Adjustable leg height
- Rod A-Frame hangers

Technical Specifications

-Stainless steel grade 304

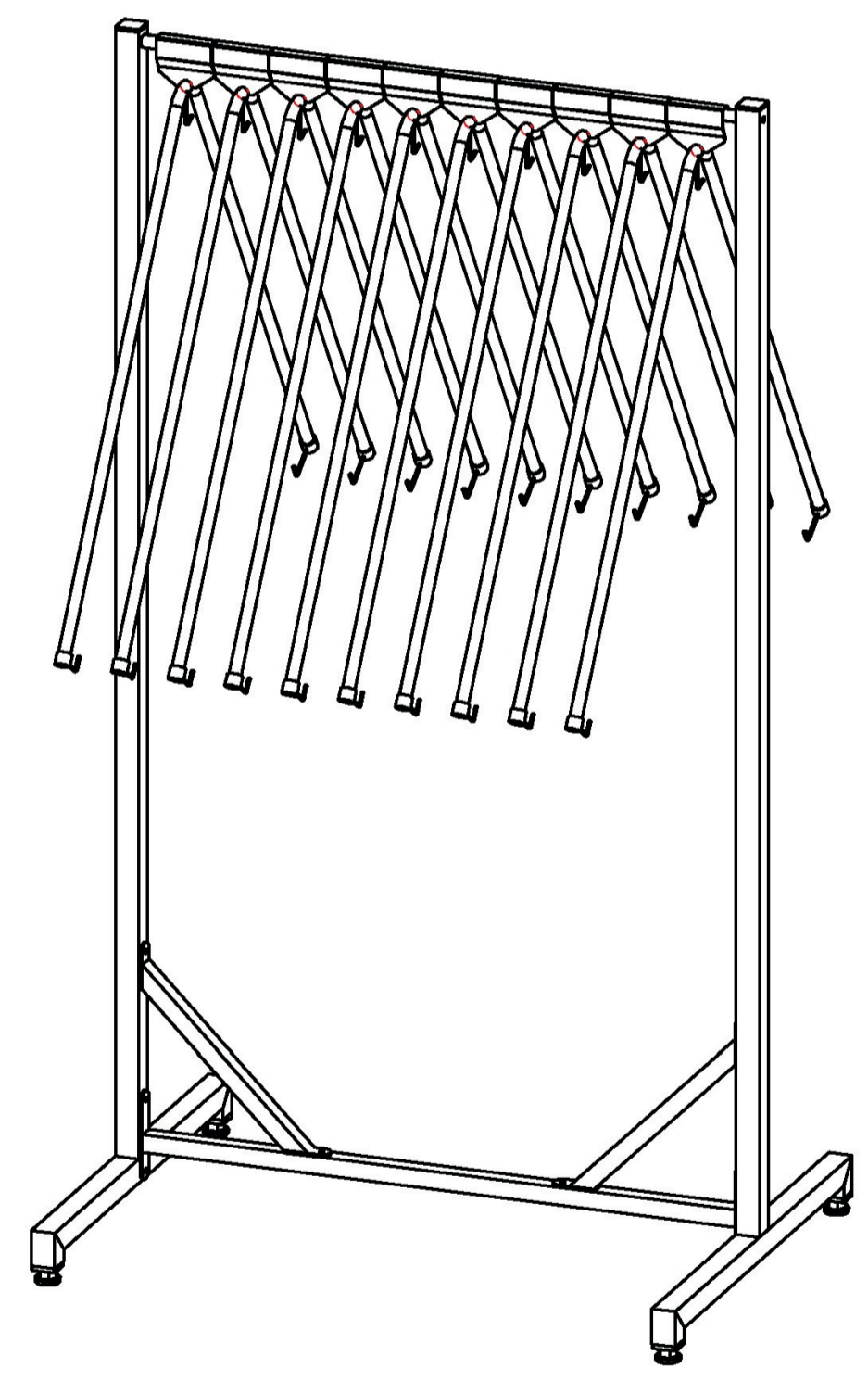
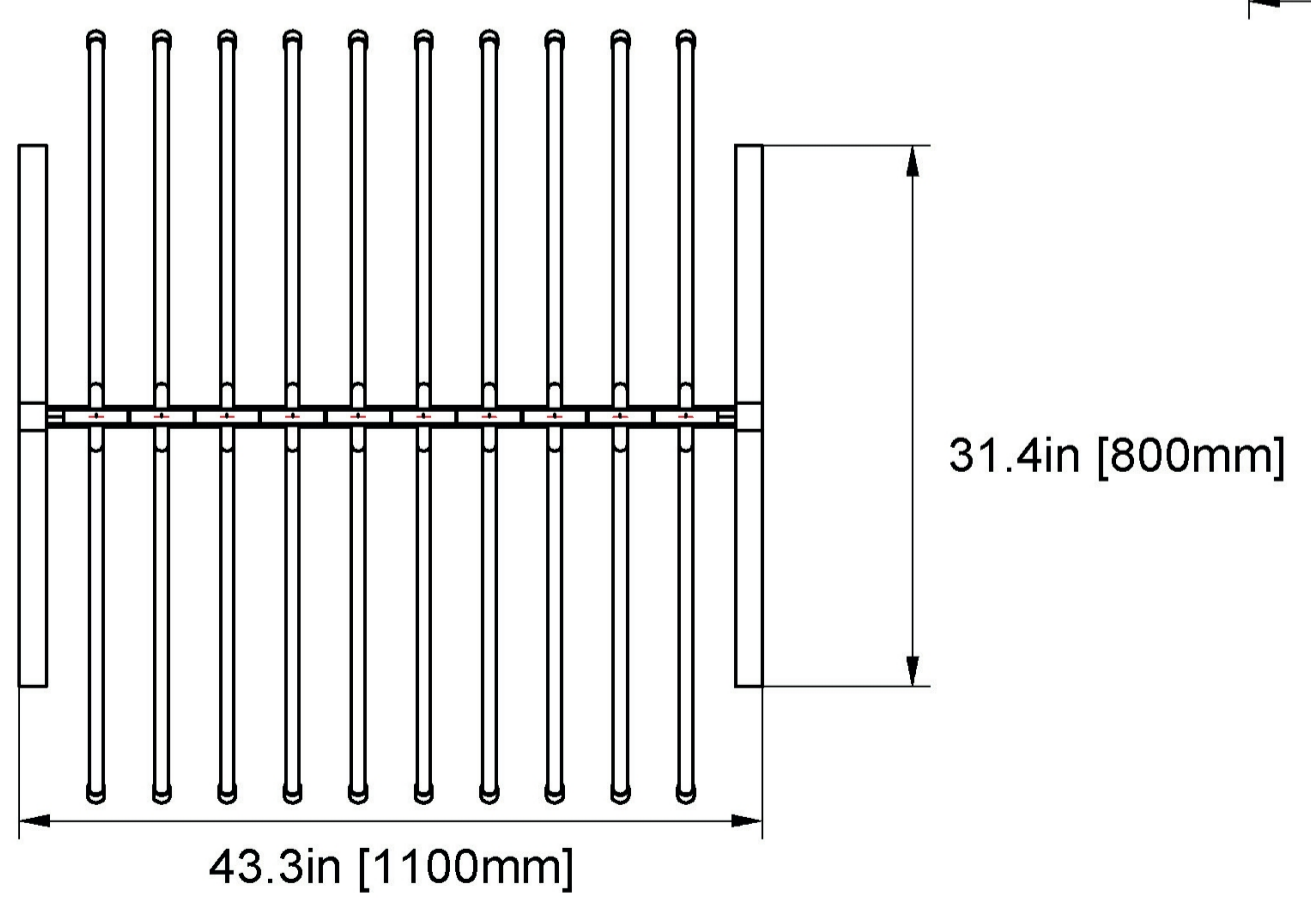
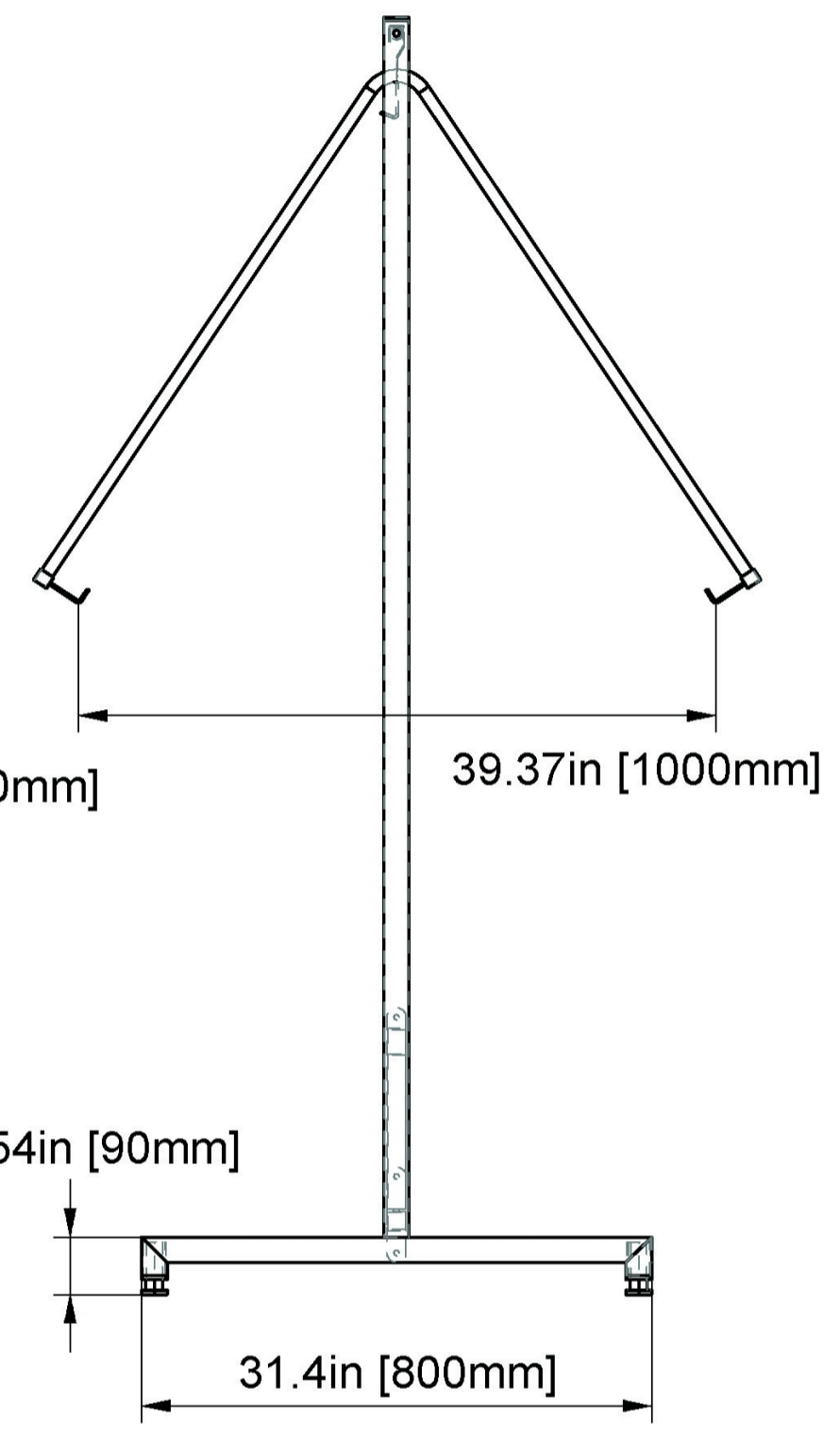
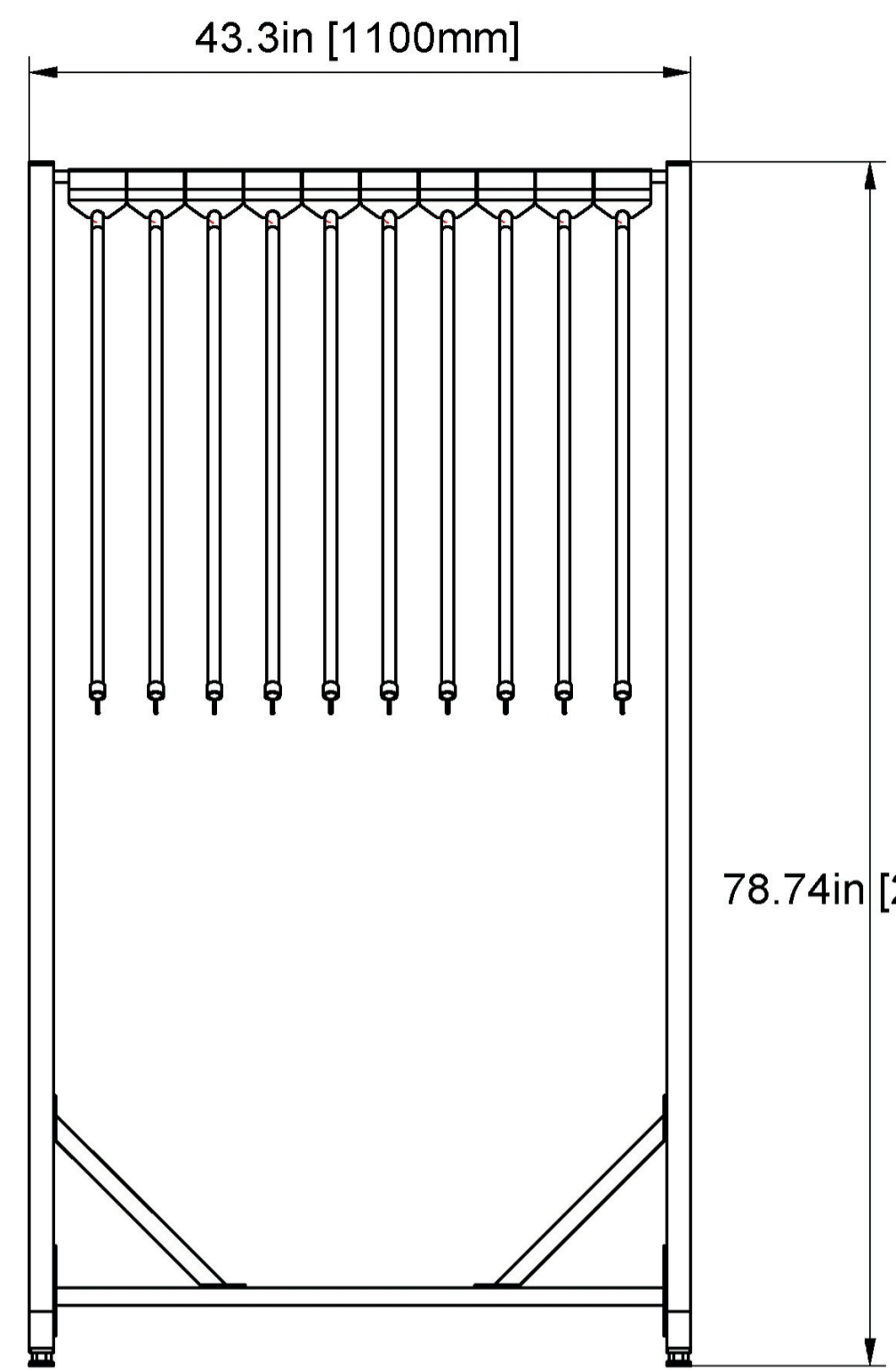
Customized options available

- 10 apron set frame – dimensions: 1100 x 800 x 2000 mm
- 20 apron set frame – dimensions: 2050 x 800 x 2000 mm



1 2 3 4 5 6 7 8

A
B
C
D
E
F



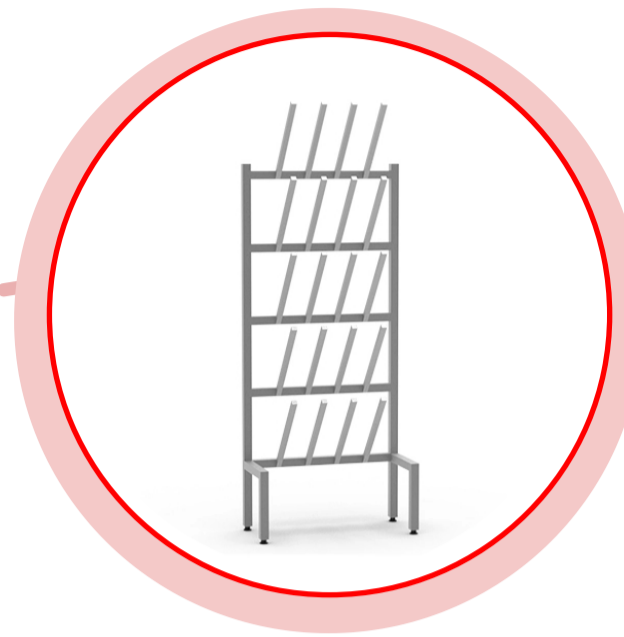
PROPRIETARY AND CONFIDENTIAL
 The information contained in this drawing is the sole property of ISCA
 Any reproduction, in part or as a whole, without the written permission of ISCA is prohibited.

Unless otherwise specified:
 Dimensions are in inches [mm]
 Surface finish:
 Tolerances: imperial [metric(±15)]
 Linear: x.xx 0.2 (.xxx 0.01)
 Angular: xx' 010

product no:
ISCA - Stainless Steel Apron Storage Rack

1 2 3 4 5 6 7 8

Footwear storage



Workwear storage



**ISCA's
Hygiene
Equipment
Solutions**

Hygiene entrance stations



Manual bootwashers



Hand washing



Automatic boot washers