

Features

An automatic walk-through boot sole washer for hygienic entrance corridors entering into production areas. For cleaning the soles of footwear. Designed for a high throughput of personnel.

Features:

- Stainless steel Grade 304
- Welded body
- Adjustable leg height

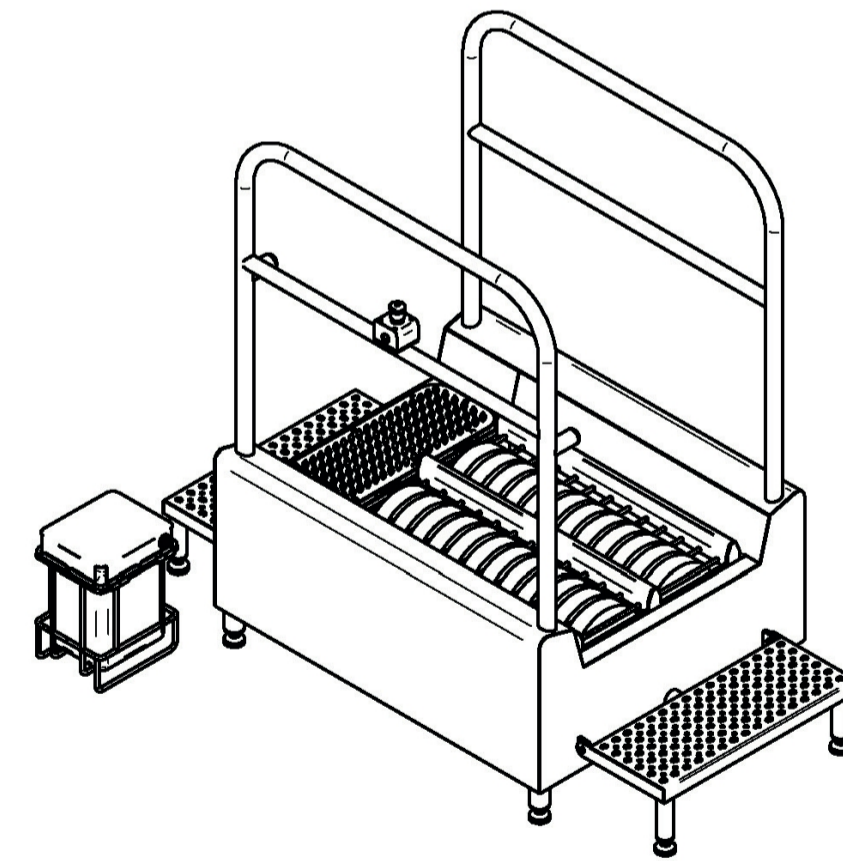
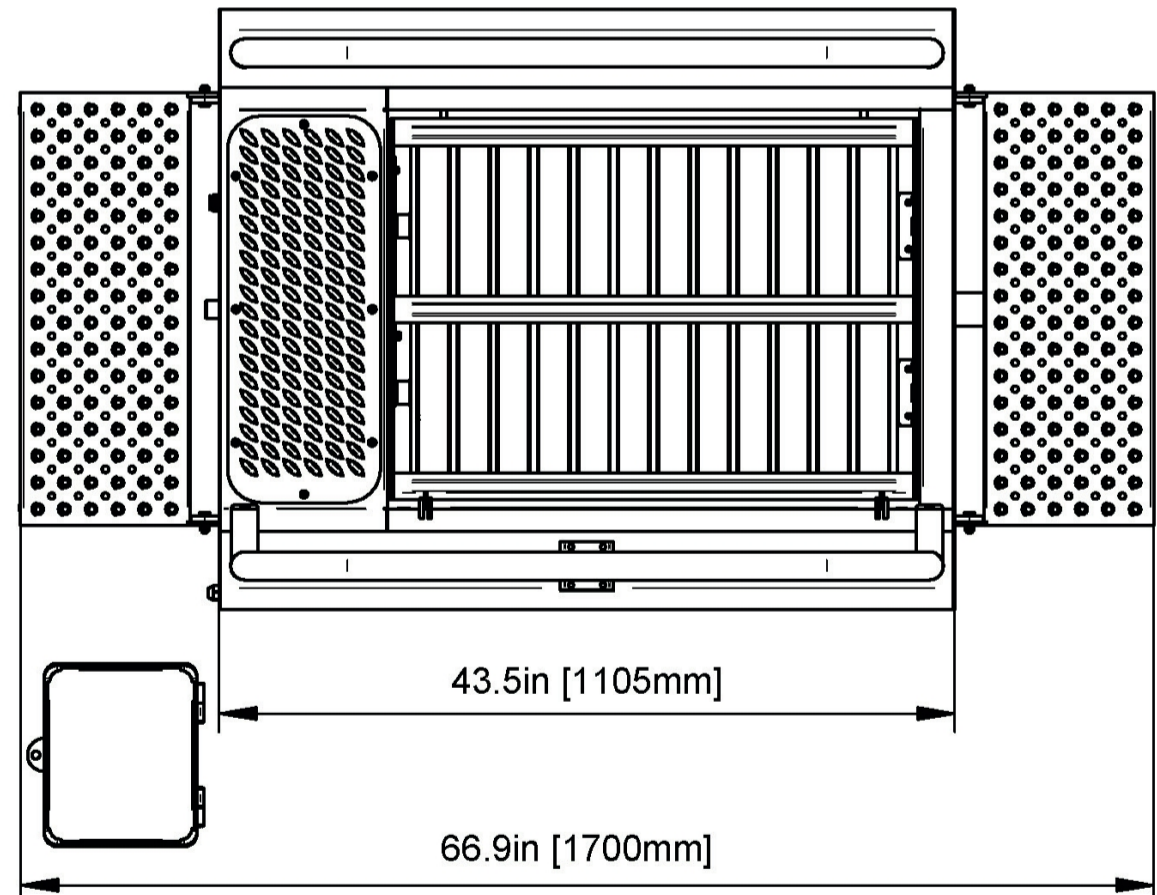
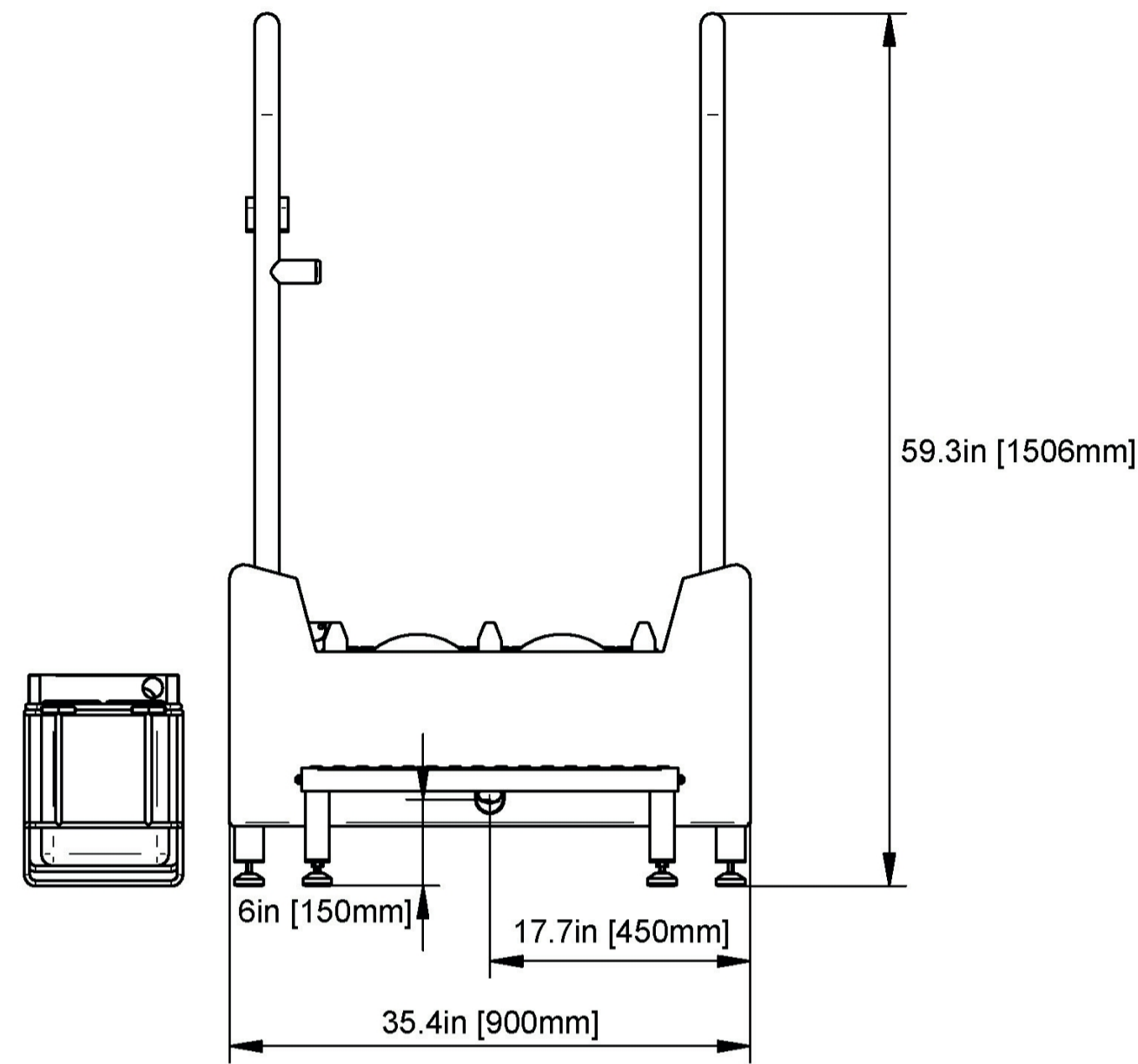
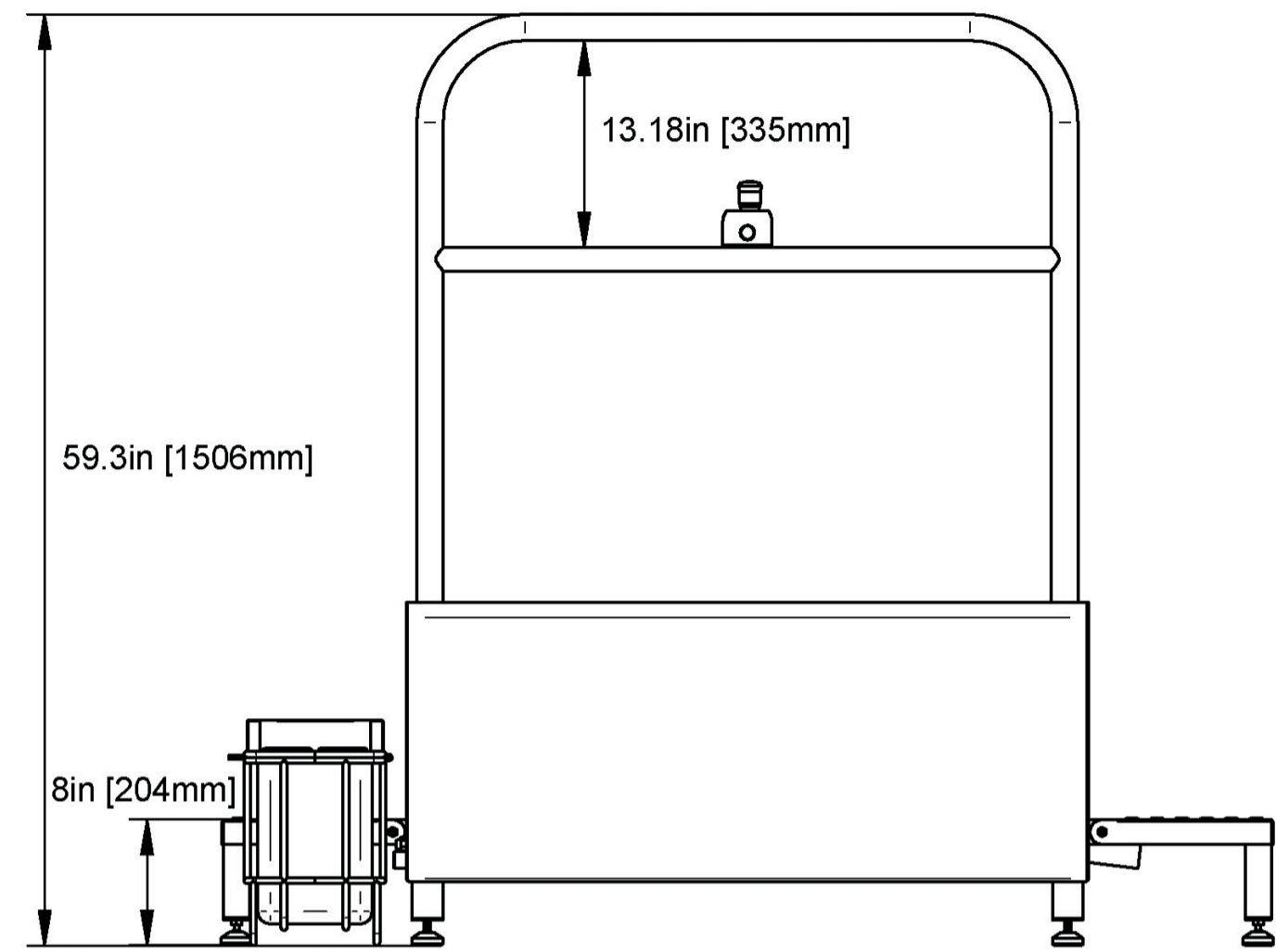
Technical Specifications

- Dimensions: 1700 x 900 x 1506 mm
- Power supply 480V AC, 60 Hz
- Installed power 0,6 kW
- Water supply 3/4"
- Wastewater outflow diam. 50mm



1 2 3 4 5 6 7 8

A
B
C
D
E
F



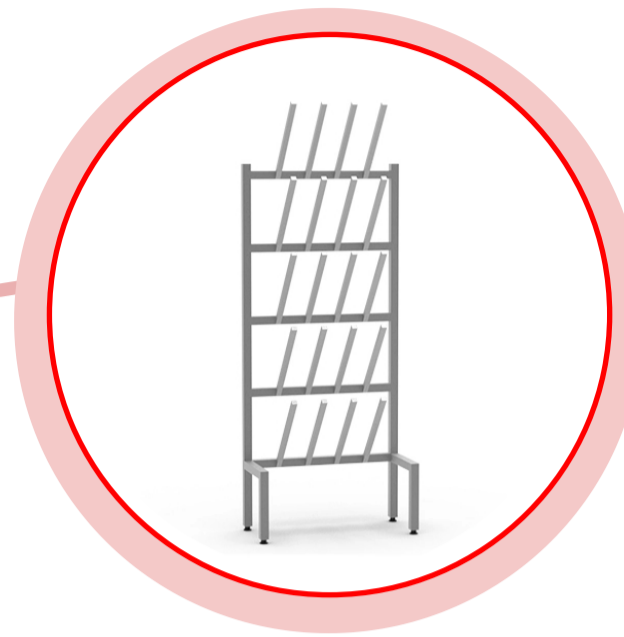
PROPRIETARY AND CONFIDENTIAL
 The information contained in this drawing is the sole property of ISCA
 Any reproduction, in part or as a whole, without the written permission of ISCA is prohibited.

Unless otherwise specified:
 Dimensions are in inches [mm]
 Surface finish:
 Tolerances: imperial [metric(±15)]
 Linear: x.xx 0.2 (.xxx 0.01)
 Angular: xx' 010

product no:
ISCA - Walkthrough Automatic Sole Washer

1 2 3 4 5 6 7 8

Footwear storage

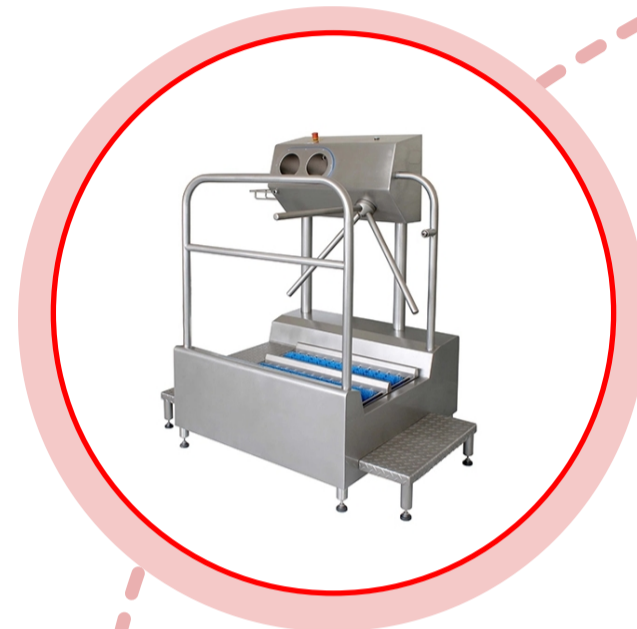


Workwear storage



**ISCA's
Hygiene
Equipment
Solutions**

Hygiene entrance stations



Manual bootwashers



Hand washing



Automatic boot washers