

## Features

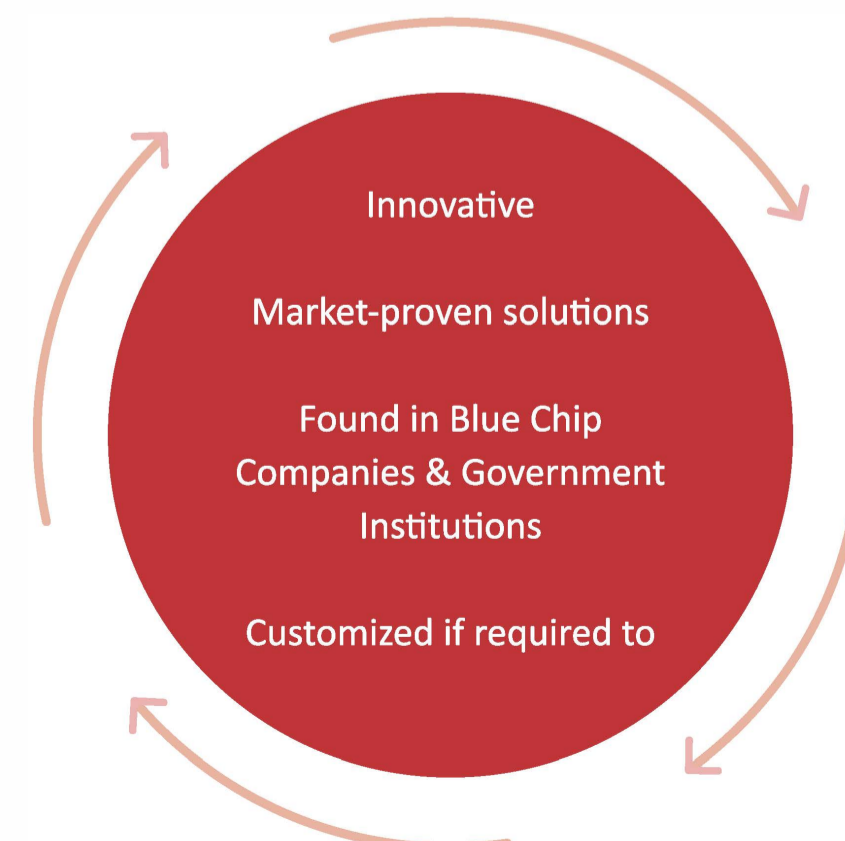
- Suitable for combo boxes, vats, tanks, gaylords
- Tipping height 39" (1000 mm)
- Tip angle 30 degrees past horizontal
- Lift capacity 2200 lb (1000 kg)
- Machine handing – Right hand side
- 304 stainless steel
- Welded construction throughout
- Hydraulic powerpack

## Technical Specifications

- Controls/orientation – Right-hand side
- Stainless steel – Grade 304
- Tipping height 39" (1000 mm)
- Lift capacity 2200 lb (1000 kg)
- Base – Mobile
- Mains supply as std – 480v 3PH 60Hz – Grounded (can be switched to 240v on site)
- Control circuit – 24V AC
- Electrical rating – IP65
- Hydraulic powerpack

## Customized options available

- Wire mesh guard
- Light curtain entry guarding
- Tip height, tip angle, lift weight capacity, box size lifting cradle
- We have 'off the shelf' machines, that can be further customized, or we can create a new solution for your specific needs.



1 2 3 4 5 6

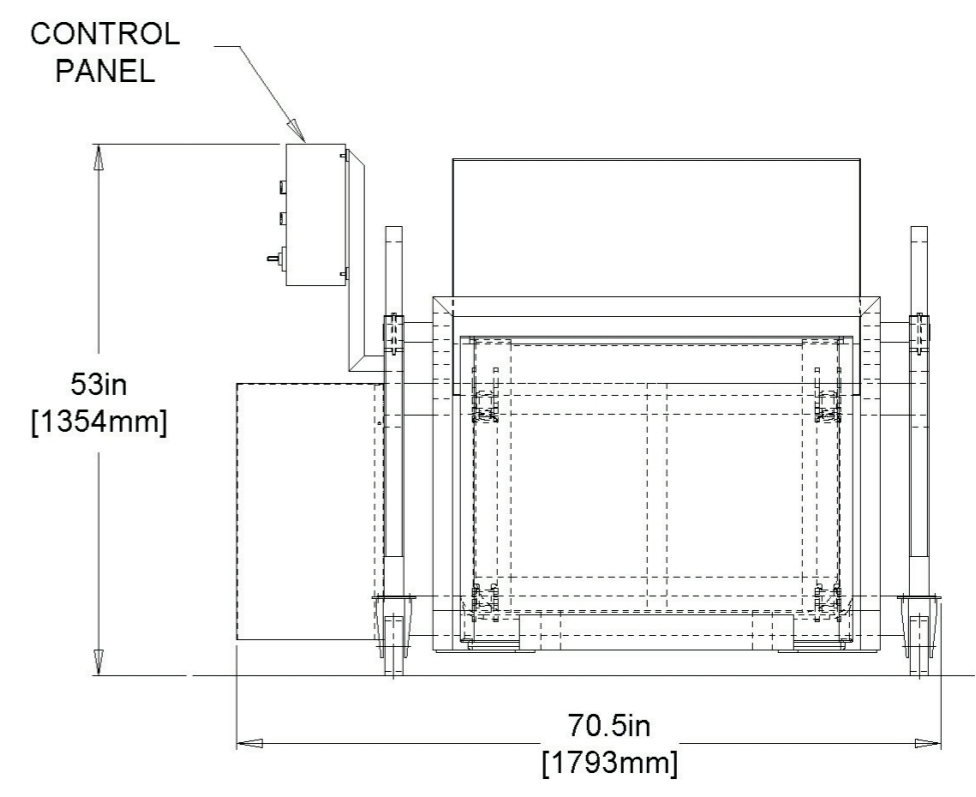
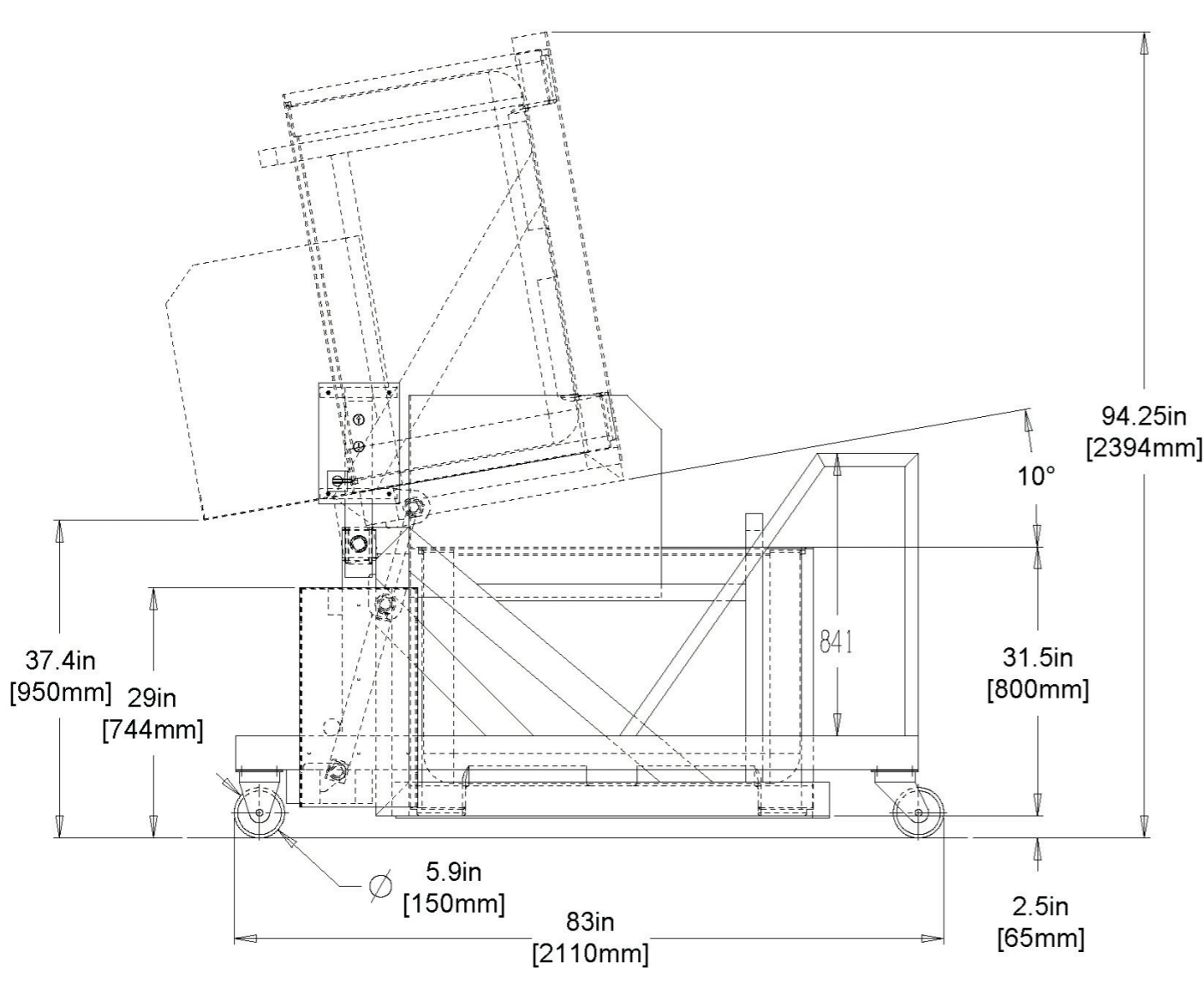
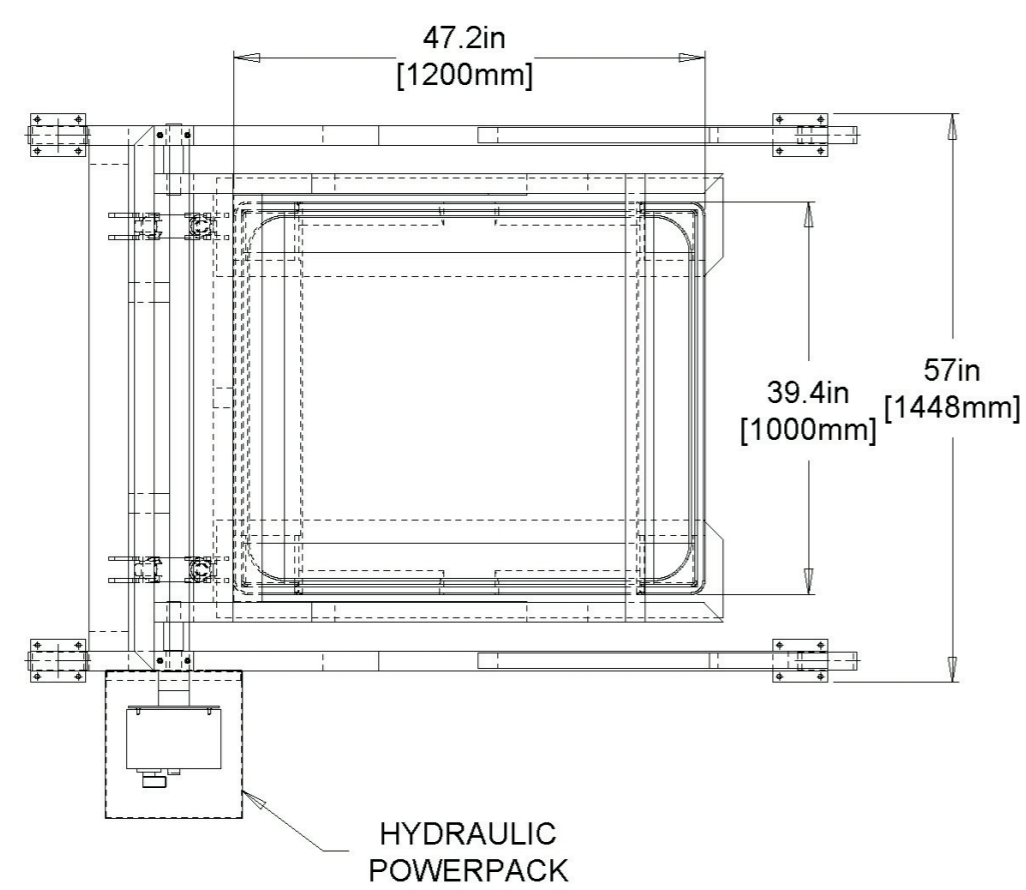
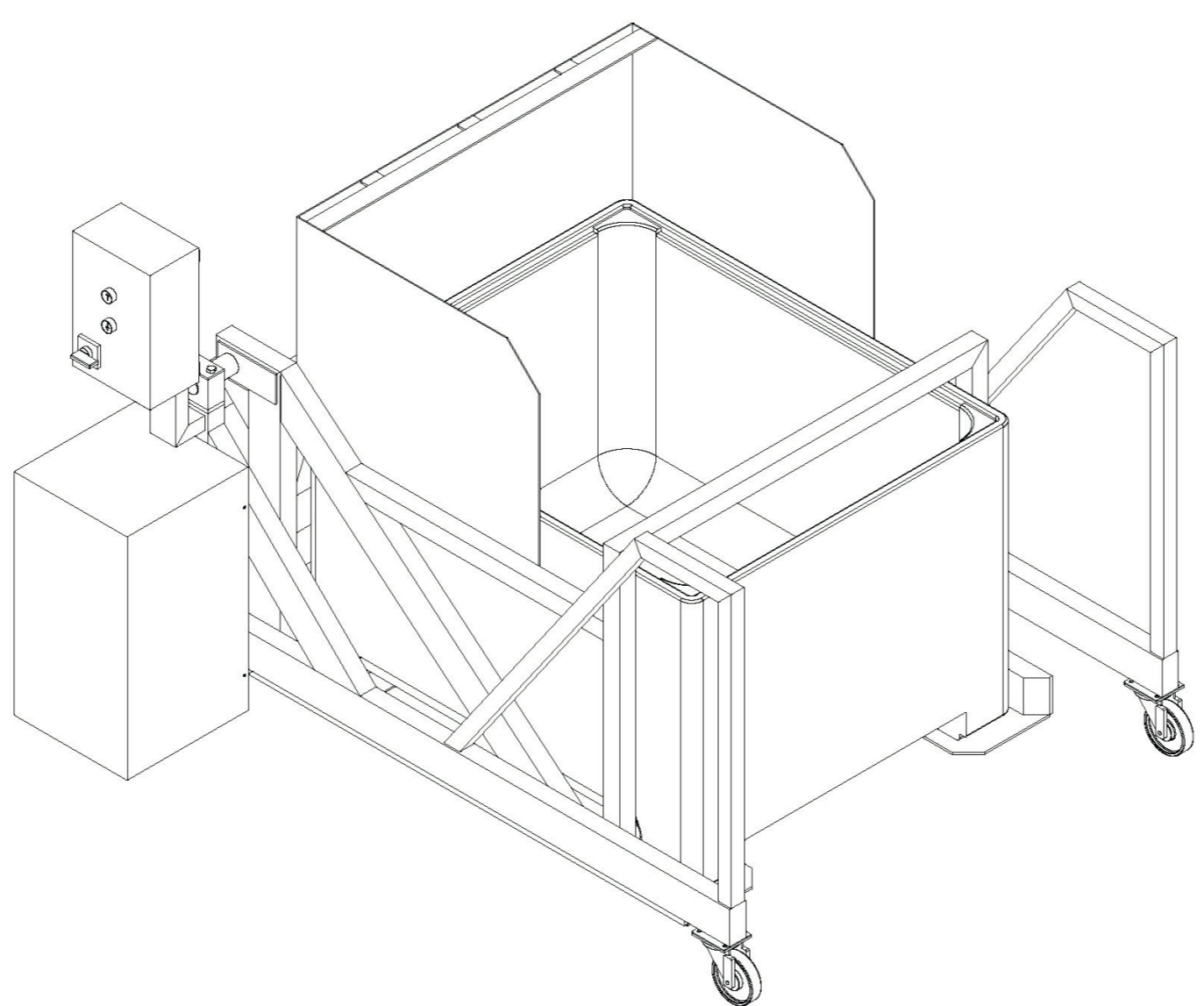
A  
B  
C  
D  
E  
F  
G  
H



ISCA  
Stainless Steel Fabrication

**PROPRIETARY AND CONFIDENTIAL**  
The information contained in this drawing is the sole property of ISCA  
Any reproduction, in part or as a whole, without the written permission of ISCA is prohibited.

Unless otherwise specified:  
Dimensions are in inches [mm]  
Surface finish:  
Tolerances: imperial [metric(±15)]  
Linear: x.xx 0.2 (xxx 0.01)  
Angular: xx' 010



product no:  
**ISCA - Combo Box  
Dumper**

1 2 3 4 5 6

A  
B  
C  
D  
E  
F  
G  
H

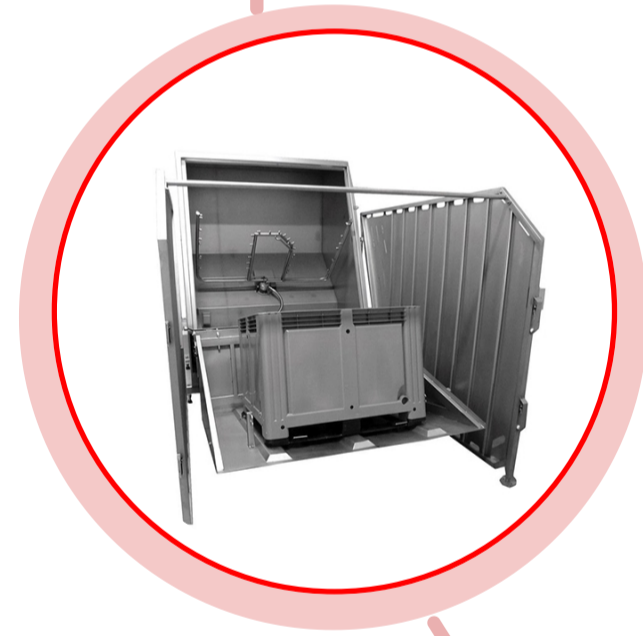
**Store**



**Transfer**



**ISCA's  
Combo Bin  
Solutions**



**Wash**



**Low-Level lift + Tip**



**High-level lift + tip**